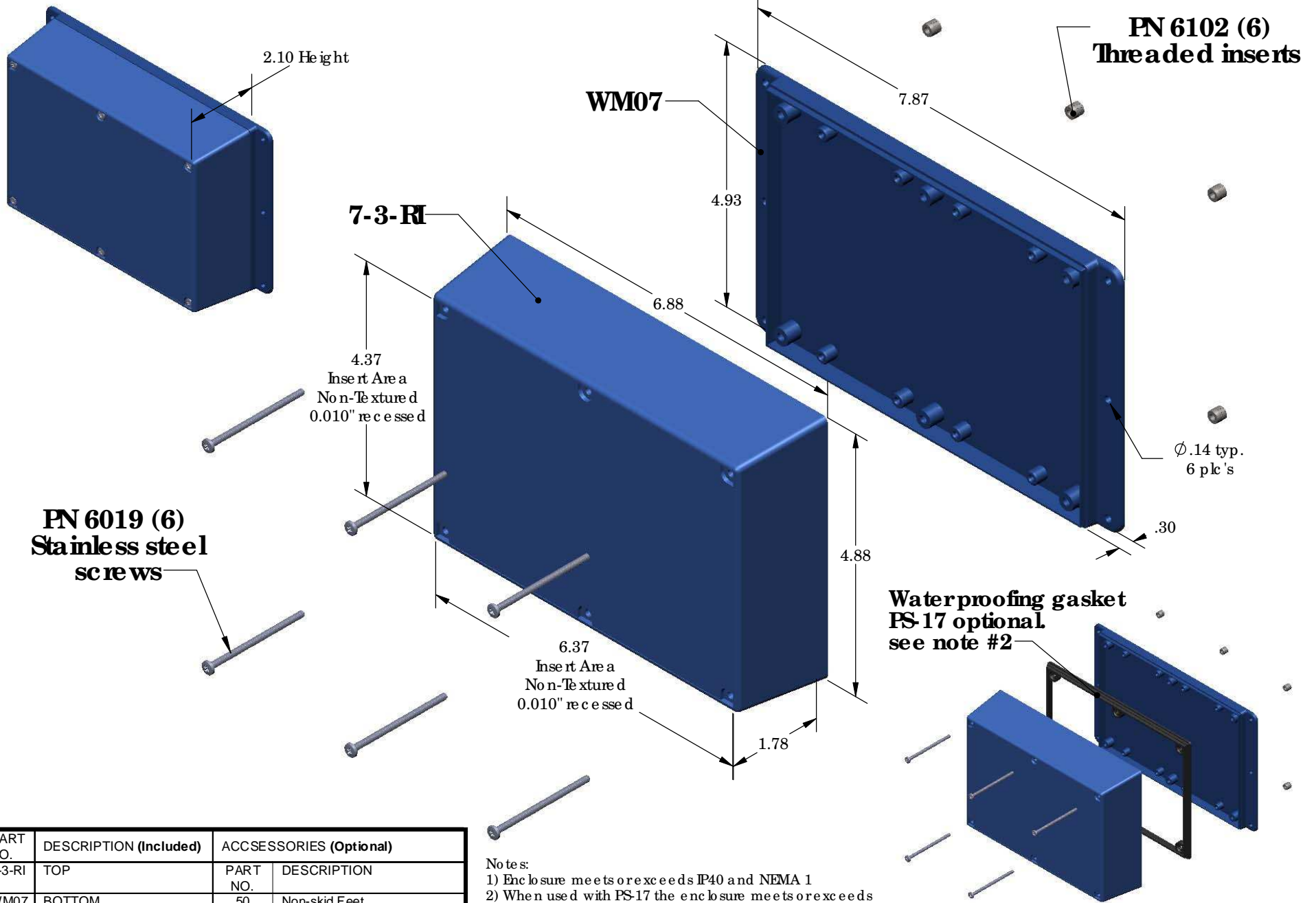


WM073-RI (exploded isometric)



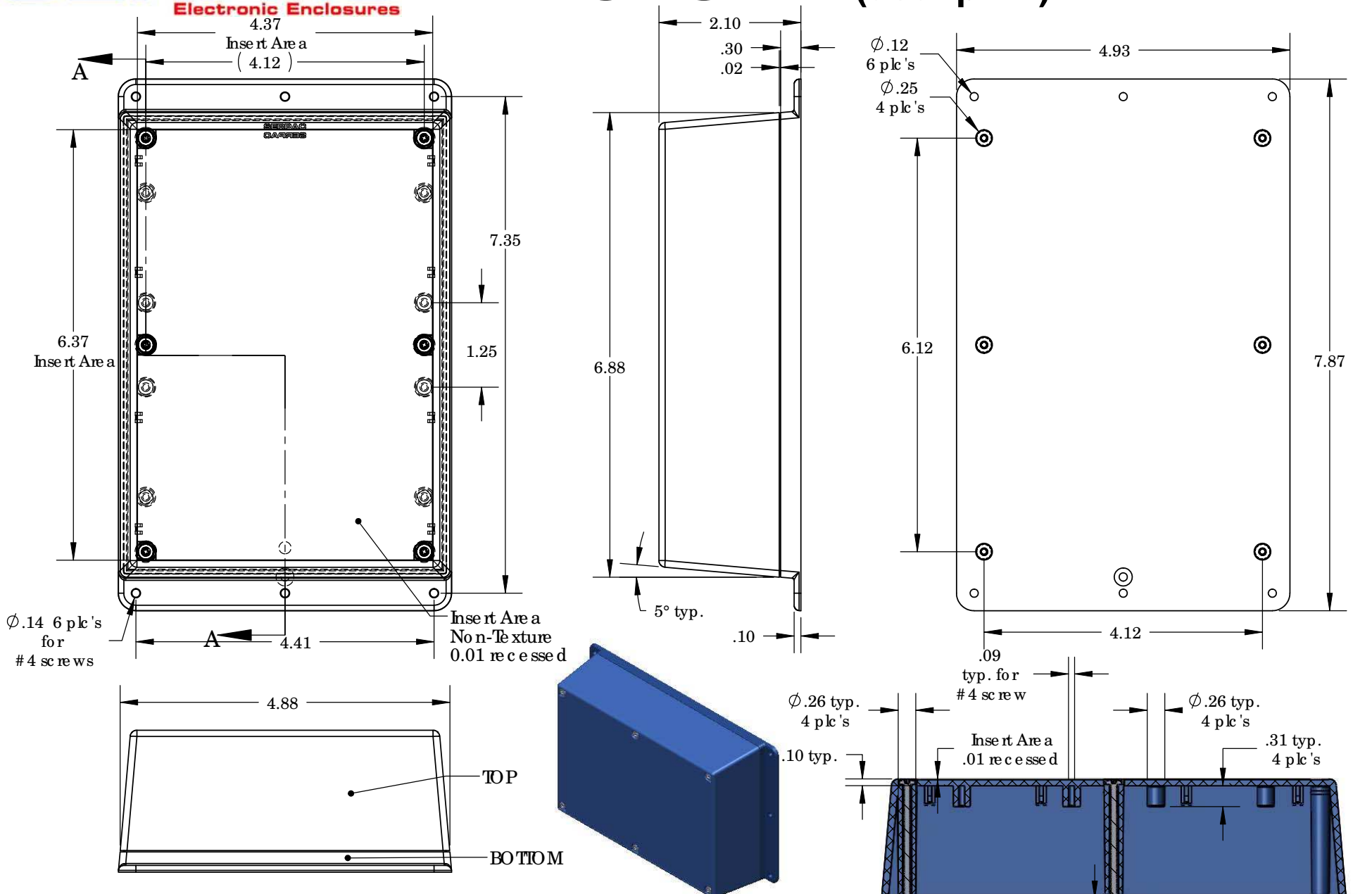
PART NO.	DESCRIPTION (Included)	ACCESSORIES (Optional)	
7-3-RI	TOP	PART NO.	DESCRIPTION
WM07	BOTTOM	50	Non-skid Feet
6019	4-40 SCREW (6)	PS-17	Perimeter Seal
6102	THREADED INSERTS (6)		

- Notes:
- 1) Enclosure meets or exceeds IP40 and NEMA 1
 - 2) When used with PS-17 the enclosure meets or exceeds IP 67 and NEMA 4X, 12 and 13 MIL-STD-810G 506.5
 - 3) Circuit Board drawings can be downloaded at:
http://www.serpac.com/Products/Series/x73/drawings/X73_to-p-CB.pdf
 - 4) All components are RoHS Compliant.

ALL DIMENSIONS ARE ± .010" 6/03/09 (1 of 2)
 619 Commercial Ave. Covina, CA 91723
 Ph. (626) 331-0517 Ex. (626) 331-8584 serpac.com

SERPAC WM073-RI (user print)

Electronic Enclosures



Notes:

- 1) Enclosure meets or exceeds IP40 and NEMA 1
- 2) When used with PS-17 the enclosure meets or exceeds IP 67 and NEMA 4X, 12 and 13 MIL-SID-810G 506.5
- 3) Circuit Board drawings can be downloaded at:
http://www.serpac.com/Products/Series/x7x/drawings/X73_top-CB.pdf
- 4) All components are RoHS Compliant.

PART NO.	DESCRIPTION (Included)	ACCESSORIES (Optional)	
7-3-RI	TOP	PART NO.	DESCRIPTION
WM07	BOTTOM	50	Non-skid Feet
6019	4-40 SCREW (6)	PS-17	Perimeter Seal
6102	THREADED INSERTS (6)		

SECTION A-A
SCALE 1 : 2

ALL DIMENSIONS ARE $\pm .010"$ 6/03/09 (2 of 2)
 619 Commercial Ave. Covina, CA 91723
 Ph. (626) 331-0517 Ex. (626) 331-8584 www.serpac.com