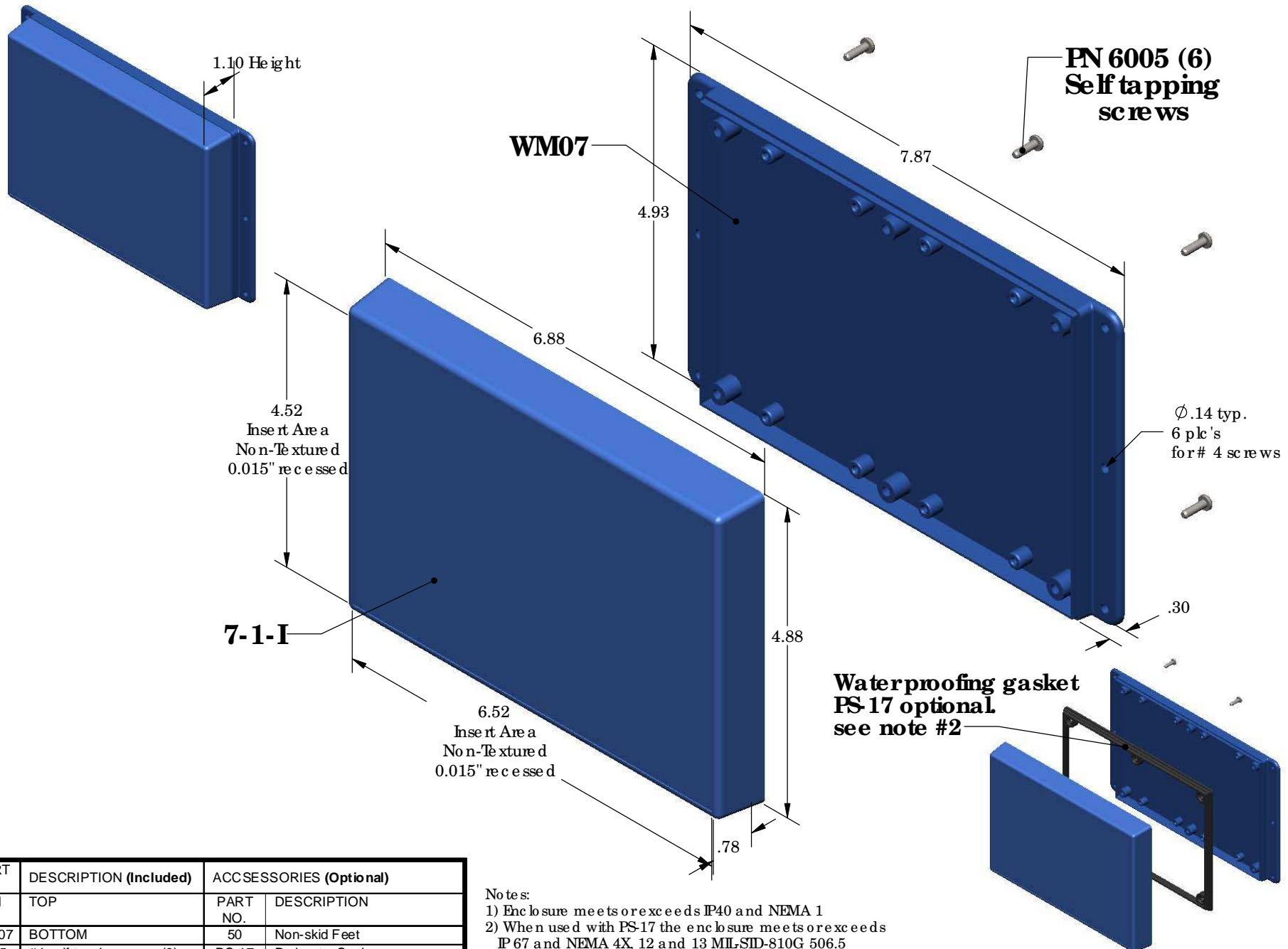


# SERPAC WM071-I (exploded isometric)

Electronic Enclosures



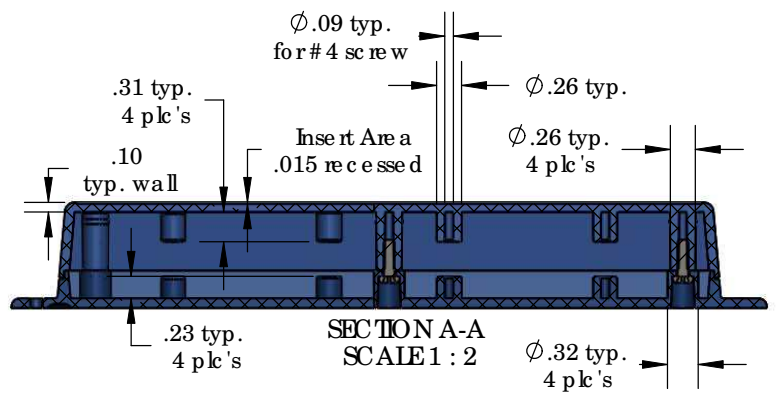
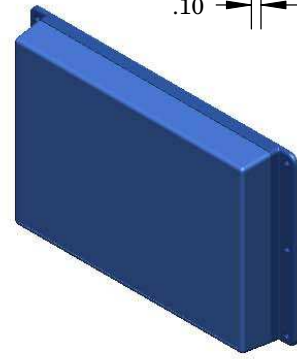
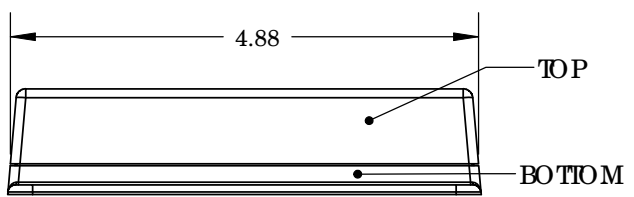
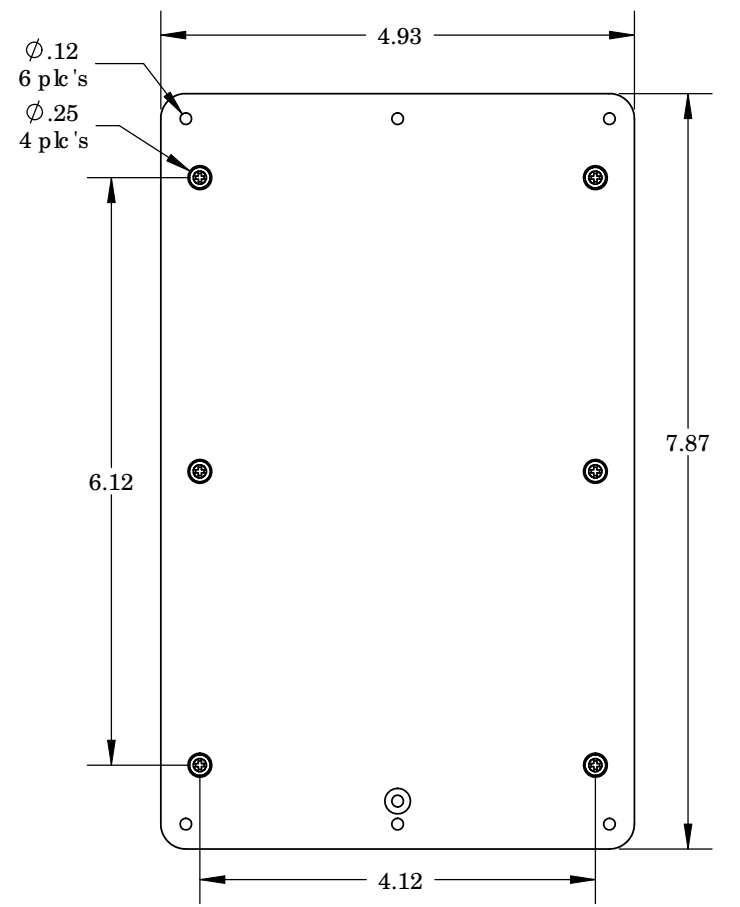
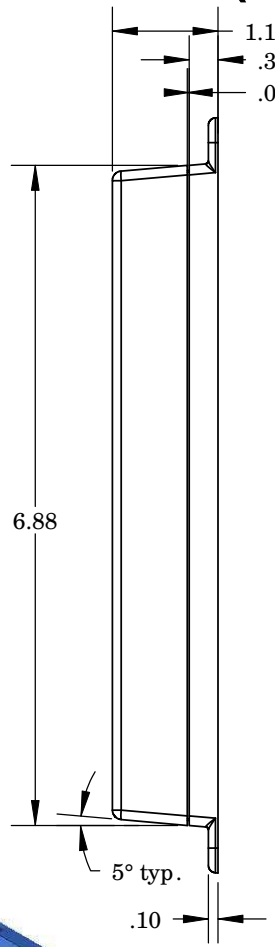
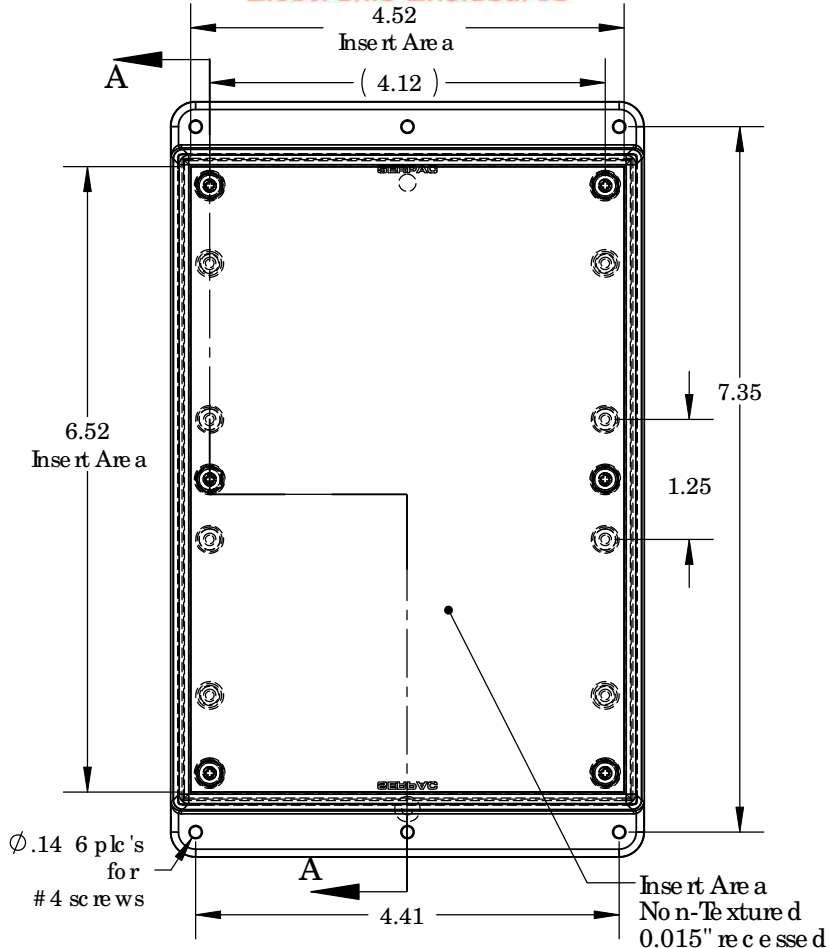
| PART NO. | DESCRIPTION (Included)    | ACCESSORIES (Optional) |                |
|----------|---------------------------|------------------------|----------------|
| PART NO. | DESCRIPTION               | PART NO.               | DESCRIPTION    |
| 7-1-I    | TOP                       | 50                     | Non-skid Feet  |
| WM07     | BOTTOM                    | PS-17                  | Perimeter Seal |
| 6005     | #4 self tapping screw (6) |                        |                |
|          |                           |                        |                |
|          |                           |                        |                |

- Notes:
- 1) Enclosure meets or exceeds IP40 and NEMA 1
  - 2) When used with PS-17 the enclosure meets or exceeds IP 67 and NEMA 4X, 12 and 13 MIL-STD-810G 506.5
  - 3) Circuit Board drawings can be downloaded at:  
<http://www.serpac.com/Accessories/CircuitBoard/drawings/370-470.pdf>
  - 4) All components are RoHS Compliant.

ALL DIMENSIONS ARE ±.010" 6/04/09 (1 of 2)  
 619 Commercial Ave. Covina, CA 91723  
 Ph. (626) 331-0517 Ex. (626) 331-8584 serpac.com

# SERPAC WM071-1 (user print)

Electronic Enclosures



| PART NO. | DESCRIPTION (Included)    | ACCESSORIES (Optional) |                |
|----------|---------------------------|------------------------|----------------|
| 7-1-1    | TOP                       | PART NO.               | DESCRIPTION    |
| WM07     | BOTTOM                    | 50                     | Non-skid Feet  |
| 6005     | #4 self tapping screw (6) | PS-17                  | Perimeter Seal |
|          |                           |                        |                |

- Notes:
- 1) Enclosure meets or exceeds IP40 and NEMA 1
  - 2) When used with PS-17 the enclosure meets or exceeds IP 67 and NEMA 4X, 12 and 13 MIL-SID-810G 506.5
  - 3) Circuit Board drawings can be downloaded at:  
<http://www.serpac.com/Accessories/CircuitBoard/drawings/370-470.pdf>
  - 4) All components are RoHS Compliant.