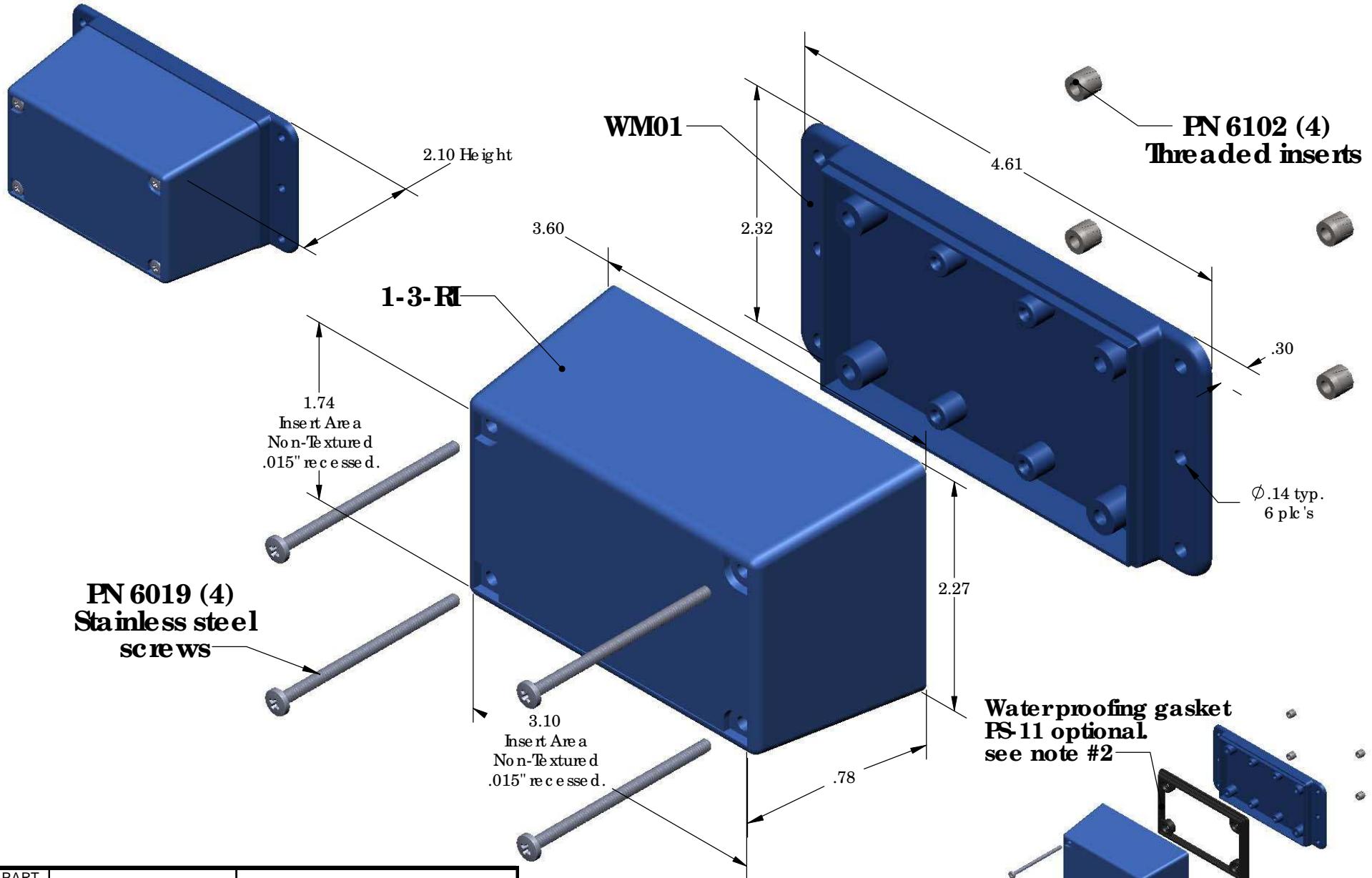
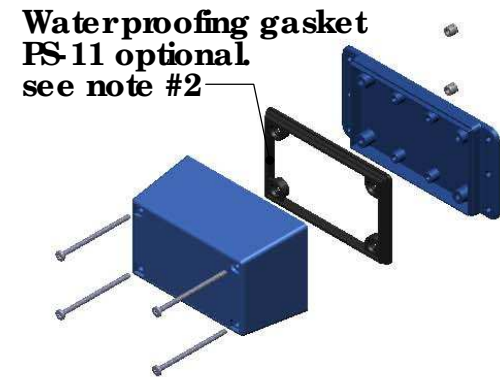


WM013-RI (exploded isometric)



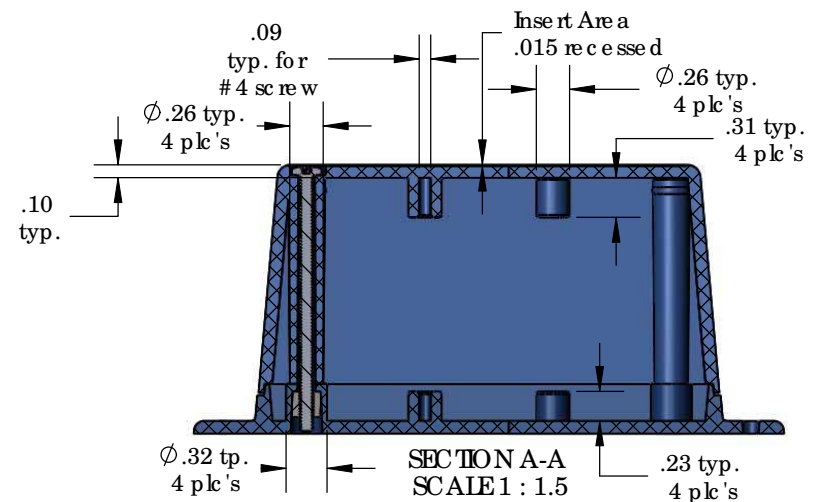
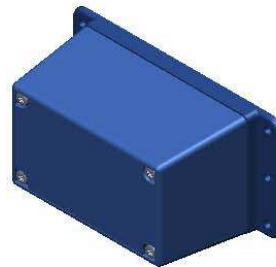
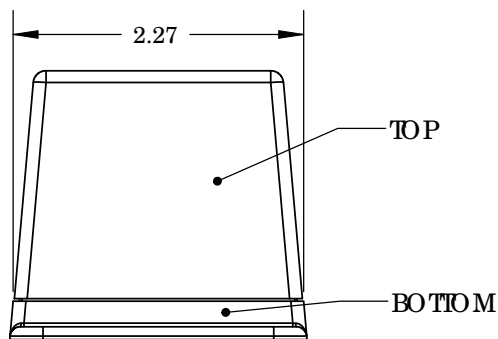
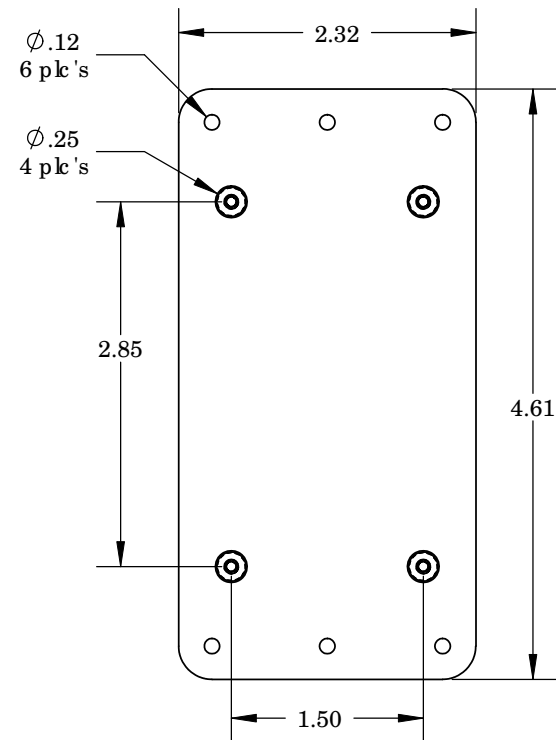
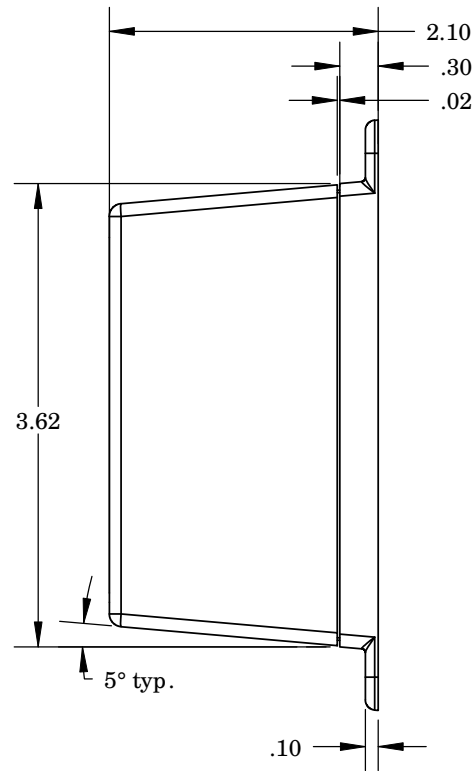
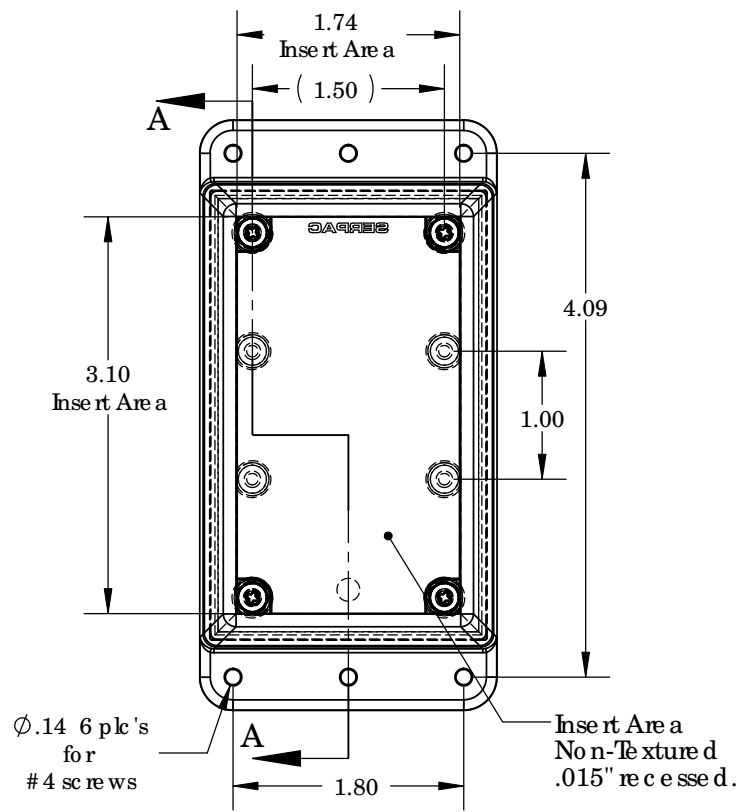
PART NO.	DESCRIPTION (Included)	ACCESSORIES (Optional)	
1-3-RI	TOP	PART NO.	DESCRIPTION
WM01	BOTTOM	50	Non-skid Feet
6019	4-40 SCREW (4)	PS-11	Perimeter Seal
6102	THREADED INSERTS (4)	310	Prototype grid board (bottom only)
		410	Prototype clad board (bottom only)

- Notes:
- 1) Enclosure meets or exceeds IP40 and NEMA 1
 - 2) When used with PS-11 the enclosure meets or exceeds IP 67 and NEMA 4X, 12 and 13 MIL-SID-810G 506.5
 - 3) Circuit Board drawings can be downloaded at:
<http://www.serpac.com/Accessories/CircuitBoard/drawings/310-410.pdf>
 - 4) All components are RoHS Compliant.



SERPAC WM013-RI (user print)

Electronic Enclosures



PART NO.	DESCRIPTION (Included)	ACCESSORIES (Optional)	
1-3-RI	TOP	PART NO.	DESCRIPTION
WM01	BOTTOM	50	Non-skid Feet
6019	4-40 SCREW (4)	PS-11	Perimeter Seal
6102	THREADED INSERTS (4)	310	Prototype grid board (bottom only)
		410	Prototype clad board (bottom only)

- Notes:
- 1) Enclosure meets or exceeds IP40 and NEMA 1
 - 2) When used with PS-11 the enclosure meets or exceeds IP 67 and NEMA 4X, 12 and 13 MIL-SID-810G 506.5
 - 3) Circuit Board drawings can be downloaded at:
<http://www.serpac.com/Accessories/CircuitBoard/drawings/310-410.pdf>
 - 4) All components are RoHS Compliant.