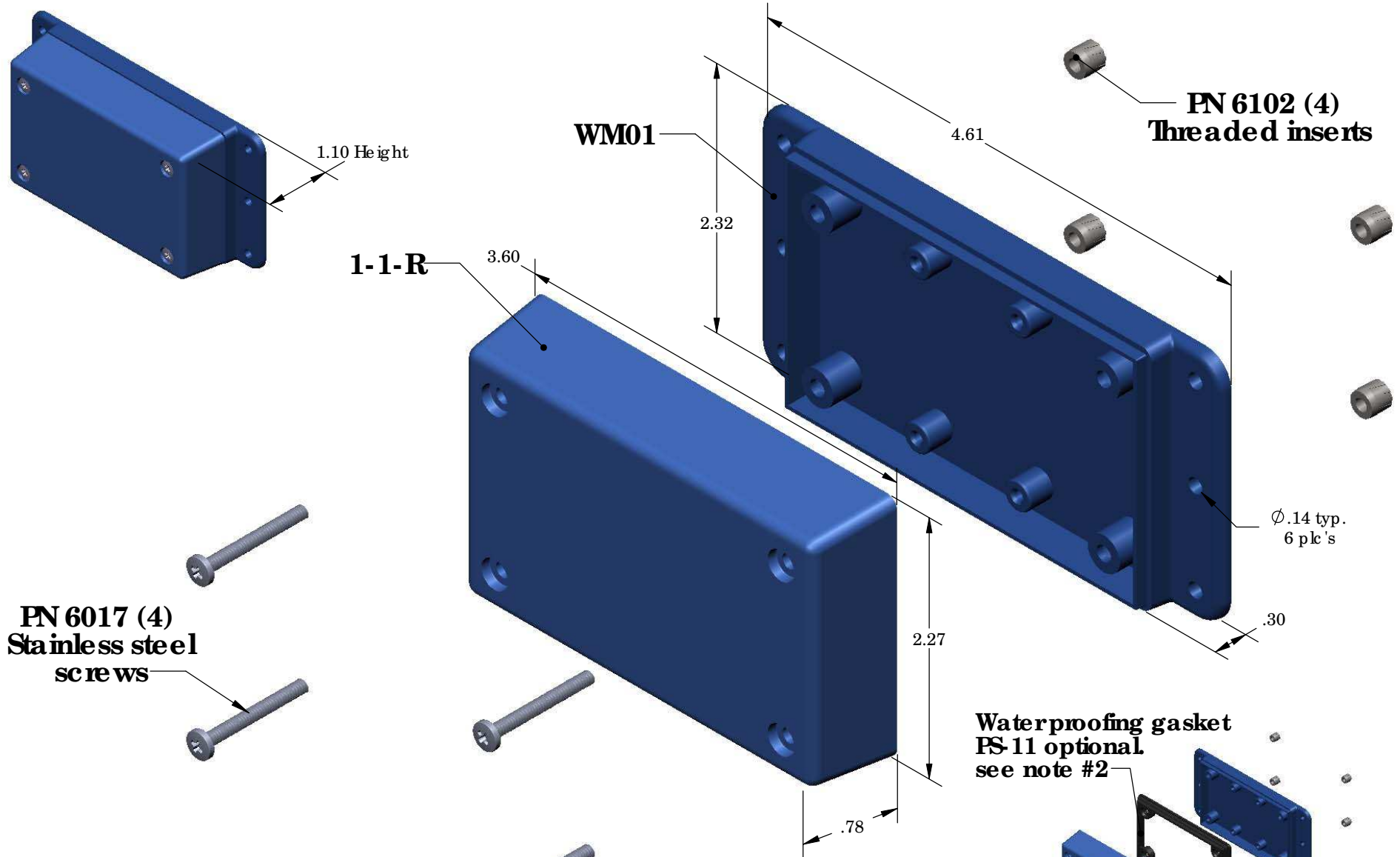


SERPAC WM011-R (exploded isometric)

Electronic Enclosures



**PN 6017 (4)
Stainless steel
screws**

**PN 6102 (4)
Threaded inserts**

**Waterproofing gasket
PS-11 optional.
see note #2**

PART NO.	DESCRIPTION (Included)	ACCESSORIES (Optional)	
1-1-R	TOP	PART NO.	DESCRIPTION
WM01	BOTTOM	50	Non-skid Feet
6017	4-40 SCREW (4)	PS-11	Perimeter Seal
6102	THREADED INSERTS (4)	310	Prototype grid board (Horiz)
		410	Prototype clad board (Horiz)

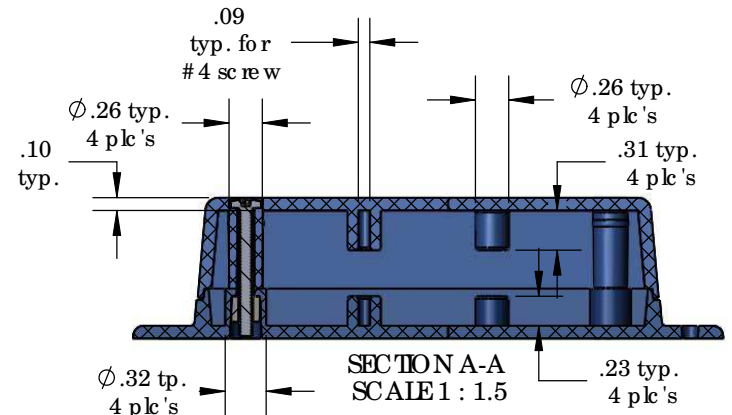
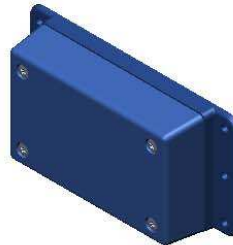
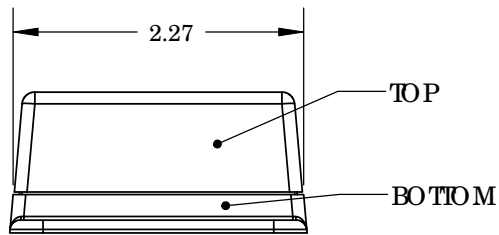
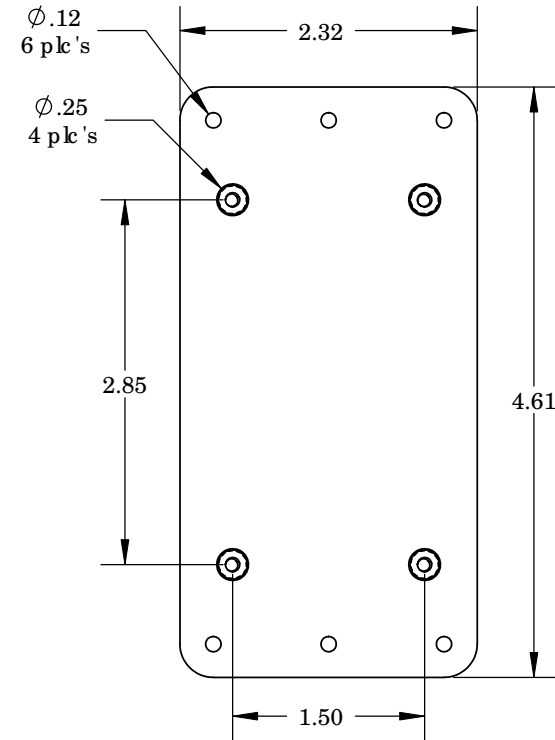
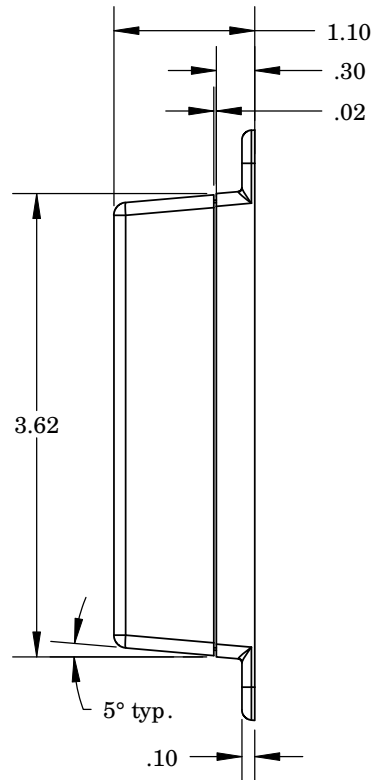
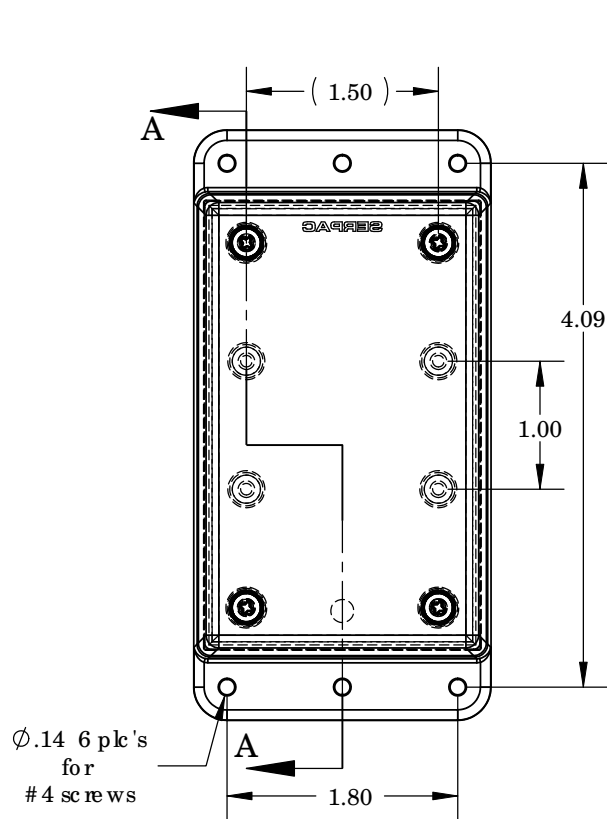
Notes:

- 1) Enclosure meets or exceeds IP40 and NEMA 1
- 2) When used with PS-11 the enclosure meets or exceeds IP 67 and NEMA 4X, 12 and 13 MIL-STD-810G 506.5
- 3) Circuit Board drawings can be downloaded at:
<http://www.serpac.com/Accessories/CircuitBoard/drawings/310-410.pdf>
- 4) All components are RoHS compliant.

ALL DIMENSIONS ARE ±.010" 5/7/09 (1 of 2)
619 Commercial Ave. Covina, CA 91723
Ph. (626) 331-0517 Ex. (626) 331-8584 serpac.com

SERPAC WM011-R (user print)

Electronic Enclosures



PART NO.	DESCRIPTION (Included)	ACCESSORIES (Optional)	PART NO.	DESCRIPTION
1-1-R	TOP			
WM01	BOTTOM		50	Non-skid Feet
6017	4-40 SCREW (4)		PS-11	Perimeter Seal
6102	THREADED INSERTS (4)		310	Prototype grid board (Horiz)
			410	Prototype clad board (Horiz)

Notes:

- 1) Enclosure meets or exceeds IP40 and NEMA 1
- 2) When used with PS-11 the enclosure meets or exceeds IP 67 and NEMA 4X, 12 and 13 MIL-SID-810G 506.5
- 3) Circuit Board drawings can be downloaded at: <http://www.serpac.com/Accessories/CircuitBoard/drawings/310-410.pdf>
- 4) All components are RoHS Compliant.