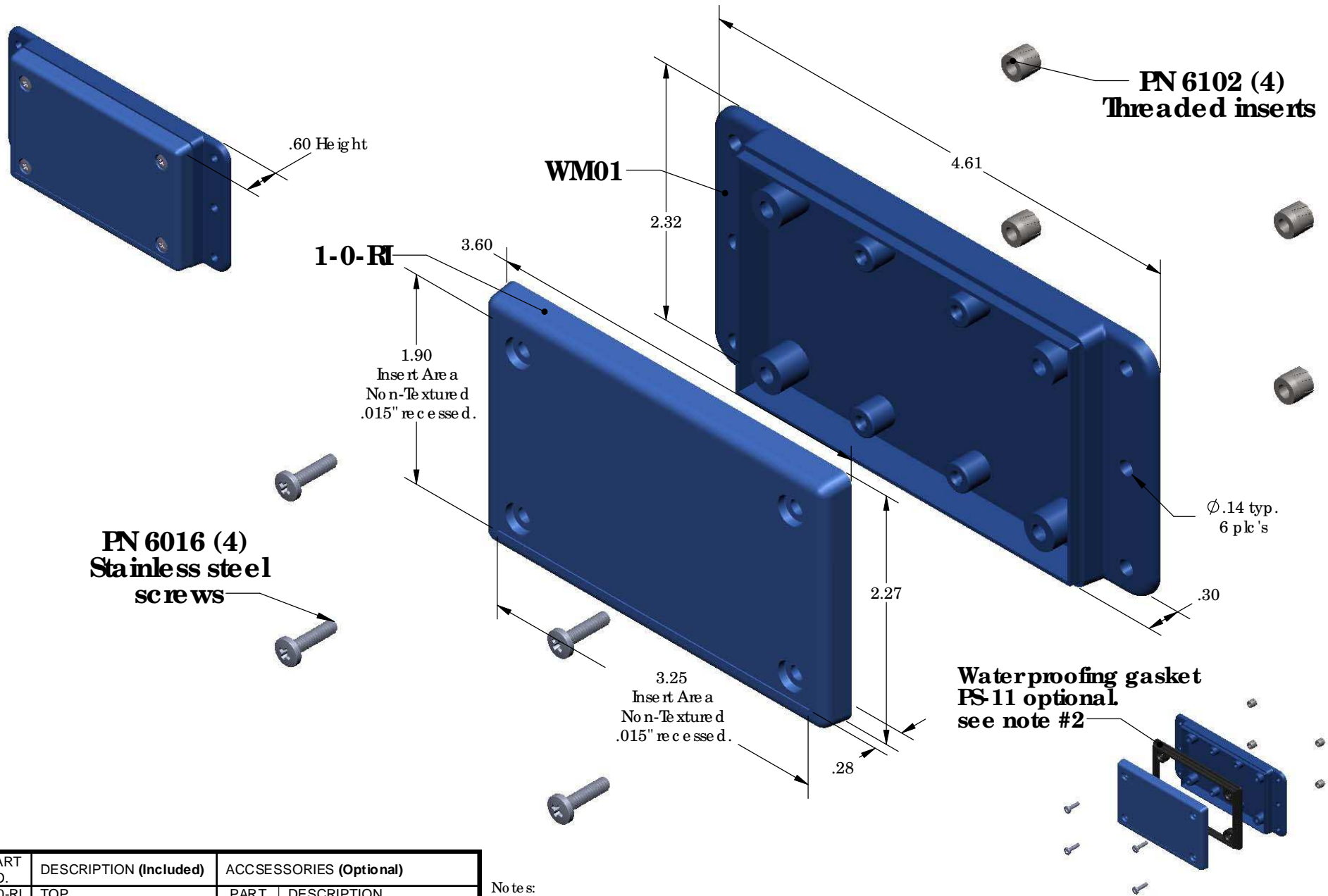


# WM010-RI (exploded isometric)



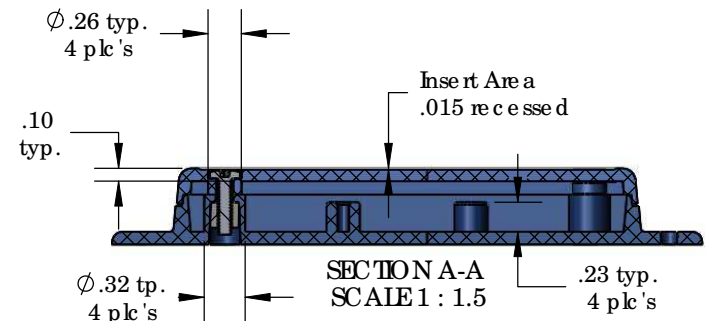
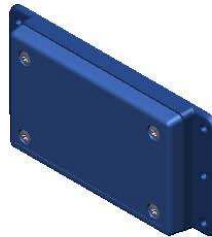
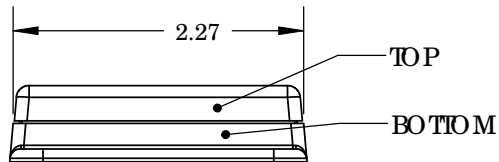
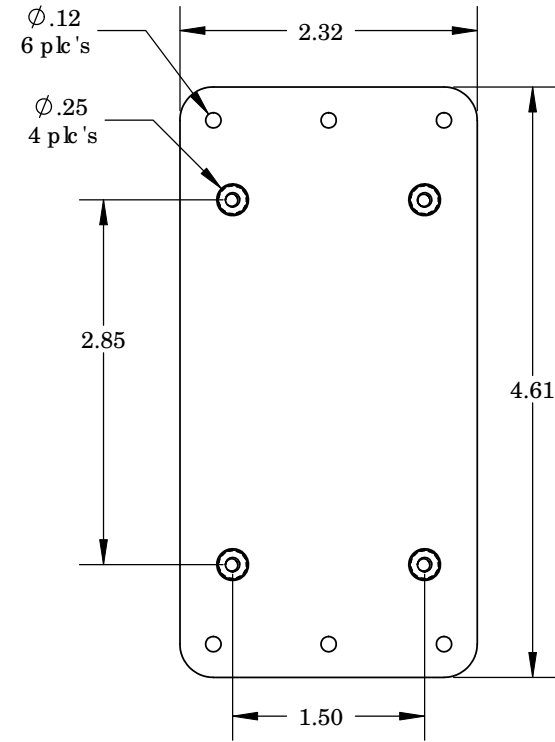
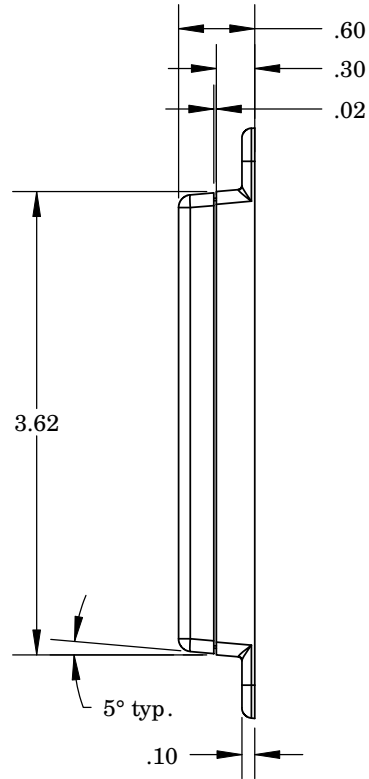
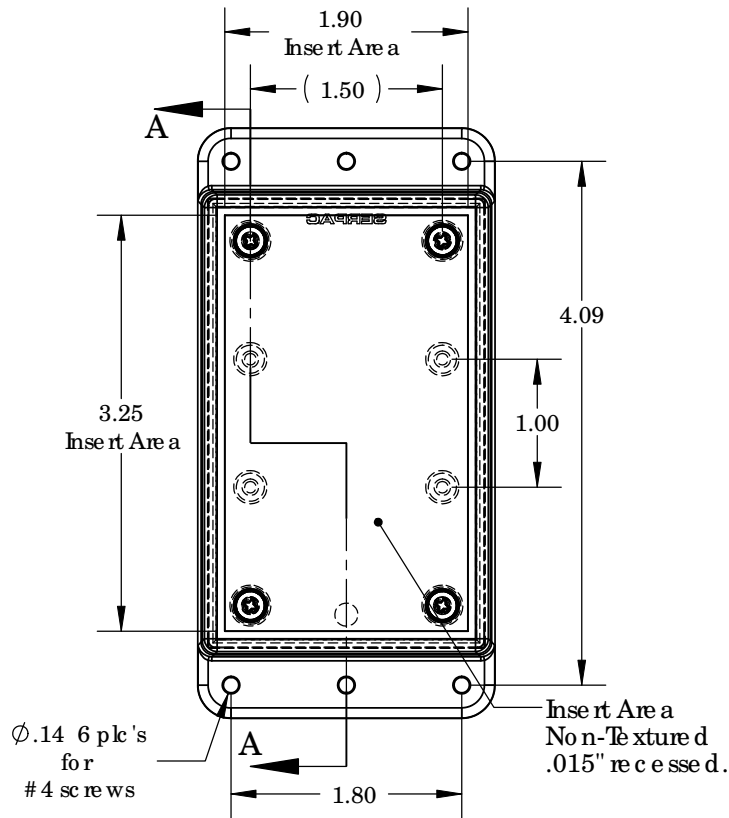
| PART NO. | DESCRIPTION (Included) | ACCESSORIES (Optional) |                              |
|----------|------------------------|------------------------|------------------------------|
| 1-0-RI   | TOP                    | PART NO.               | DESCRIPTION                  |
| WM01     | BOTTOM                 | 50                     | Non-skid Feet                |
| 6016     | 4-40 SCREW (4)         | PS-11                  | Perimeter Seal               |
| 6102     | THREADED INSERTS (4)   | 310                    | Prototype grid board (Horiz) |
|          |                        | 410                    | Prototype clad board (Horiz) |

Notes:

- 1) Enclosure meets or exceeds IP40 and NEMA 1
- 2) When used with PS-11 the enclosure meets or exceeds IP 67 and NEMA 4X, 12 and 13 MIL-STD-810G 506.5
- 3) Circuit Board drawings can be downloaded at: <http://www.serpac.com/Accessories/CircuitBoard/drawings/310-410.pdf>
- 4) All components are RoHS Compliant.

# SERPAC WM010-RI (user print)

Electronic Enclosures



| PART NO. | DESCRIPTION (Included) | ACCESSORIES (Optional) |                              |
|----------|------------------------|------------------------|------------------------------|
| 1-0-RI   | TOP                    | PART NO.               | DESCRIPTION                  |
| WM01     | BOTTOM                 | 50                     | Non-skid Feet                |
| 6016     | 4-40 SCREW (4)         | PS-11                  | Perimeter Seal               |
| 6102     | THREADED INSERTS (4)   | 310                    | Prototype grid board (Horiz) |
|          |                        | 410                    | Prototype clad board (Horiz) |

- Notes:
- Enclosure meets or exceeds IP40 and NEMA 1
  - When used with PS-11 the enclosure meets or exceeds IP 67 and NEMA 4X, 12 and 13 MIL-SID-810G 506.5
  - Circuit Board drawings can be downloaded at: <http://www.serpac.com/Accessories/CircuitBoard/drawings/310-410.pdf>
  - All components are RoHS Compliant.