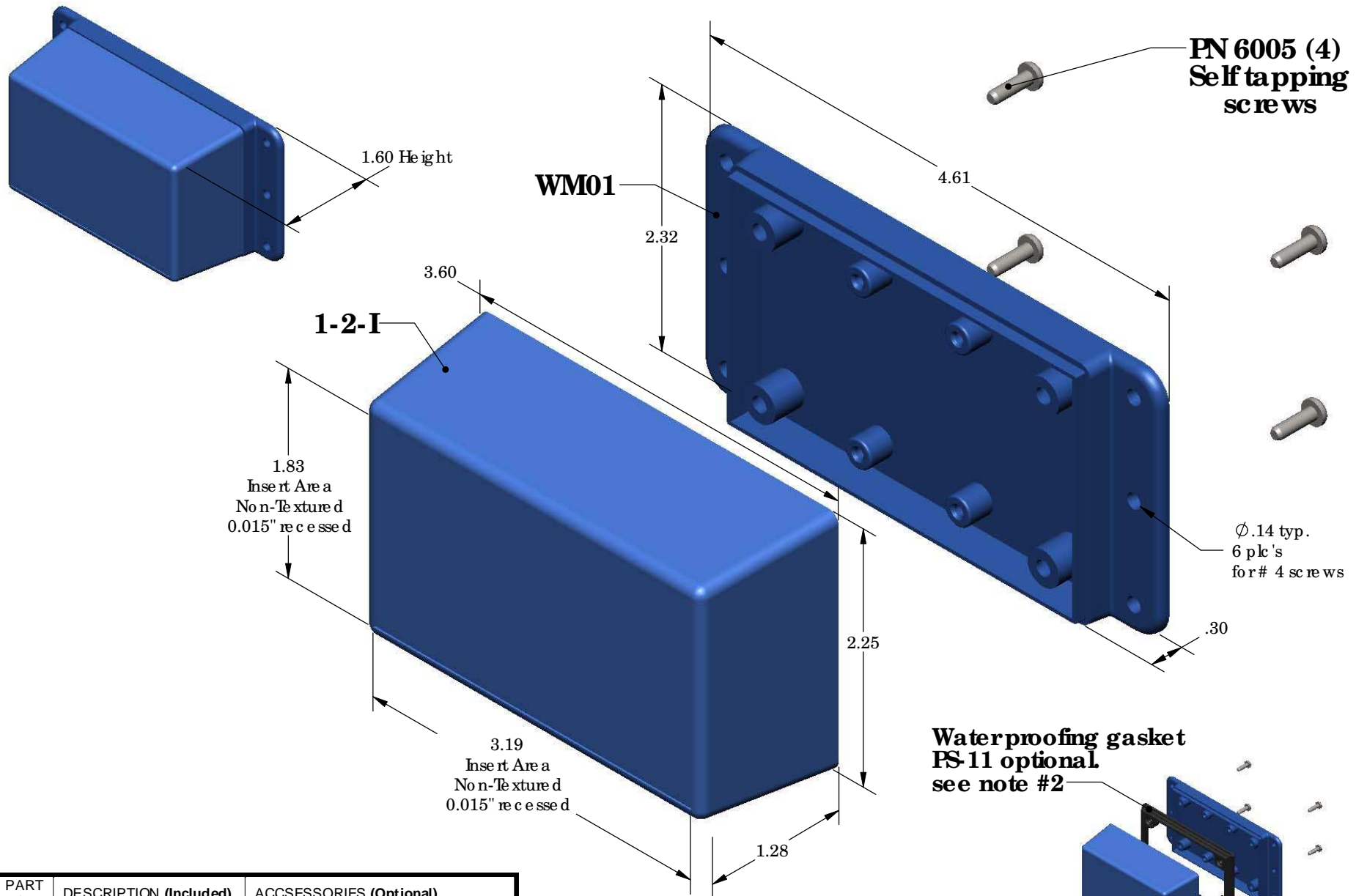


SERPAC WM012-I (exploded isometric)

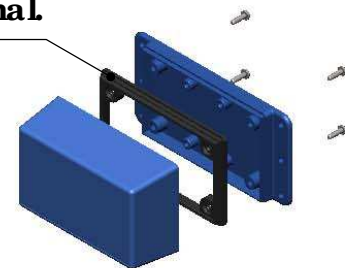
Electronic Enclosures



PART NO.	DESCRIPTION (Included)	ACCESSORIES (Optional)	
1-2-I	TOP	PART NO.	DESCRIPTION
WM01	BOTTOM	50	Non-skid Feet
6005	#4 self tapping screw (4)	PS-11	Perimeter Seal
		310	Prototype grid board (Horiz)
		410	Prototype clad board (Horiz)

Notes:
 1) Enclosure meets or exceeds IP40 and NEMA 1
 2) When used with PS-11 the enclosure meets or exceeds IP 67 and NEMA 4X, 12 and 13 MIL-STD-810G 506.5
 3) Circuit Board drawings can be downloaded at:
<http://www.serpac.com/Accessories/CircuitBoard/drawings/310-410.pdf>
 All components are RoHS compliant.

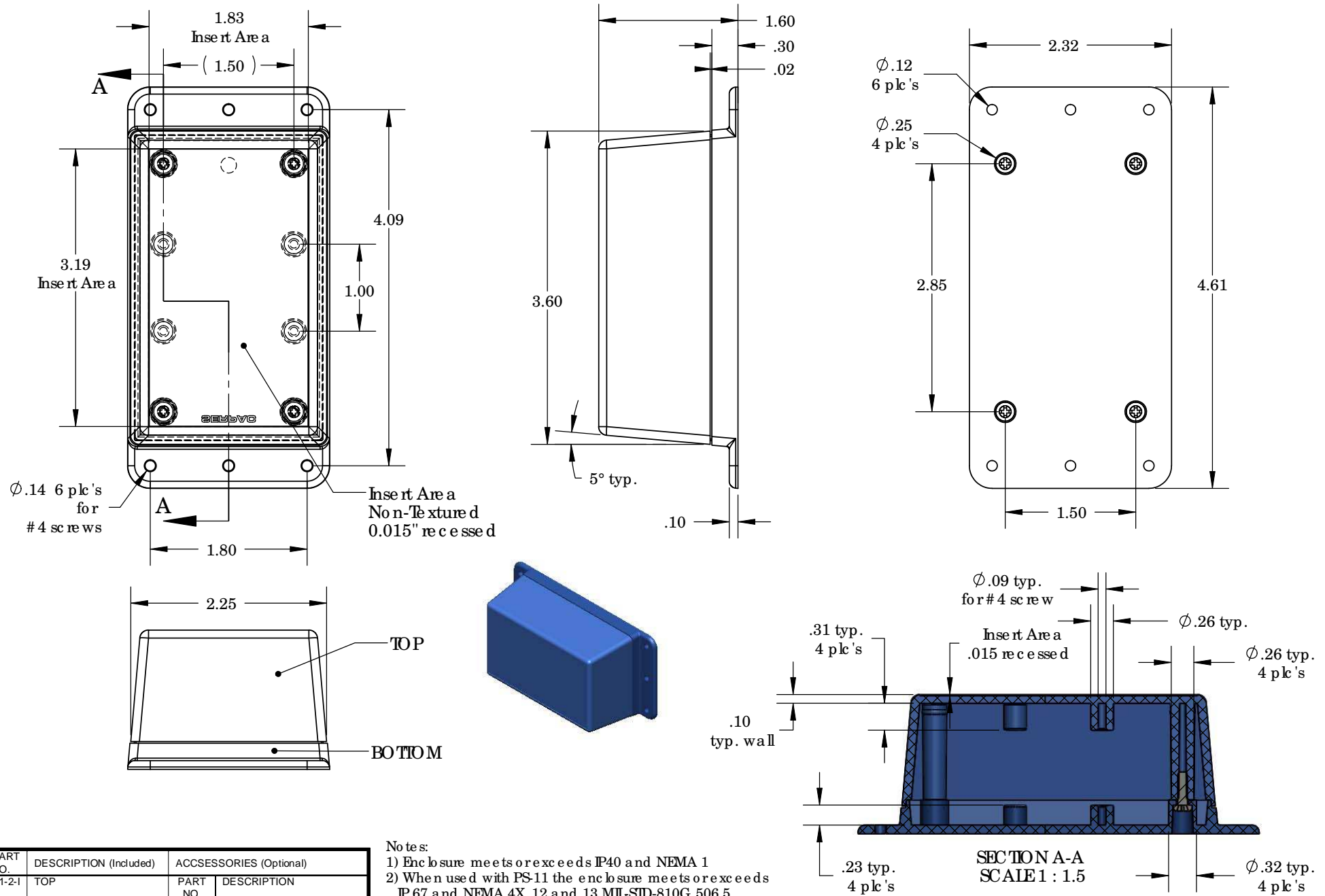
Waterproofing gasket PS-11 optional see note #2



ALL DIMENSIONS ARE ±.010" 5/5/09 (1 of 2)
 619 Commercial Ave. Covina, CA 91723
 Ph. (626) 331-0517 Ex. (626) 331-8584 serpac.com

SERPAC WM012-1 (user print)

Electronic Enclosures



- Notes:
- 1) Enclosure meets or exceeds IP40 and NEMA 1
 - 2) When used with PS-11 the enclosure meets or exceeds IP 67 and NEMA 4X, 12 and 13 MIL-STD-810G 506.5
 - 3) Circuit Board drawings can be downloaded at: <http://www.serpac.com/Accessories/CircuitBoard/drawings/310-410.pdf>
 - 4) All components are RoHS Compliant.

PART NO.	DESCRIPTION (Included)	ACCESSORIES (Optional)	
1-2-1	TOP	PART NO.	DESCRIPTION
WM01	BOTTOM	50	Non-skid Feet
6005	#4 self tapping screw (4)	PS-11	Perimeter Seal
		310	Prototype grid board (Horiz)
		410	Prototype clad board (Horiz)