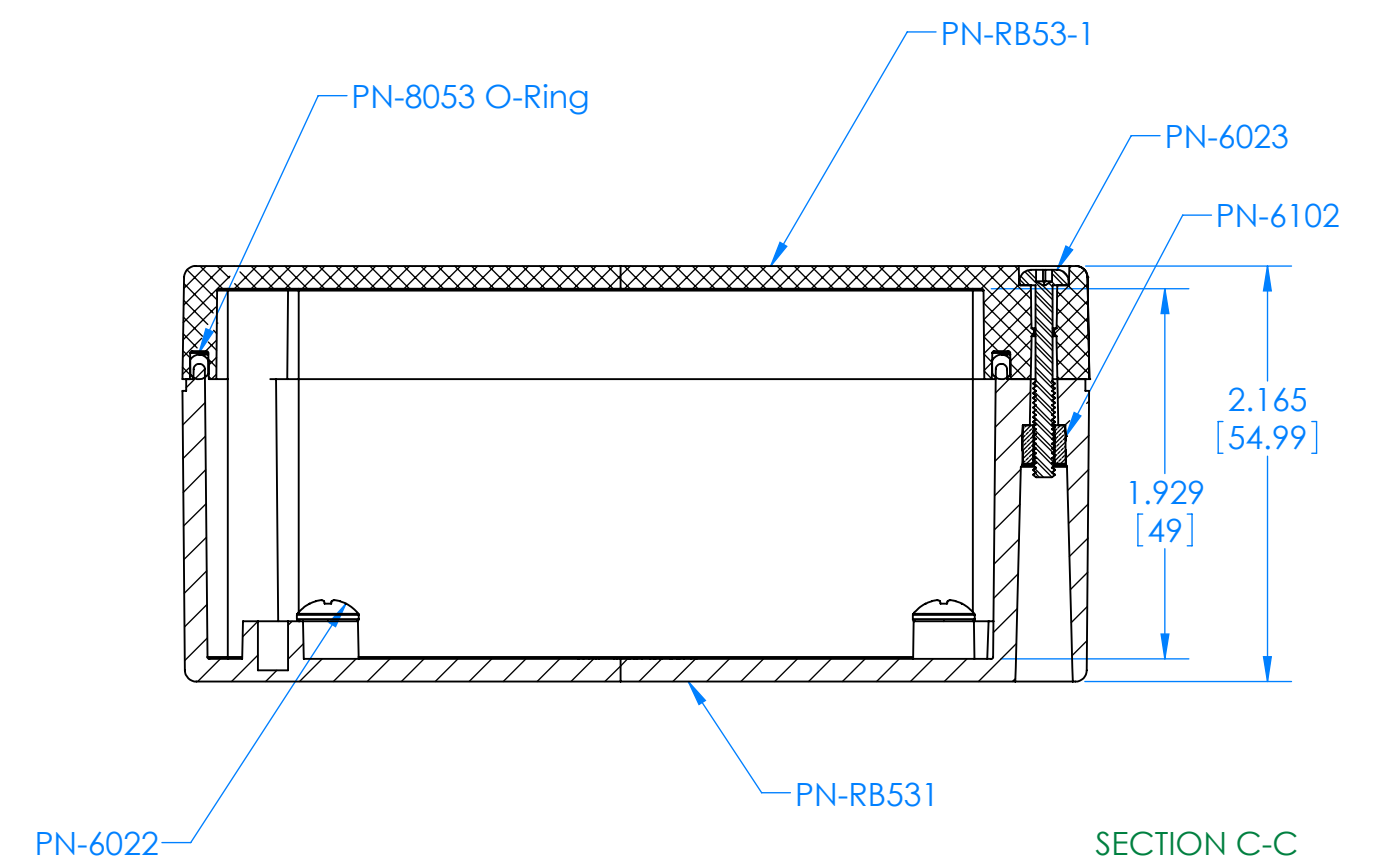
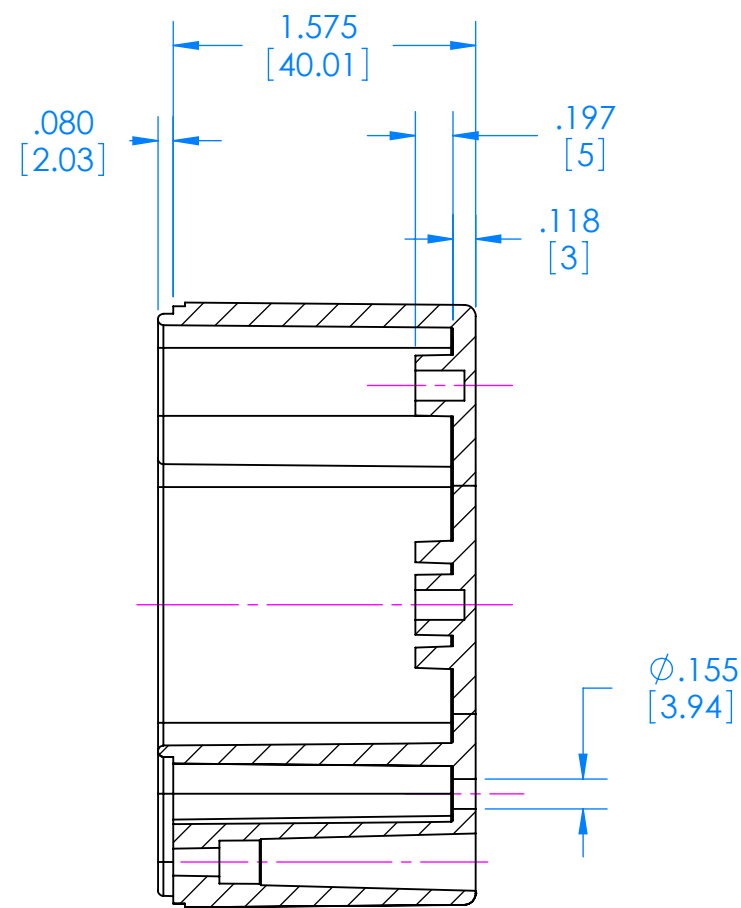
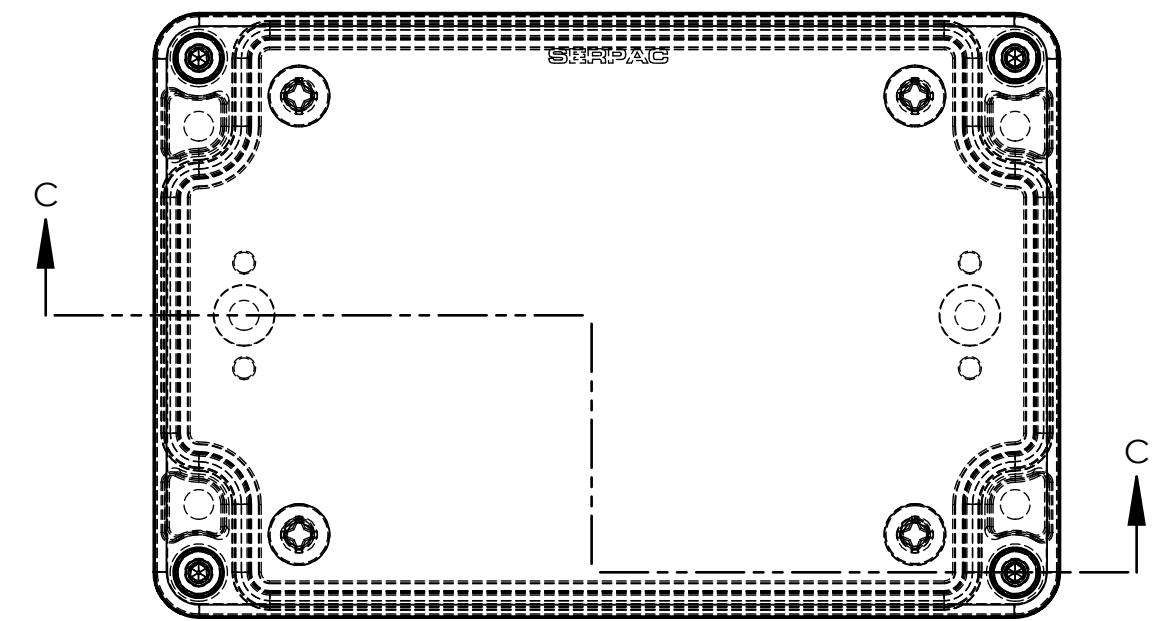
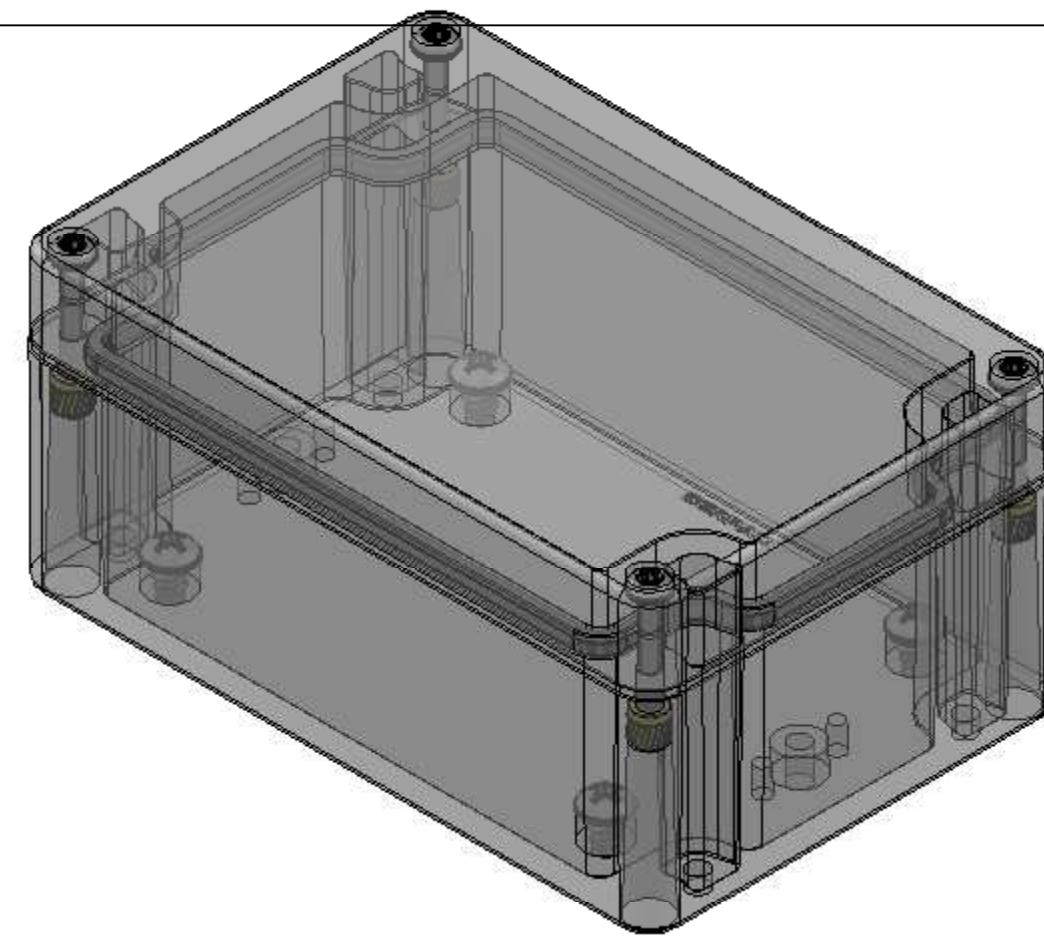
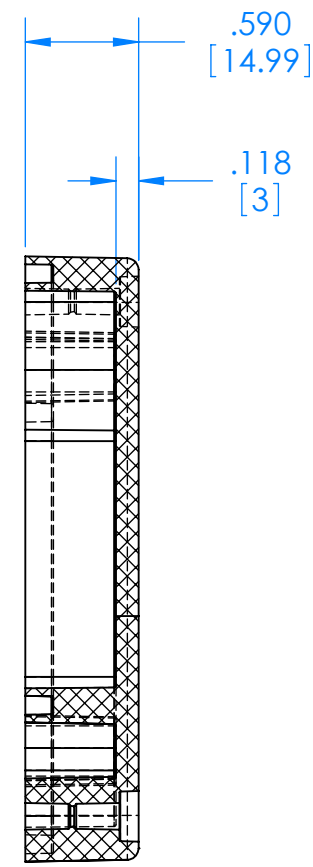
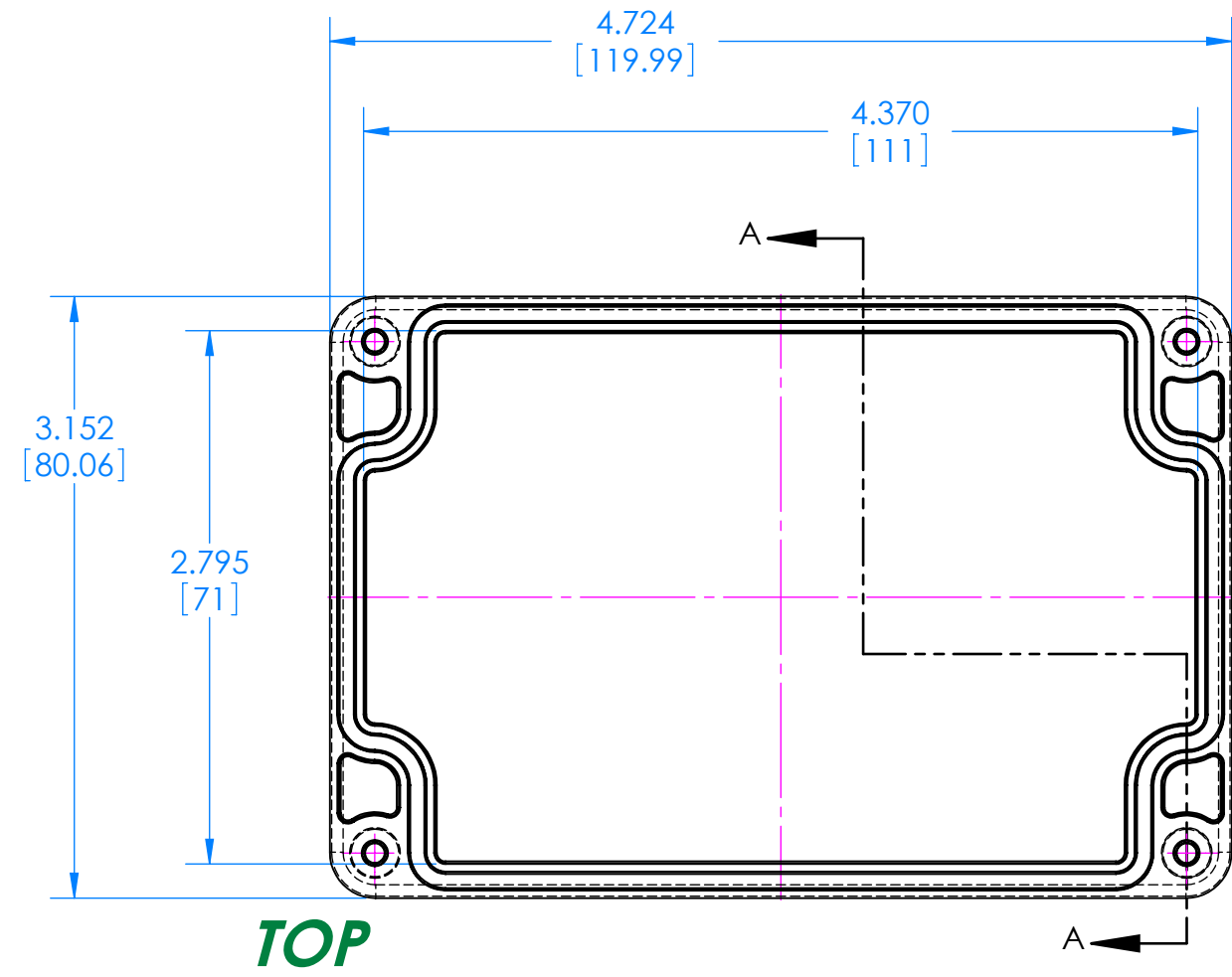


SERPAC Electronic Enclosures RB53-1TC1BC



PN	Description
RB53-1	(1) RB53 Top1
RB531	(1) RB53 Bottom1
8053	(1) RB53 O-Ring
6023	(4) #4-40 Captive Torx Hd Screw
6022	(4) #10 High/Low Pan Hd x 1/4"
6102	(4) #4-40 Threaded Insert

-Material: UV stabilized Polycarbonate
 Flammability UL 94 V-0
 -Watertight enclosure meets or
 exceed Nema 4 and or IP67.

Dim's in Inch
 [mm]

ALL DIMENSIONS ARE ± .010" 7/06/11
 2009 Wright Street, La Verne, Ca. 91750
 Ph. (626) 331-0517 Fx. (626) 331-8584 serpac.com