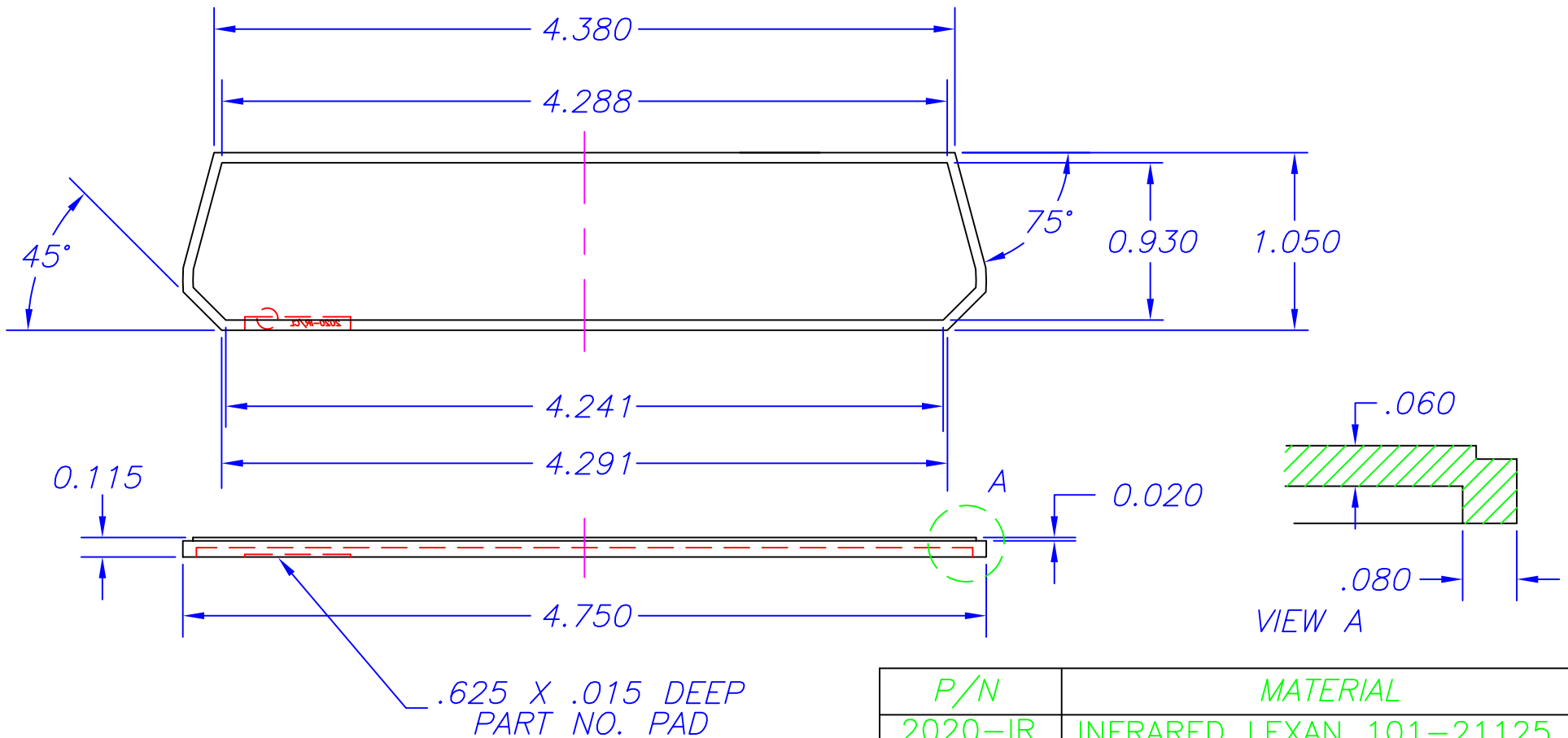


NO.	REVISION	DATE
N/A		5/96



P/N	MATERIAL
2020-IR	INFRARED LEXAN 101-21125
2020-CL	CLEAR TERLUX 2802TR(BASF)

TITLE A-41 END PANEL IR/CL				DES. D.CHAMBERS		6/93	P/N 2020,IR & CL
TOLERANCE			MAT'L		DRWN.		
DECIMAL	FRAC.	ANG.	SHEET NO. 1	SCALE 1=1	CKD.		
.XX ±.010	.XXX ±.005	±1/64 ±1/2°	NO. OF SHTS. 1	DWG NO. A-41IRCL	APPR.		
							SERPAC
							612 COMMERCIAL AVE., COVINA, CA. 91723 (818) 331-0517 FAX: (818) 331-8584