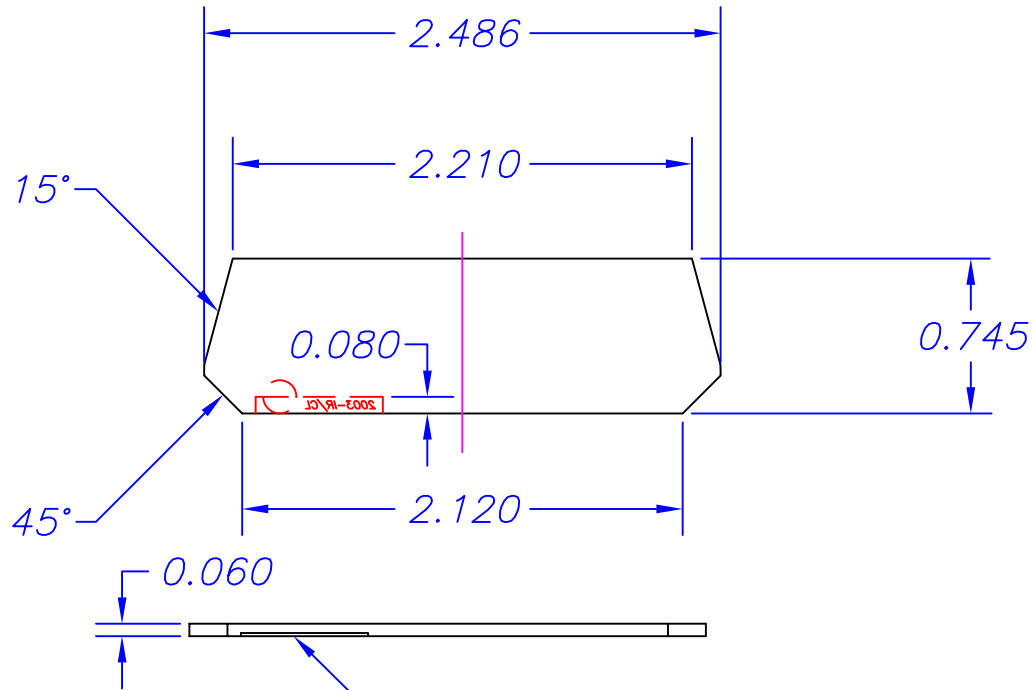


NO.	REVISION	DATE
N/A		5/96



.625 X .015 DEEP
PART NO. PAD

P/N	MATERIAL
2003-IR	INFRARED LEXAN 101-21125
2003-CL	CLEAR TERLUX 2802TR(BASF)

TITLE				A-20 END PANEL IR/CL		DES. D.CHAMBERS		6/93		P/N 2003IR OR CL	
TOLERANCE				MAT'L		DRWN. ROB ROY					
DECIMAL		FRAC.	ANG.	SHEET NO.	SCALE	CKD.					
.XX ±.010	.XXX ±.005	±1/64	±1/2°	1	1=1						
				NO. OF SHTS.	DWG NO.	APPR.		612 COMMERCIAL AVE., COVINA, CA. 91723 (818) 331-0517 FAX: (818) 331-8584			
				1	A-20IRCL						