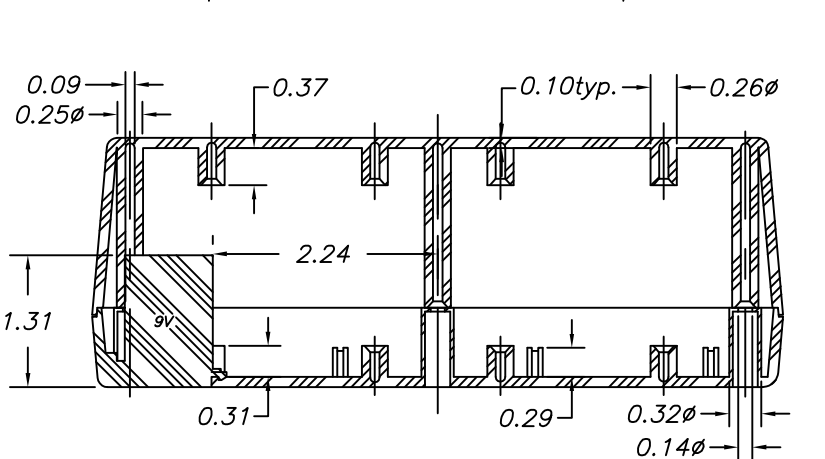
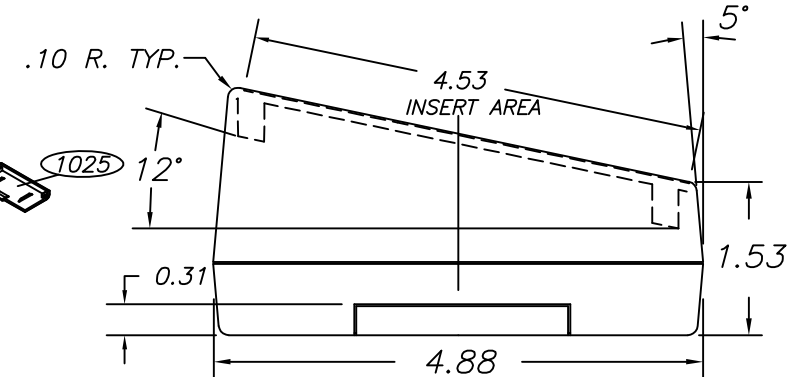
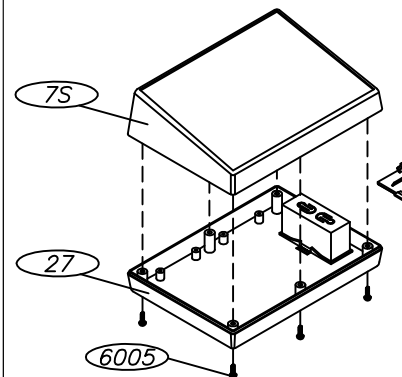
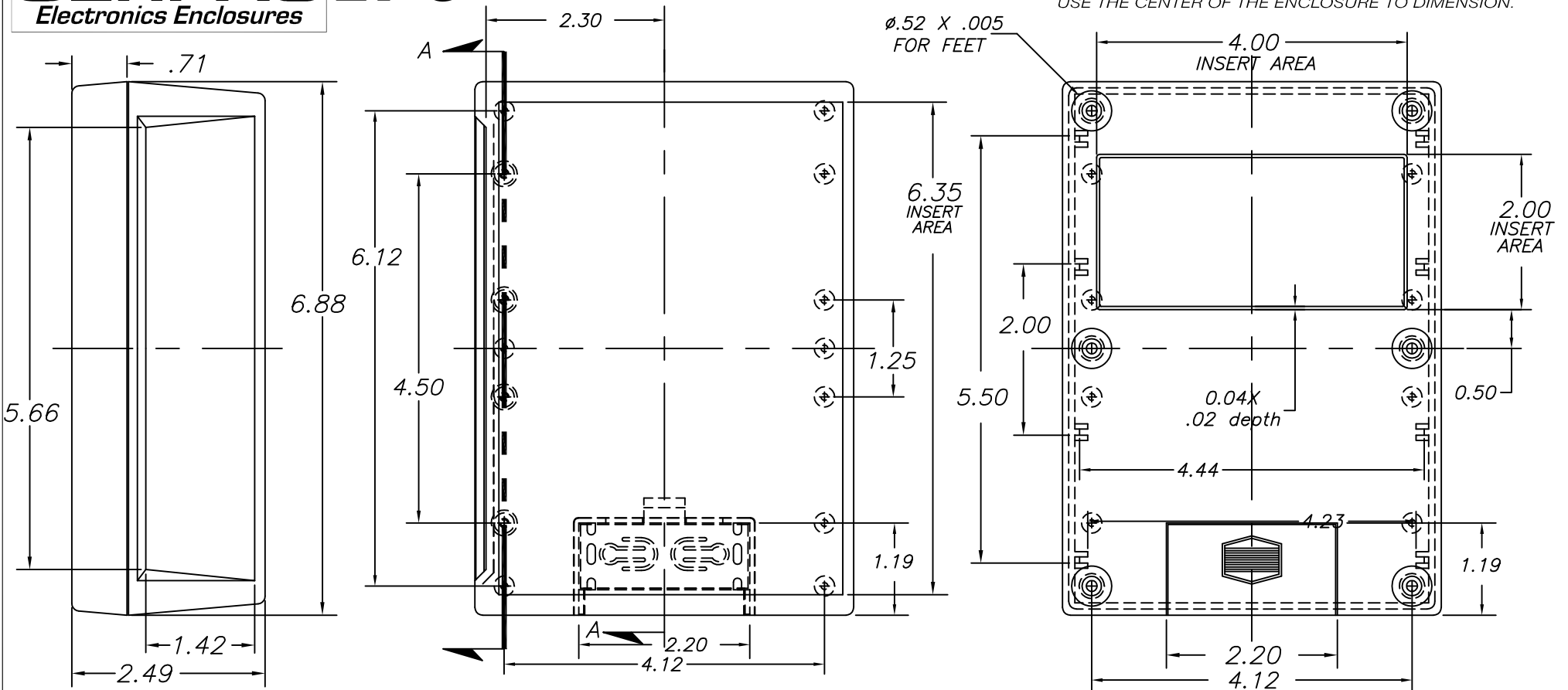


SERPAC 27-S

Electronics Enclosures

NOTES:
1. WHEN MACHINE OR I PLATES MODIFICATIONS ARE REQUIRED, USE THE CENTER OF THE ENCLOSURE TO DIMENSION.



5-8-01. ALL DIMENSIONS ± .010

PART NO.	DESCRIPTION	ACCESSORIES	
7S	PLASTIC TOP	PART NO.	DESCRIPTION
27	PLASTIC BOTTOM	51	FEET
6005	SCREWS (6)	370	PROTOTYPE GRID BOARD (HORIZ.)
1025	PLASTIC BATTERY COVER	470	PROTOTYPE CLAD BOARD (HORIZ.)