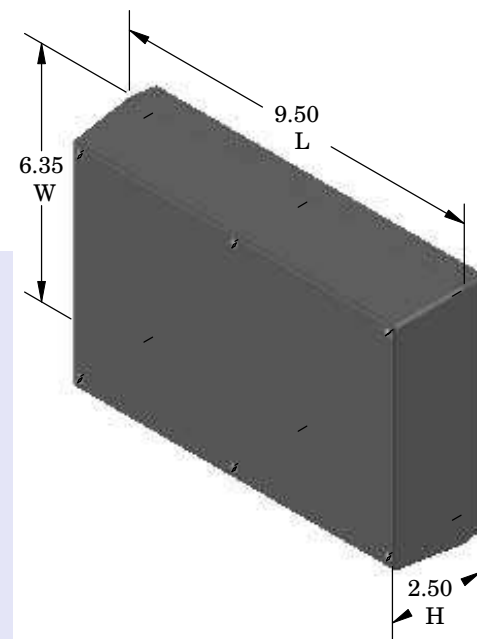
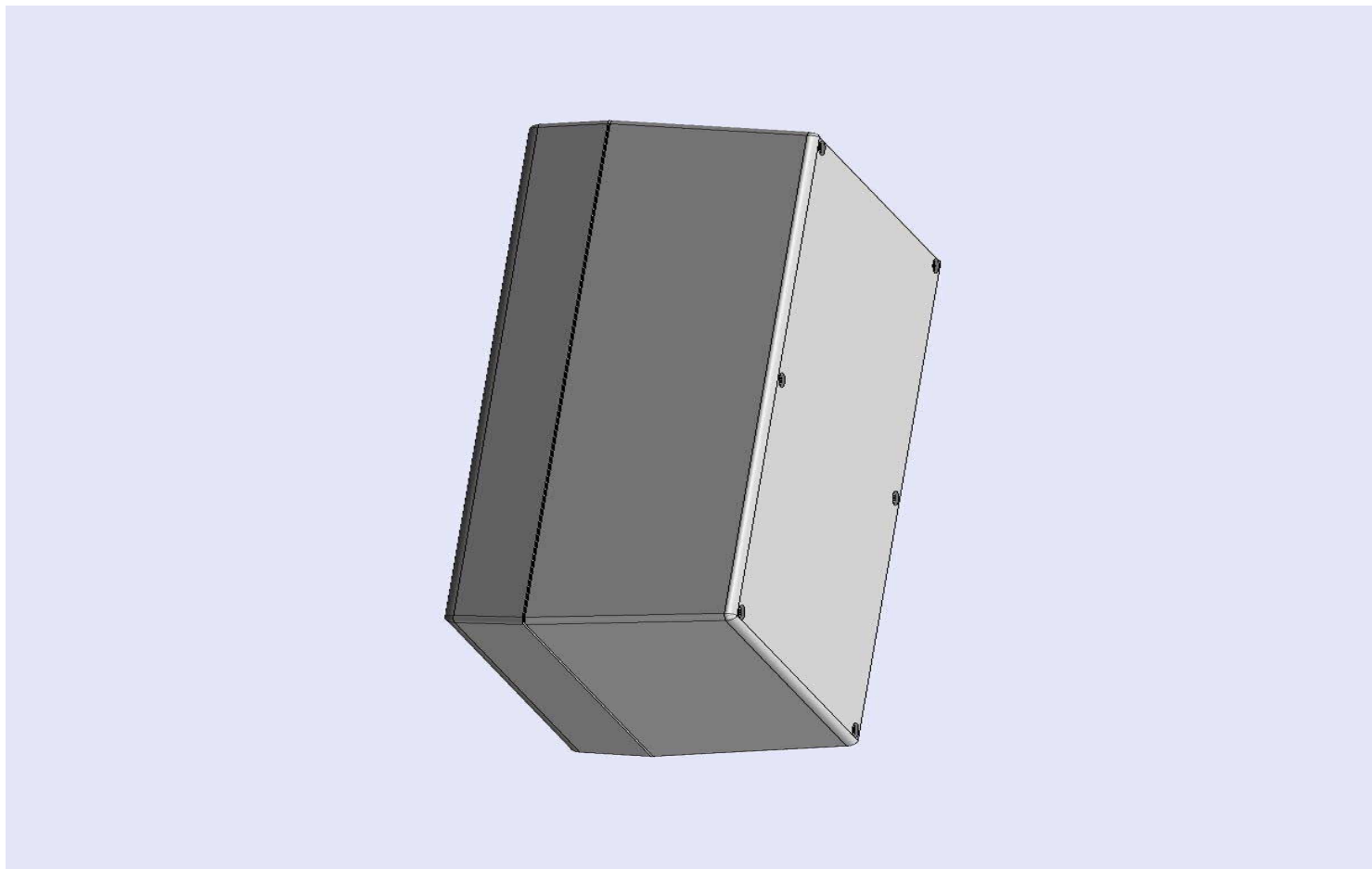


SERPAC 193R (3D exploded)

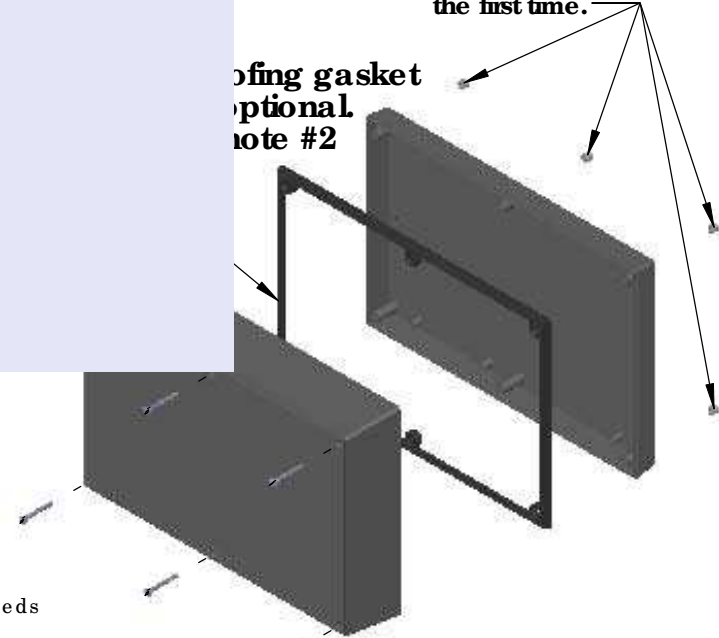
Electronic Enclosures

- Click on image to show toolbar. Use ▶|| to Play/Pause Animation.
- Left click and drag on image to move 3D model.



Threaded inserts only have to be assembled the first time.

Sealing gasket optional. Note #2



- a) Zoom in & out with center wheel.
- b) Pause at any moment to view and or print views.
- c) Change the views to ortho and section views if needed from the Views pull down menu.
- d) Explore options included in the tool bar like: Views, Transparency of model, Lighting type, etc.

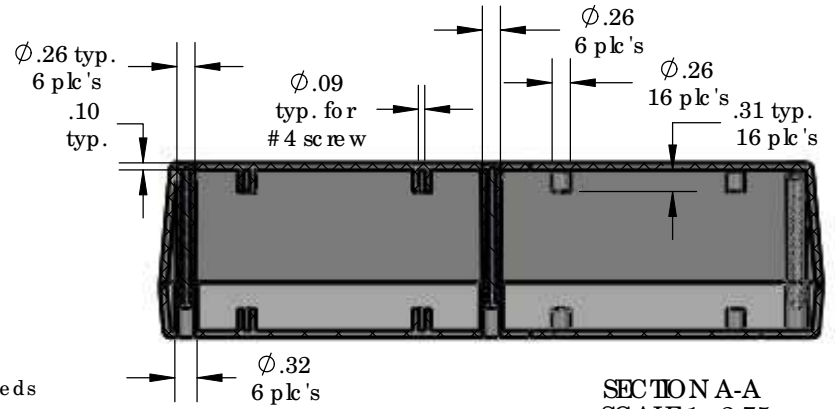
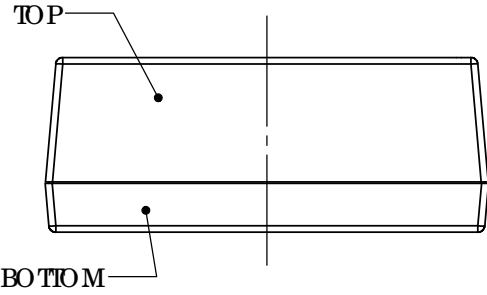
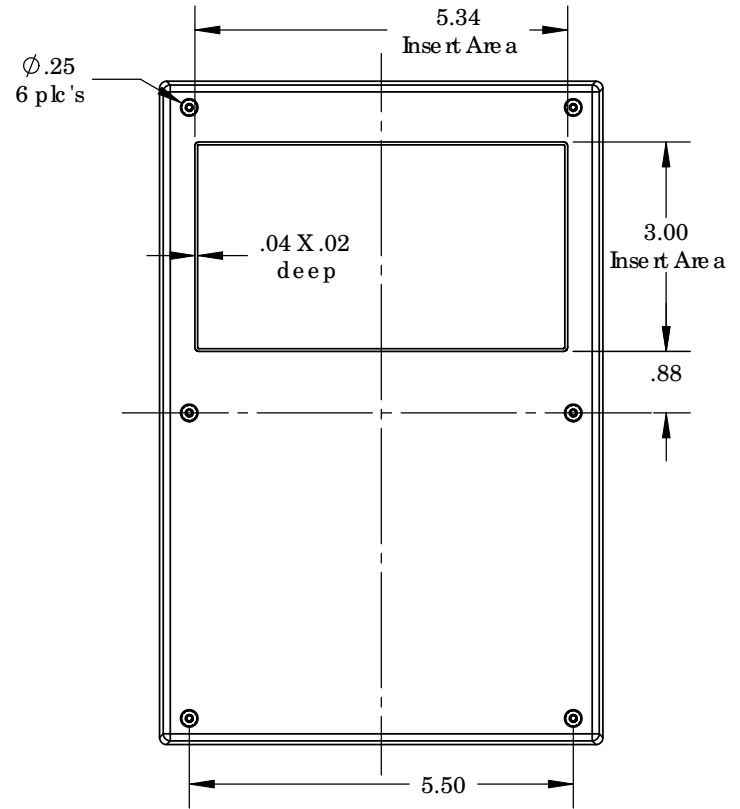
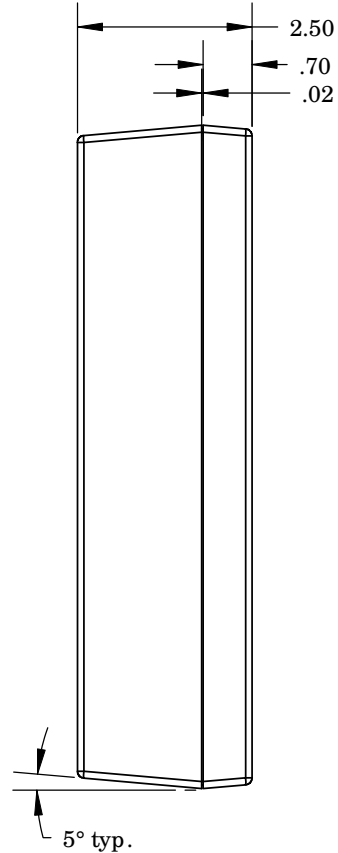
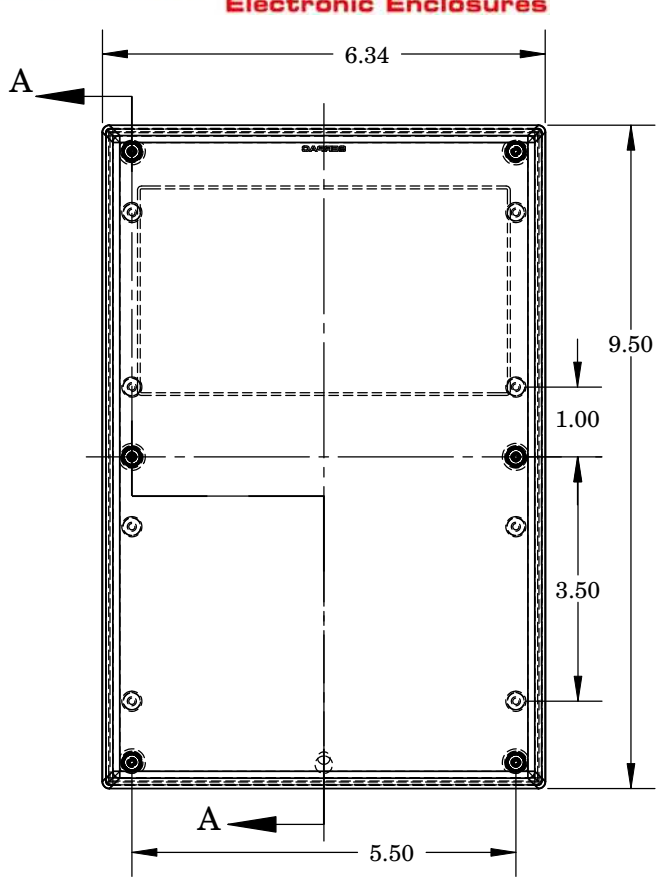
| PART NO. | DESCRIPTION (Included) | ACCESSORIES (Optional) | |
|----------|------------------------|------------------------|----------------|
| | | PART NO. | DESCRIPTION |
| 9-3R | TOP | | |
| 19 | BOTTOM | PS19 | Perimeter Seal |
| 6019 | 4-40 SCREW (6) | | |
| 6102 | THREADED INSERTS (6) | | |

- Notes: Enclosure weight .75 lbs/ 339 gm
- 1) Enclosure meets or exceeds IP40 and NEMA 1
 - 2) When used with PS19 the enclosure meets or exceeds IP 66 and NEMA 4X, 12 and 13 MIL/SID-810G 506.5
 - 3) Circuit Board drawings can be downloaded at: <http://www.serpac.com/Accessories/CircuitBoard/drawings/19X-CB.pdf>
 - 4) All components are RoHS compliant.

ALL DIMENSIONS ARE ±.010" 7/29/10 (1 of 2)
 2009 Wright Ave. La Verne, CA 91750
 Ph. (626) 331-0517 Ex. (626) 331-8584 serpac.com

SERPAC 193R (user print)

Electronic Enclosures



| PART NO. | DESCRIPTION (Included) | ACCESSORIES (Optional) | |
|----------|------------------------|------------------------|----------------|
| 9-3R | TOP | PART NO. | DESCRIPTION |
| 19 | BOTTOM | PS19 | Perimeter Seal |
| 6019 | 4-40 SCREW (6) | | |
| 6102 | THREADED INSERTS (6) | | |

Notes: Enclosure weight .75 lbs / 339 gm
 1) Enclosure meets or exceeds IP40 and NEMA 1
 2) When used with PS19 the enclosure meets or exceeds IP 67 and NEMA 4X, 12 and 13 MIL-STD-810G 506.5
 3) Circuit Board drawings can be downloaded at:
http://www.serpac.com/Accessories/CircuitBoard/drawing/19X_CB.pdf
 4) All components are RoHS Compliant.

SECTION A-A
 SCALE 1 : 2.75

ALL DIMENSIONS ARE ± .010" 7/29/10 (2 of 2)
 2009 Wright Ave. La Verne, CA 91750
 Ph. (626) 331-0517 Ex. (626) 331-8584 www.serpac.com