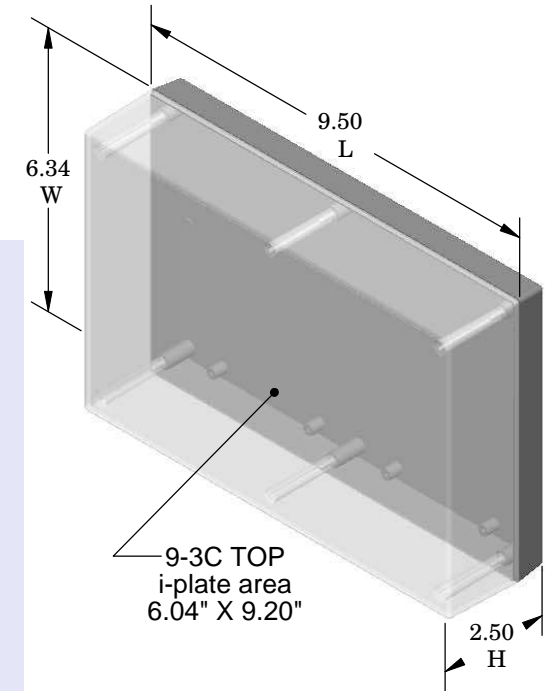
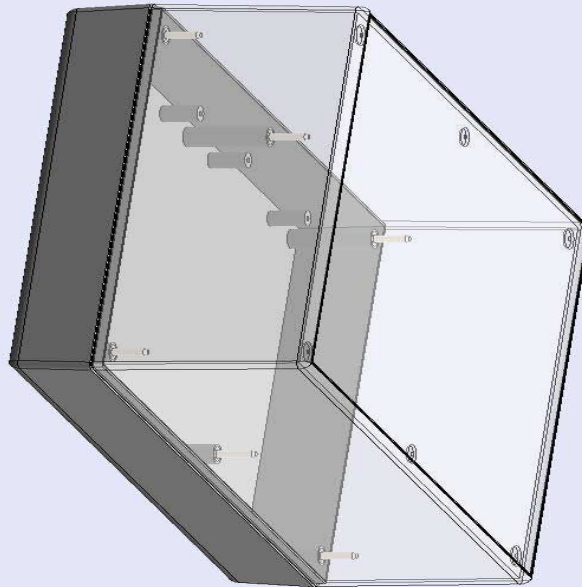


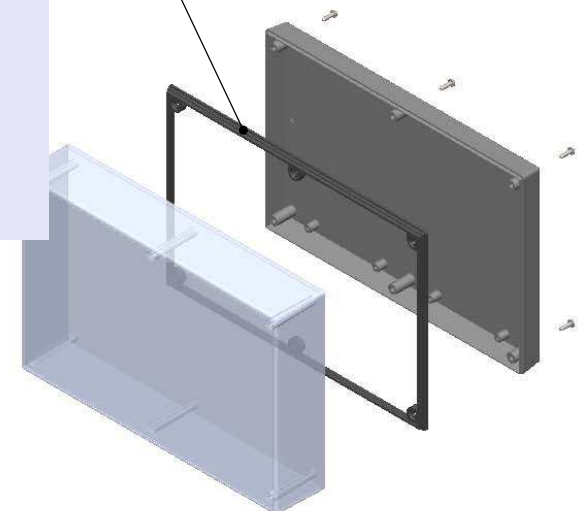
SERPAC 193C (3D exploded)

Electronic Enclosures

- Click on image to show toolbar. Use ▶ || to Play/Pause Animation*.
- Left click and drag on image to move 3D model.



Waterproofing gasket
PS19 optional.
 see note #2



- a) Zoom in & out with center wheel.
 - b) Pause at any moment to view and or print views.
 - c) Change the views to ortho and section views if needed from the Views pull down menu.
 - d) Explore options included in the tool bar like: Views, Transparency of model, Lighting type, etc.
- *(To have full interaction with the animated PDF files, please use free Adobe Reader 9 or newer version.)*

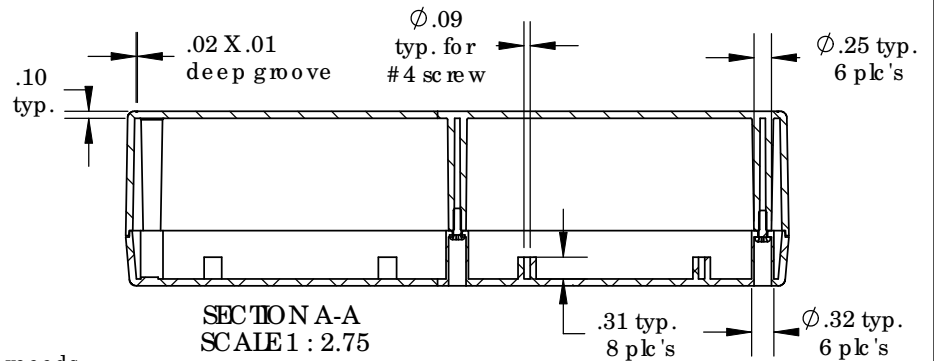
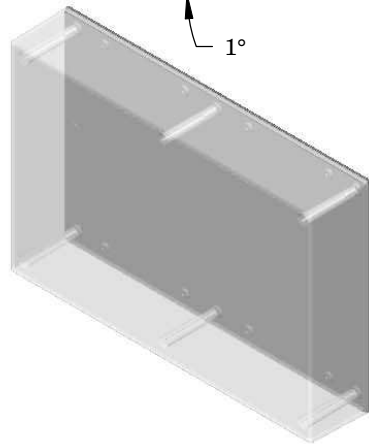
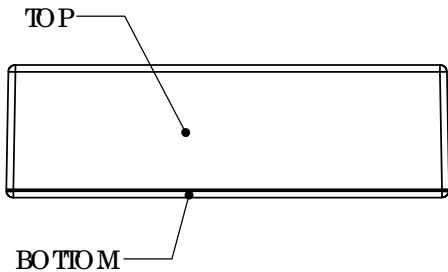
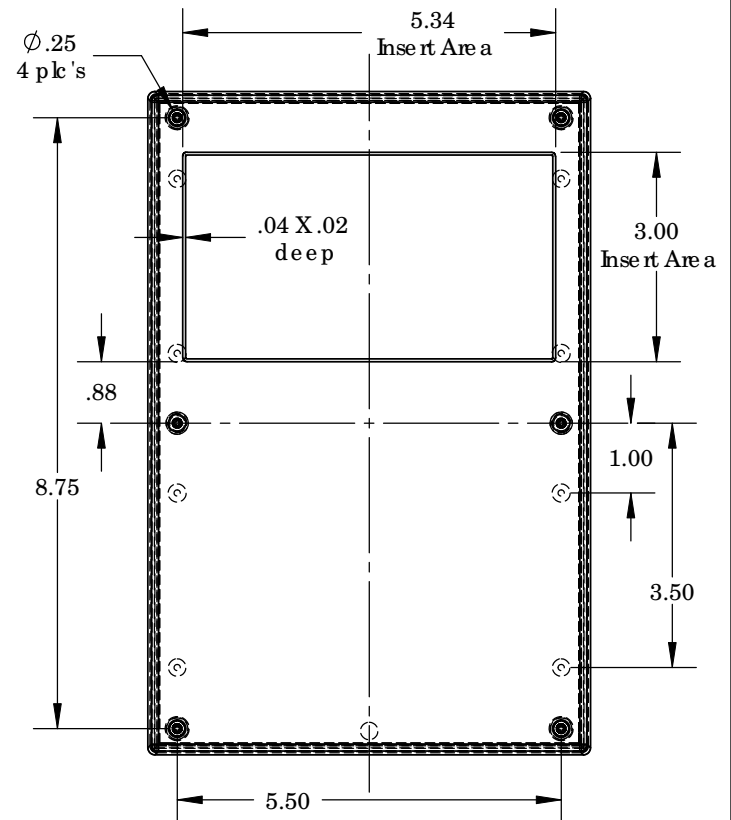
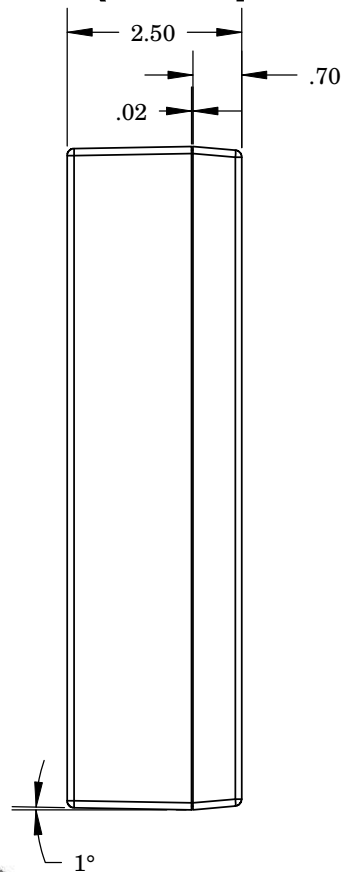
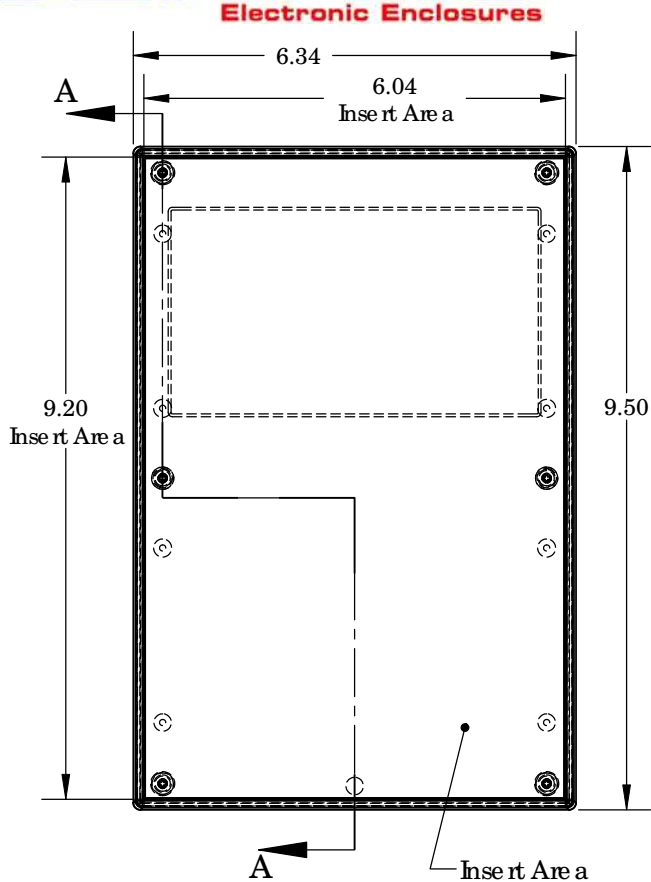
| PART NO. | DESCRIPTION (Included) | ACCESSORIES (Optional) More available; see website | |
|----------|---------------------------|--|-------------------------|
| | | PART NO. | DESCRIPTION |
| 9-3C | TOP (Clear Polycarbonate) | | |
| 19 | BOTTOM | 50 | Non-skid Feet |
| 6005 | #4X3/8" Self tapping (6) | PS19 | Perimeter Seal |
| | | 6004 | Screw for circuit board |

- Notes: Enclosure weight .80 lbs / 364 gm
- 1) Enclosure meets or exceeds IP40 and NEMA 1
 - 2) When used with PS19 the enclosure meets or exceeds IP 67 and NEMA 4X, 12 and 13 MIL-STD-810G 506.5
 - 3) Circuit Board drawings can be downloaded at: <http://www.serpac.com/Products/Series/x9x/drawings/19X-CB.pdf>
 - 4) All components are RoHS Compliant.

ALL DIMENSIONS ARE ±.010" 5/04/10 (1 of 2)
 2009 Wright Ave. La Verne, CA 91750
 Ph. (626) 331-0517 Ex. (626) 331-8584 serpac.com

SERPAC 193C (user print)

Electronic Enclosures



| PART NO. | DESCRIPTION (Included) | ACCESSORIES (Optional) More available; see website | |
|----------|---------------------------|--|-------------------------|
| 9-3C | TOP (Clear Polycarbonate) | PART NO. | DESCRIPTION |
| 19 | BOTTOM | 50 | Non-skid Feet |
| 6005 | #4X3/8" self tapping (4) | PS19 | Perimeter Seal |
| | | 6004 | Screw for circuit board |

Notes: Enclosure weight .80 lbs/ 364 gm
 1) Enclosure meets or exceeds IP40 and NEMA 1
 2) When used with PS19 the enclosure meets or exceeds IP 67 and NEMA 4X, 12 and 13 MIL-STD-810G 506.5
 3) Circuit Board drawings can be downloaded at:
<http://www.serpac.com/Products/Series/x9x/drawings/19X-CB.pdf>
 4) All components are RoHS Compliant.

ALL DIMENSIONS ARE ±.010" 5/04/10 (2 of 2)
 2009 Wright Ave. La Verne, CA 91750
 Ph. (626) 331-0517 Ex. (626) 331-8584 www.serpac.com