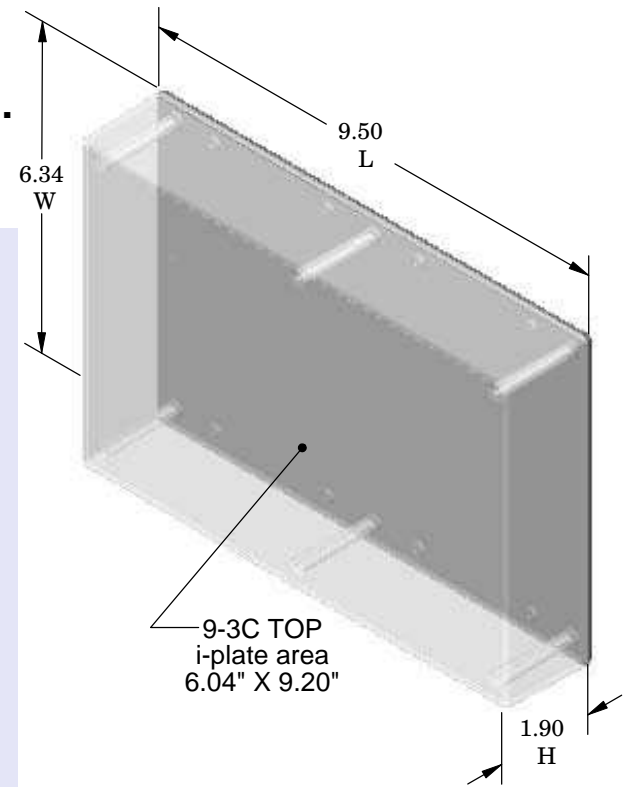
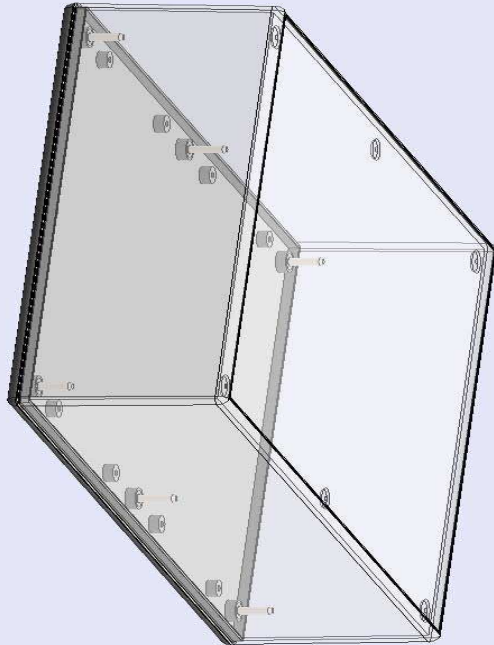


# SERPAC 093C (3D exploded)

Electronic Enclosures

- Click on image to show toolbar. Use  to Play/Pause Animation\*.
- Left click and drag on image to move 3D model.



- a) Zoom in & out with center wheel.
  - b) Pause at any moment to view and or print views.
  - c) Change the views to ortho and section views if needed from the Views pull down menu.
  - d) Explore options included in the tool bar like: Views, Transparency of model, Lighting type, etc.
- \* To have full interaction with the PDF files, please use free Adobe Reader 9 or newer version.

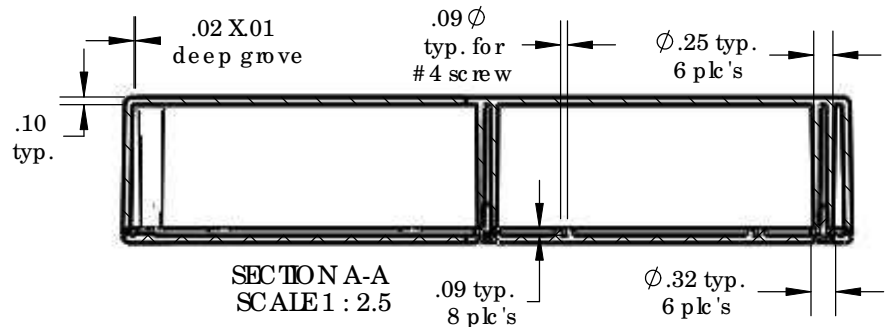
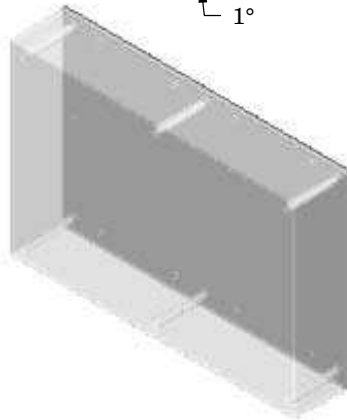
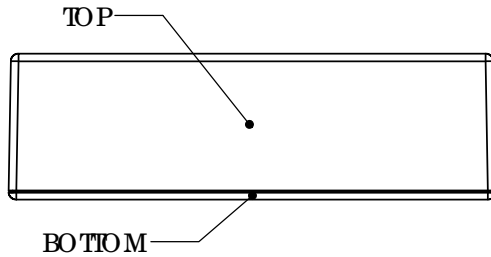
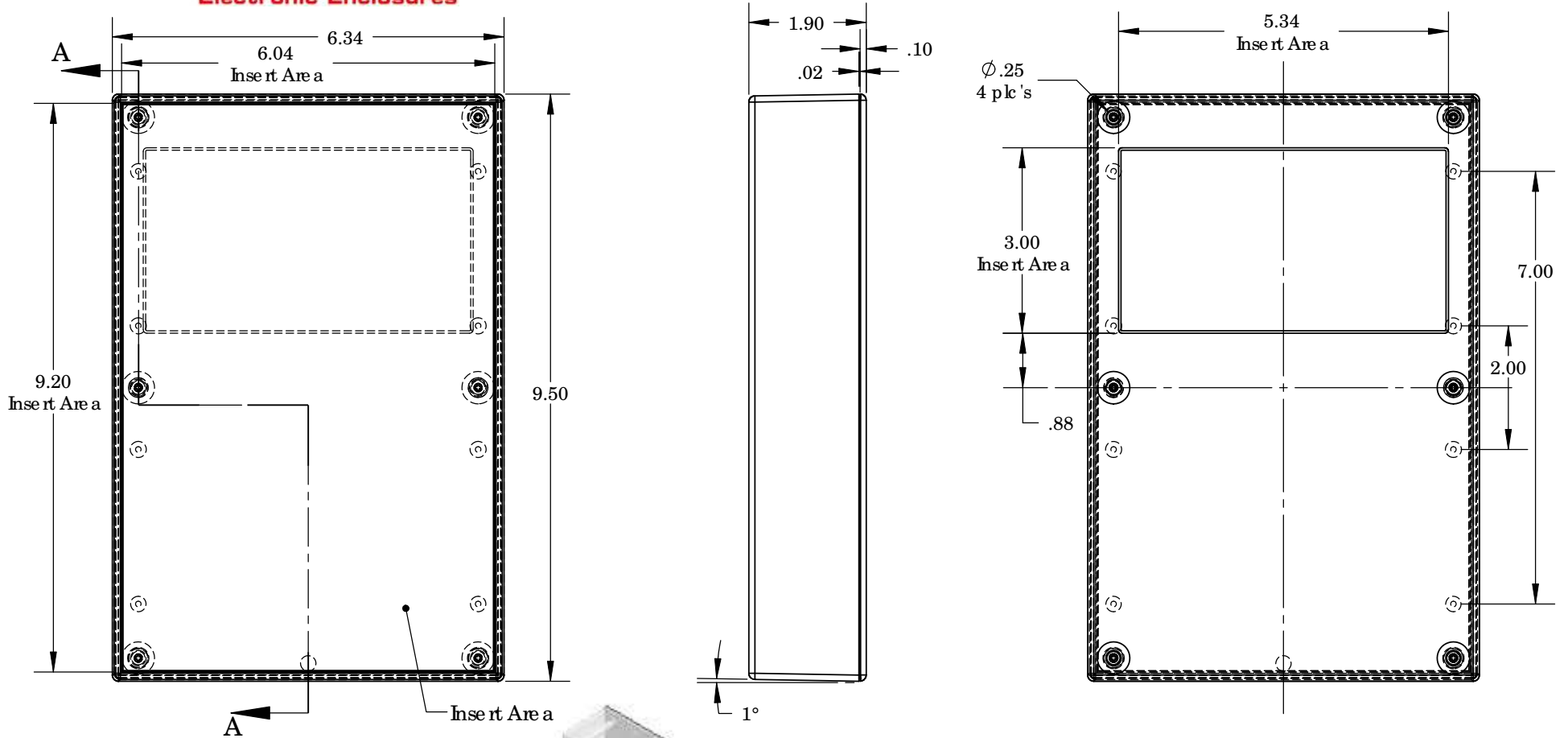
Notes: Enclosure weight .72 lbs / 329 gm  
 1) Enclosure meets or exceeds IP40 and NEMA 1  
 2) Circuit Board drawings can be downloaded at:  
<http://www.serpac.com/Products/Series/x9x/drawings/19X-CB.pdf>  
 3) All components are RoHS Compliant.

PART NO.	DESCRIPTION (Included)	ACCESSORIES (Optional) More available; see website	
9-3C	TOP (Clear Polycarbonate)	PART NO.	DESCRIPTION
09	BOTTOM	51	Non-skid Feet
6005	#4X3/8" Self tapping (6)	6013	Screw for circuit board

ALL DIMENSIONS ARE ±.010" 5/12/10 (1 of 2)  
 2009 Wright Ave. La Verne, CA 91750  
 Ph. (626) 331-0517 Ex. (626) 331-8584 serpac.com

# SERPAC 093C (user print)

Electronic Enclosures



PART NO.	DESCRIPTION (Included)	ACCESSORIES (Optional) More available; see website	
		PART NO.	DESCRIPTION
9-3C	TOP (Clear Polycarbonate)		
09	BOTTOM	51	Non-skid Feet
6005	#4X3/8" self tapping (6)	6013	Screw for circuit board

Notes:  
 1) Enclosure weight .72 lbs / 329 gm  
 2) Enclosure meets or exceeds IP40 and NEMA 1  
 3) Circuit Board drawings can be downloaded at:  
<http://www.serpac.com/Products/Series/x9x/drawings/19X-CB.pdf>  
 3) All components are RoHS compliant.

ALL DIMENSIONS ARE ± .010" 5/12/10 (2 of 2)  
 2009 Wright Ave. La Verne, CA 91750  
 Ph. (626) 331-0517 Ex. (626) 331-8584 www.serpac.com