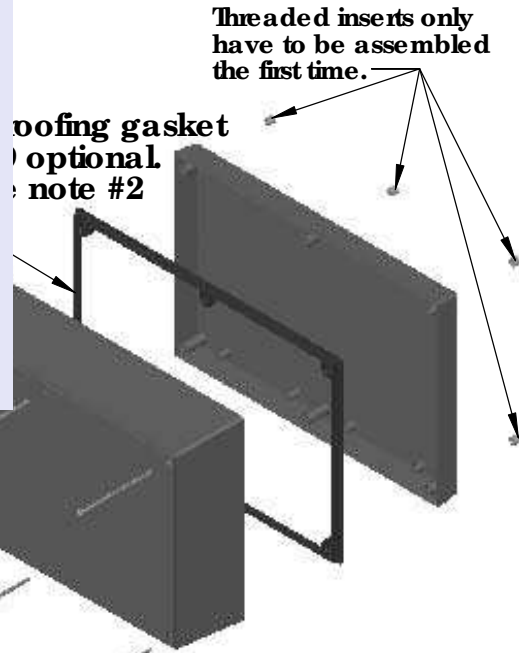
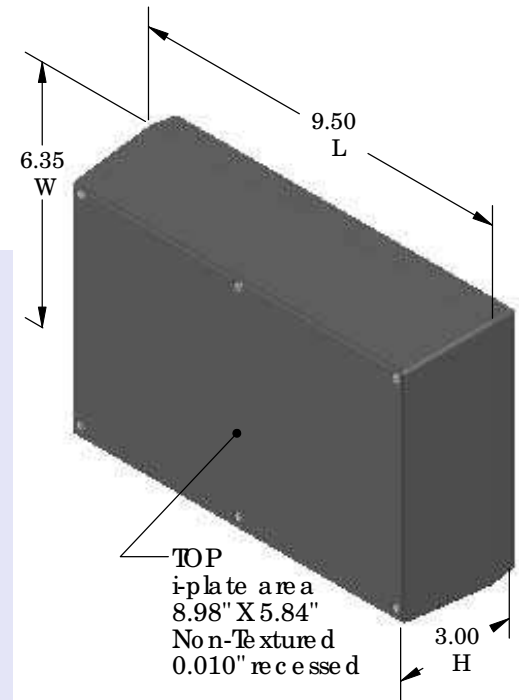
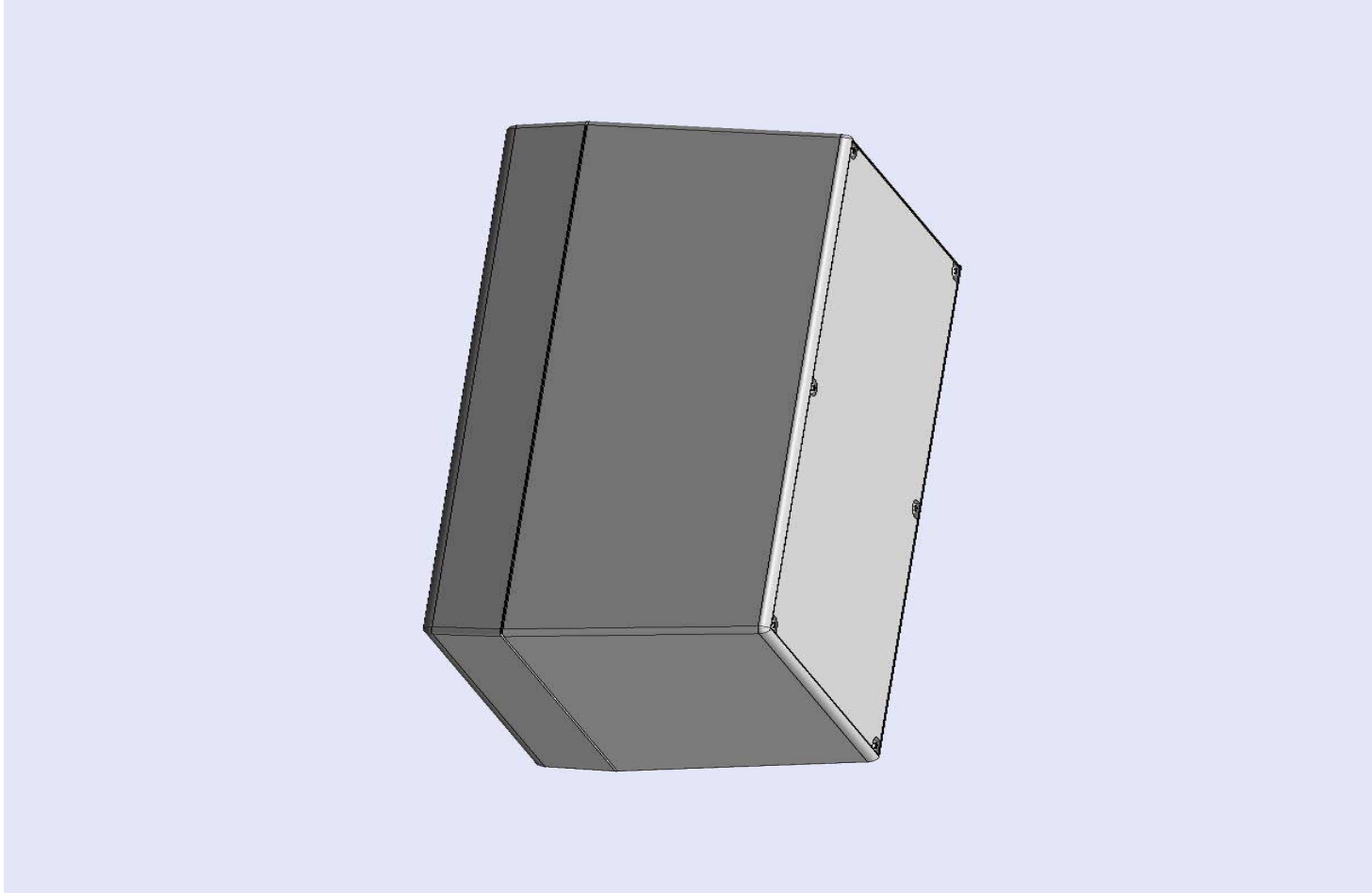


SERPAC 194Ri (3D exploded)

Electronic Enclosures

-Click on image to show toolbar. Use  to Play/Pause Animation.
-Left click and drag on image to move 3D model.



- a) Zoom in & out with center wheel.
- b) Pause at any moment to view and or print views.
- c) Change the views to ortho and section views if needed from the Views pull down menu.
- d) Explore options included in the tool bar like: Views, Transparency of model, Lighting type, etc.

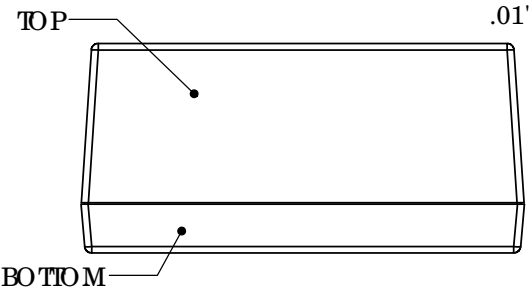
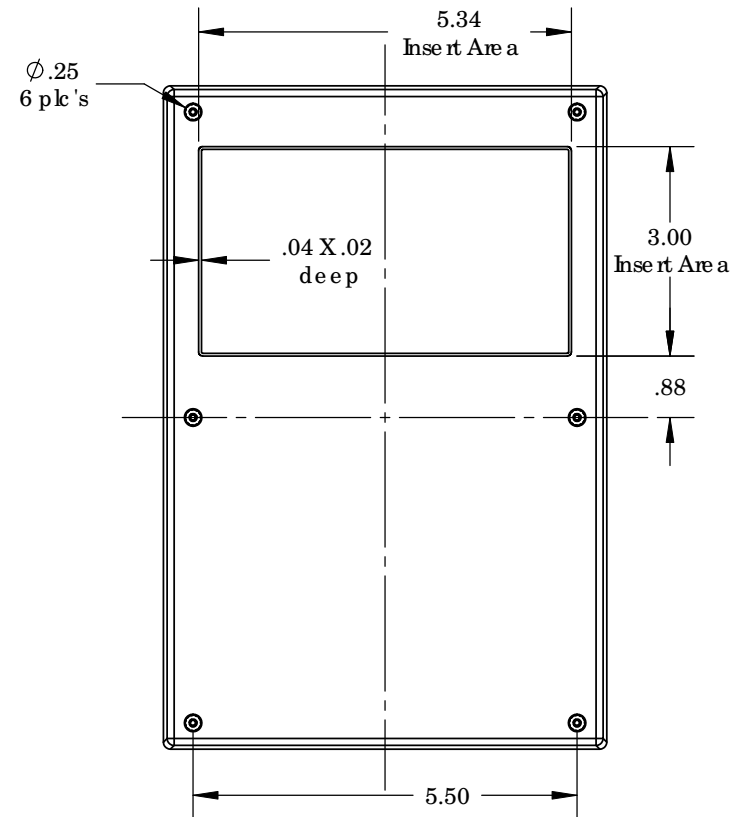
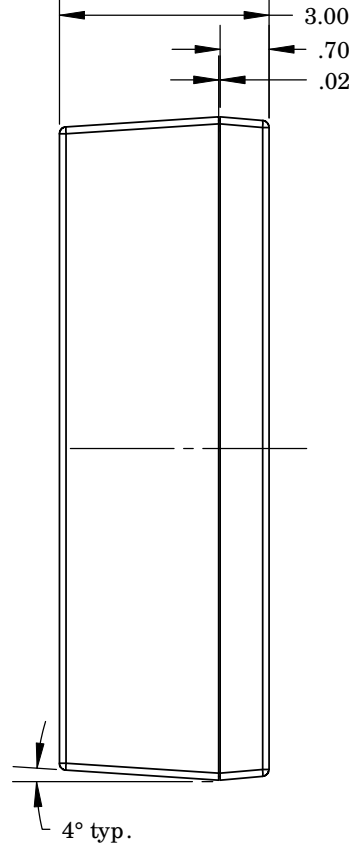
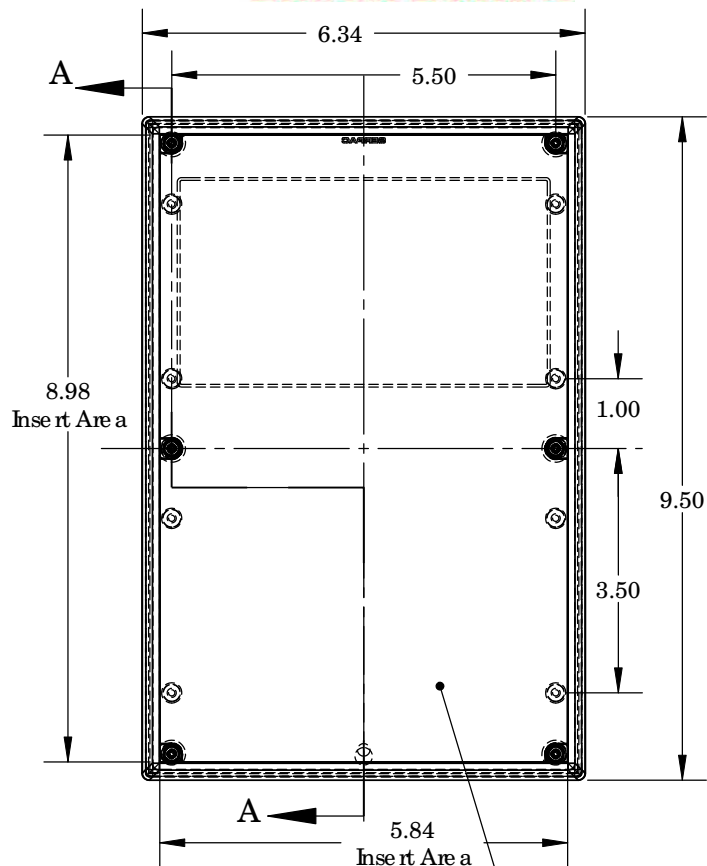
PART NO.	DESCRIPTION (Included)	ACCESSORIES (Optional)	
9-4Ri	TOP	PART NO.	DESCRIPTION
19	BOTTOM	PS19	Perimeter Seal
6020	4-40 SCREW (6)		
6102	THREADED INSERTS (6)		

Notes: Enclosure weight .79 lbs / 358 gm
 1) Enclosure meets or exceeds IP40 and NEMA 1
 2) When used with PS19 the enclosure meets or exceeds IP 66 and NEMA 4X, 12 and 13 MILSID-810G 506.5
 3) Circuit Board drawings can be downloaded at:
<http://www.serpac.com/Accessories/CircuitBoard/drawings/19X-CB.pdf>
 4) All components are RoHS compliant.

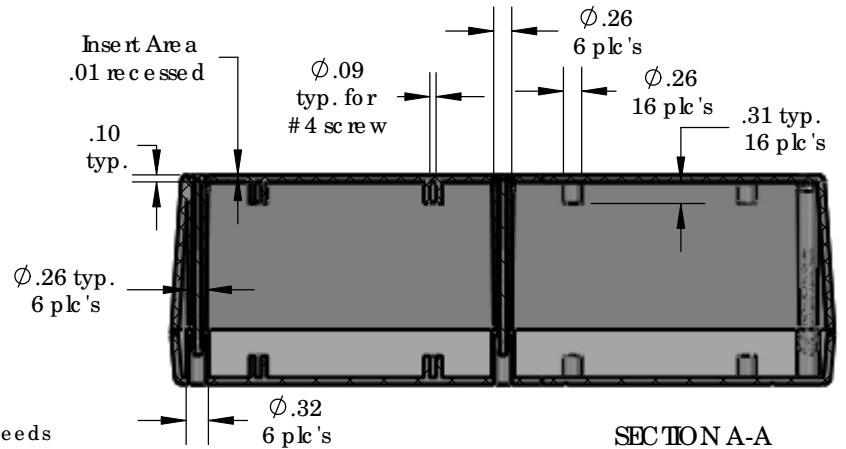
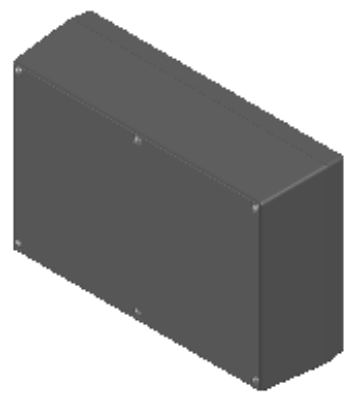
ALL DIMENSIONS ARE ± .010" 7/29/10 (1 of 2)
 2009 Wright Ave. La Verne, CA 91750
 Ph. (626) 331-0517 Ex. (626) 331-8584 serpac.com

SERPAC 194Ri (user print)

Electronic Enclosures



Insert Area
Non-Textured
.01" recessed



SECTION A-A
SCALE 1 : 2.75

PART NO.	DESCRIPTION (Included)	ACCESSORIES (Optional)	
9-4Ri	TOP	PART NO.	DESCRIPTION
19	BOTTOM	PS19	Perimeter Seal
6020	4-40 SCREW (6)		
6102	THREADED INSERTS (6)		

Notes: Enclosure weight .79 lbs / 358 gm
 1) Enclosure meets or exceeds IP40 and NEMA 1
 2) When used with PS-19 the enclosure meets or exceeds IP 67 and NEMA 4X, 12 and 13 MIL-SID-810G 506.5
 3) Circuit Board drawings can be downloaded at:
http://www.serpac.com/Accessories/CircuitBoard/drawings/19X_CB.pdf
 4) All components are RoHS Compliant.