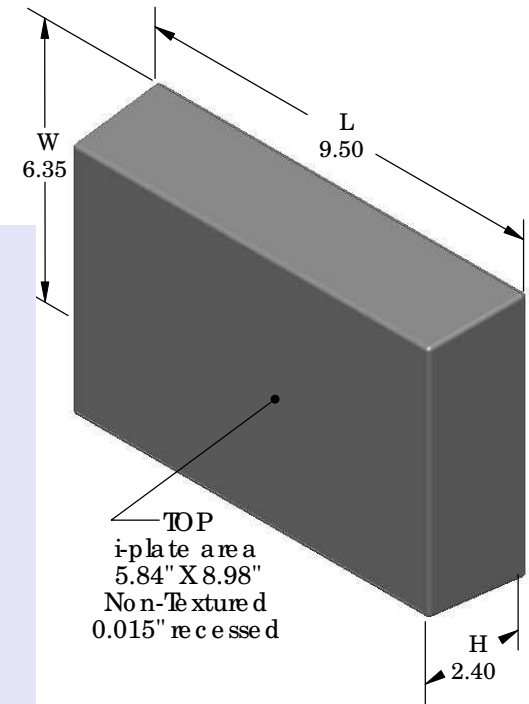
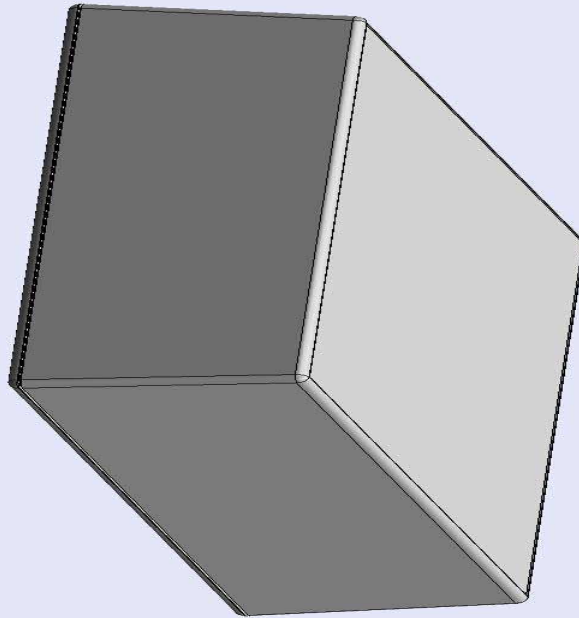


# SERPAC 094i (exploded isometric)

Electronic Enclosures

- Click on image to show toolbar. Use ▶ || to Play/Pause Animation.
- Left click and drag on image to move 3D model.



- a) Zoom in & out with center wheel.
- b) Pause at any moment to view and or print views.
- c) Change the views to ortho and section views if needed from the Views pull down menu.
- d) Explore options included in the tool bar like: Views, Transparency of model, Lighting type, etc.

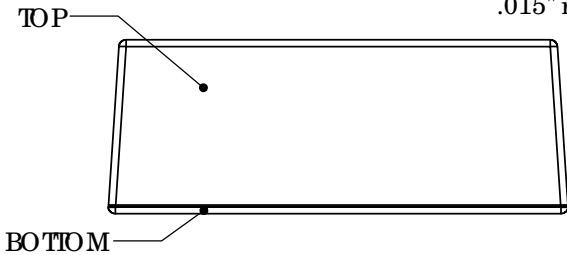
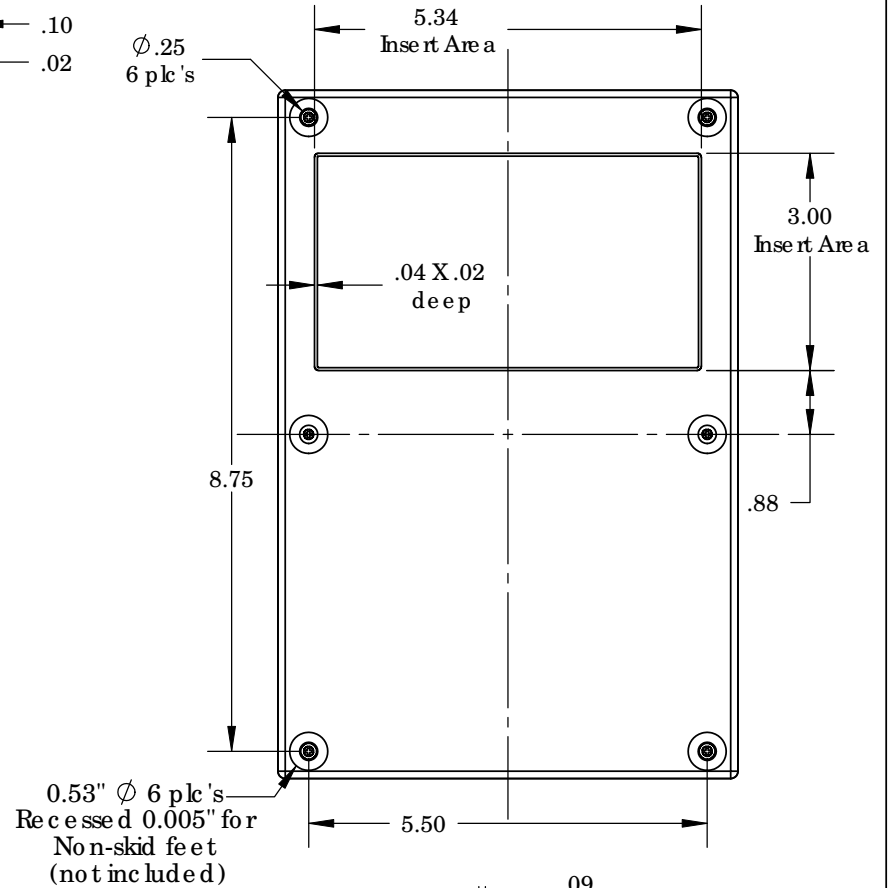
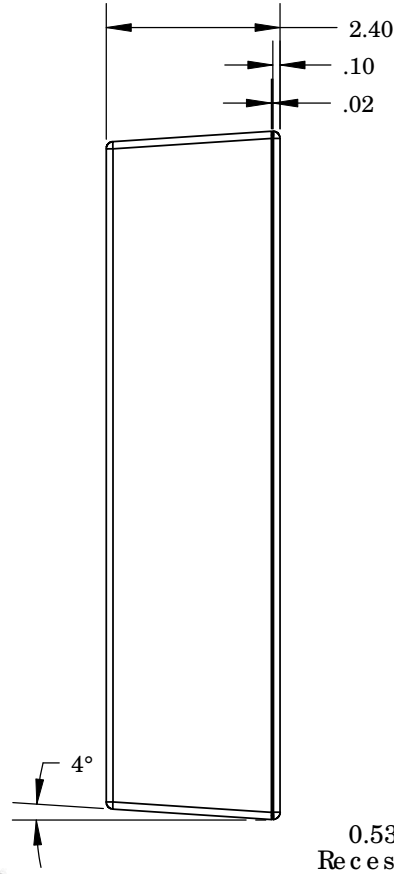
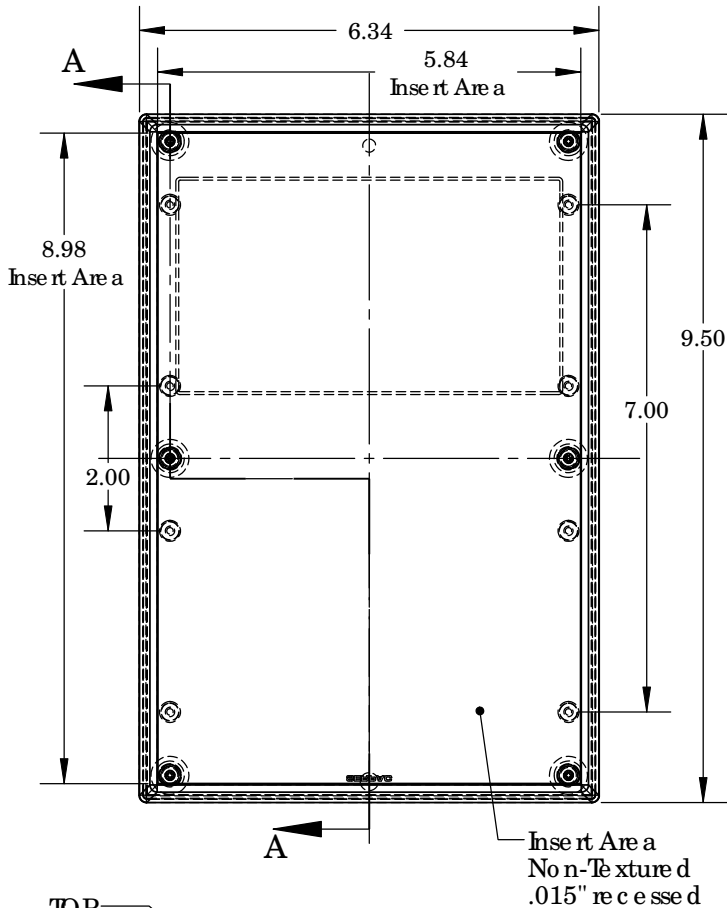
PART NO.	DESCRIPTION (Included)	ACCESSORIES (Optional)	
9-4-i	TOP	PART NO.	DESCRIPTION
09	BOTTOM	51	Non-skid Feet
6005	#4X3/8" Self tapping (6)		

Notes: Enclosure weight .69 lbs / 312 gm  
 1) Enclosure meets or exceeds IP40 and NEMA 1  
 2) Circuit Board drawings can be download at:  
[http://www.serpac.com/Products/Series/x9x/drawings/09X\\_top-CB.pdf](http://www.serpac.com/Products/Series/x9x/drawings/09X_top-CB.pdf)  
 3) All components are RoHS Compliant.

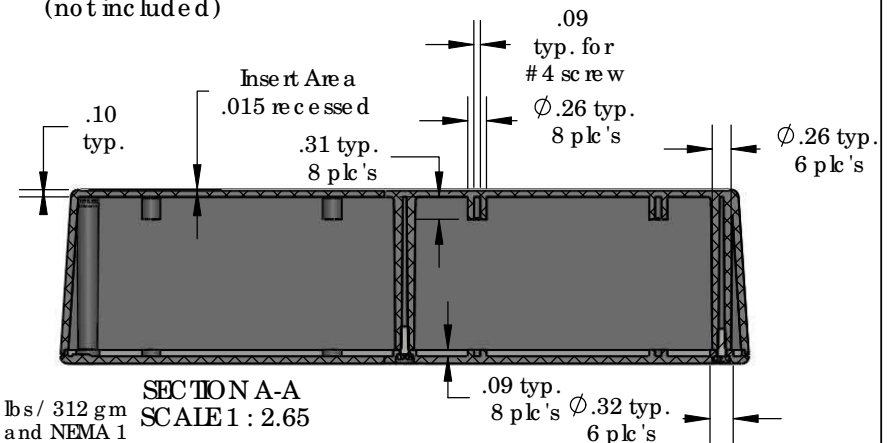
ALL DIMENSIONS ARE ±.010" 3/18/10 (1 of 2)  
 619 Commercial Ave. Covina, CA 91723  
 Ph. (626) 331-0517 Ex. (626) 331-8584 serpac.com

# SERPAC 094i (user print)

Electronic Enclosures



Insert Area  
Non-Textured  
.015" recessed



SECTION A-A  
SCALE 1 : 2.65

PART NO.	DESCRIPTION (Included)	ACCESSORIES (Optional)	
9-4-i	TOP	PART NO.	DESCRIPTION
09	BOTTOM	51	Non-skid Feet
6005	#4X3/8" Self tapping (6)		

Notes: Enclosure weight .69 lbs / 312 gm

1) Enclosure meets or exceeds IP40 and NEMA 1

2) Circuit Board drawings can be downloaded at:

[http://www.sempac.com/Products/Series/x9x/drawings/09X\\_top-CB.pdf](http://www.sempac.com/Products/Series/x9x/drawings/09X_top-CB.pdf)

3) All components are RoHS Compliant.

ALL DIMENSIONS ARE  $\pm .010"$  3/18/10 (2 of 2)  
619 Commercial Ave. Covina, CA 91723

Ph. (626) 331-0517 Ex. (626) 331-8584 [www.sempac.com](http://www.sempac.com)