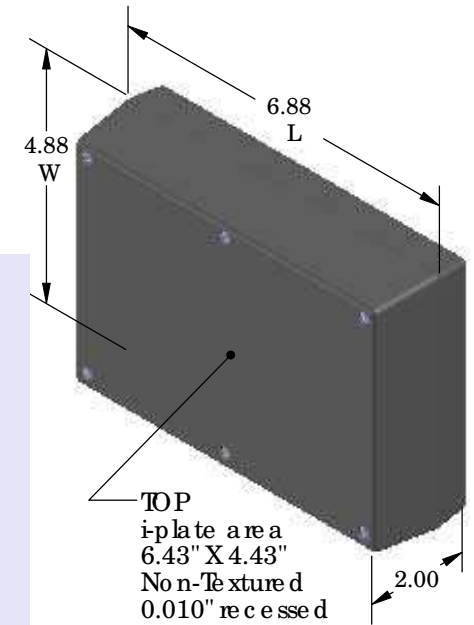
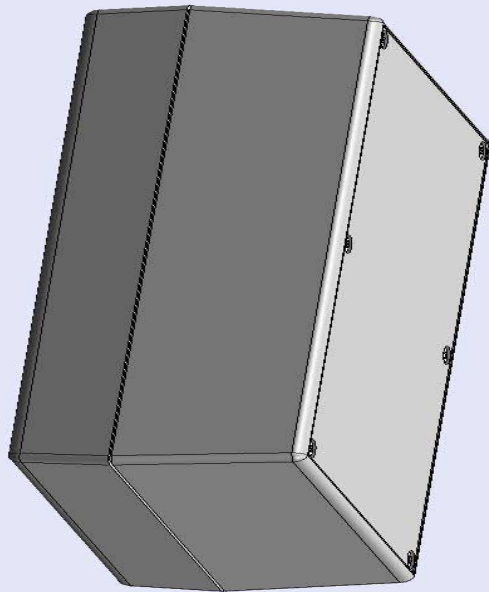


SERPAC 172Ri (3D exploded)

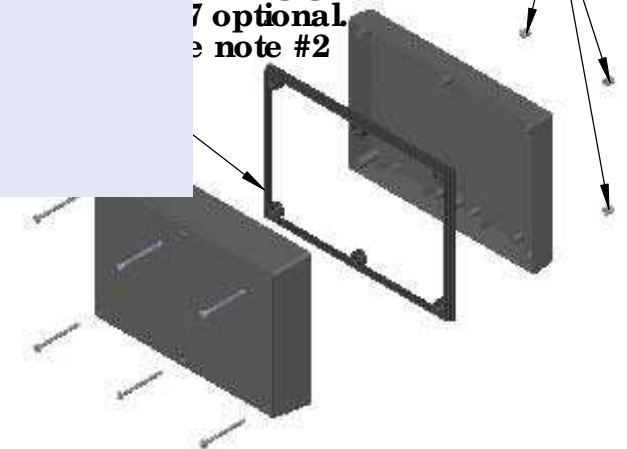
Electronic Enclosures

- Click on image to show toolbar. Use to Play/Pause Animation.
- Left click and drag on image to move 3D model.



Threaded inserts only have to be assembled the first time.

roofing gasket
7 optional
see note #2



- a) Zoom in & out with center wheel.
- b) Pause at any moment to view and or print views.
- c) Change the views to ortho and section views if needed from the Views pull down menu.
- d) Explore options included in the tool bar like: Views, Transparency of model, Lighting type, etc.

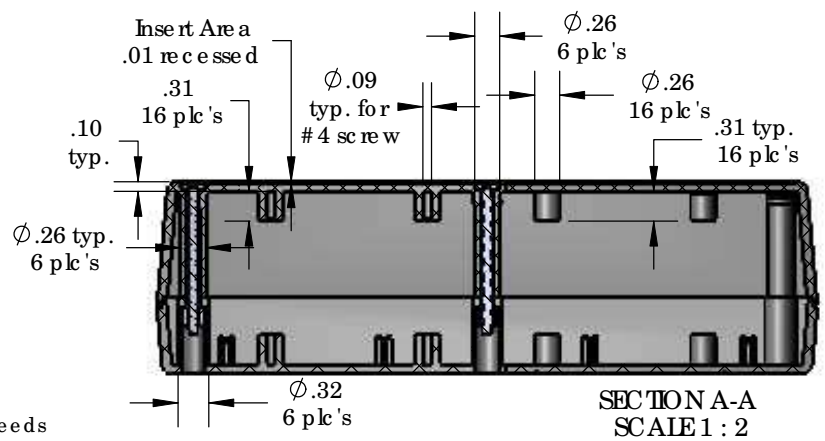
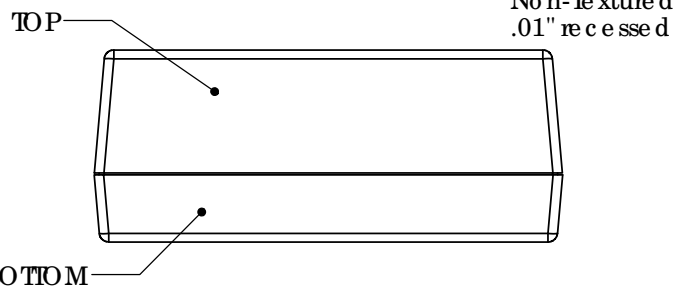
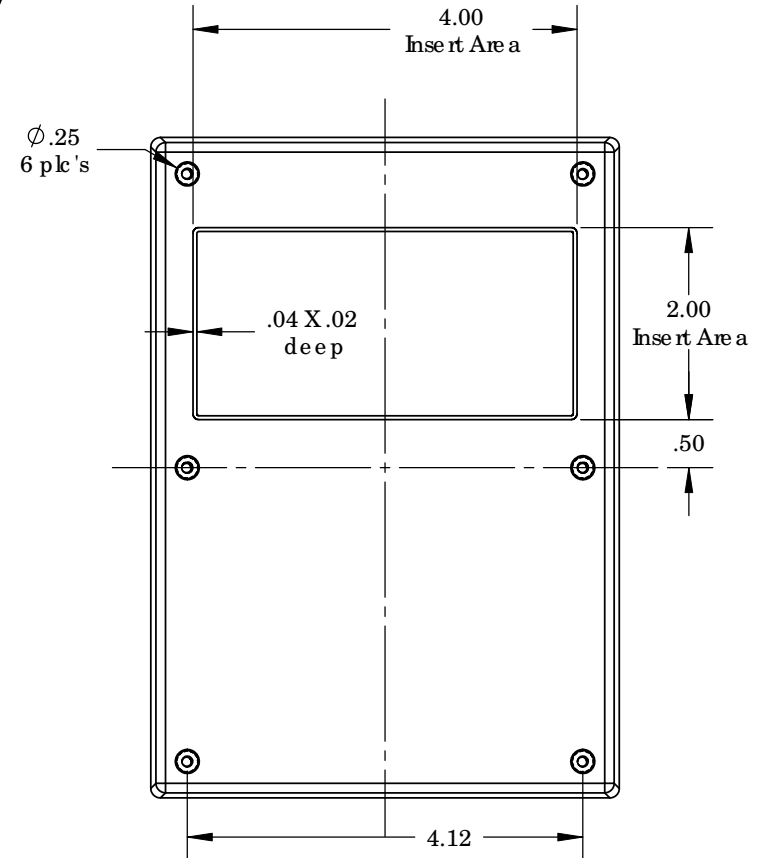
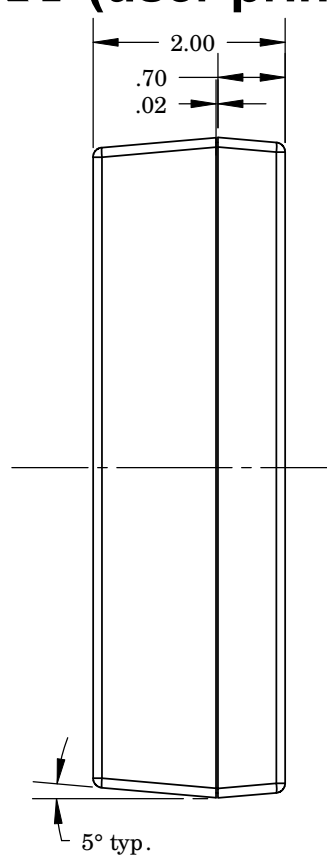
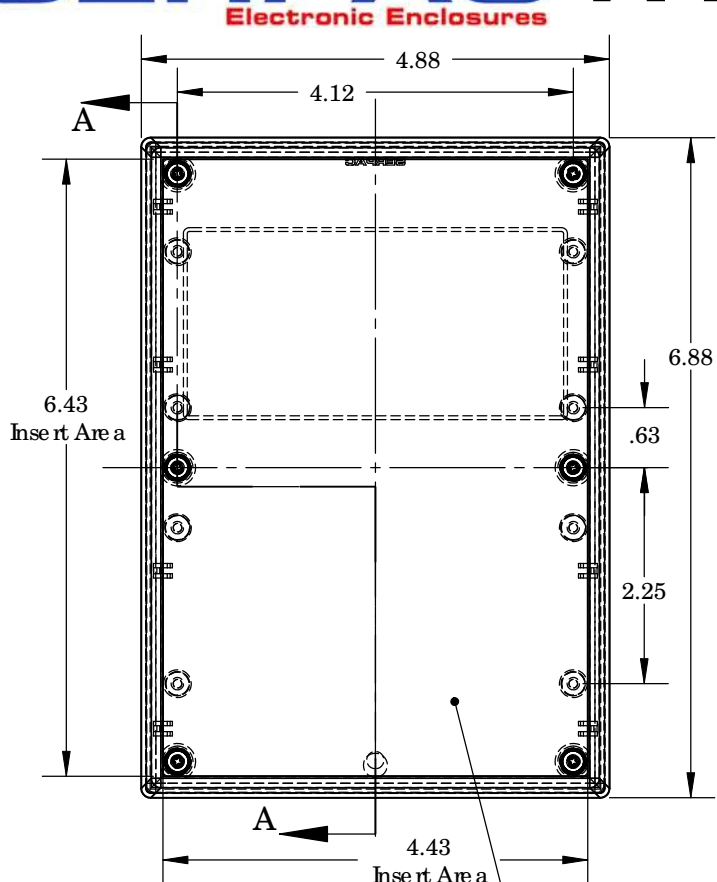
PART NO.	DESCRIPTION (Included)	ACCESSORIES (Optional)	
7-2Ri	TOP	PART NO.	DESCRIPTION
17	BOTTOM	PS17	Perimeter Seal
6018	4-40 SCREW (6)	370	Prototype Grid Circuit Board
6102	THREADED INSERTS (6)	470	Prototype Clad Circuit Board

Notes: Enclosure weight .45 lbs / 206 gm
 1) Enclosure meets or exceeds IP40 and NEMA 1
 2) When used with PS17 the enclosure meets or exceeds IP 67 and NEMA 4X, 12 and 13 MIL-SID-810G 506.5
 3) Circuit Board drawings can be downloaded at:
<http://www.serpac.com/Accessories/CircuitBoard/drawings/370-470-cbc.pdf>
 4) All components are RoHS Compliant.

ALL DIMENSIONS ARE ± .010" 7/29/10 (1 of 2)
 2009 Wright Ave. La Verne, CA 91750
 Ph. (626) 331-0517 Ex. (626) 331-8584 serpac.com

SERPAC 172Ri (user print)

Electronic Enclosures



PART NO.	DESCRIPTION (Included)	ACCESSORIES (Optional)	
7-2R1	TOP	PART NO.	DESCRIPTION
17	BOTTOM	PS17	Perimeter Seal
6018	4-40 SCREW (6)	370	Prototype Grid Circuit Board
6102	THREADED INSERTS (6)	470	Prototype Clad Circuit Board

Notes: Enclosure weight .45 lbs / 206 gm
 1) Enclosure meets or exceeds IP40 and NEMA 1
 2) When used with PS17 the enclosure meets or exceeds IP 67 and NEMA 4X, 12 and 13 MIL-STD-810G 506.5
 3) Circuit Board drawings can be downloaded at: <http://www.serpac.com/Accessories/CircuitBoard/drawings/370-470-cbg.pdf>
 4) All components are RoHS Compliant.

ALL DIMENSIONS ARE ± .010" 7/29/10 (2 of 2)
 2009 Wright Ave. La Verne, CA 91750
 Ph. (626) 331-0517 Ex. (626) 331-8584 www.serpac.com