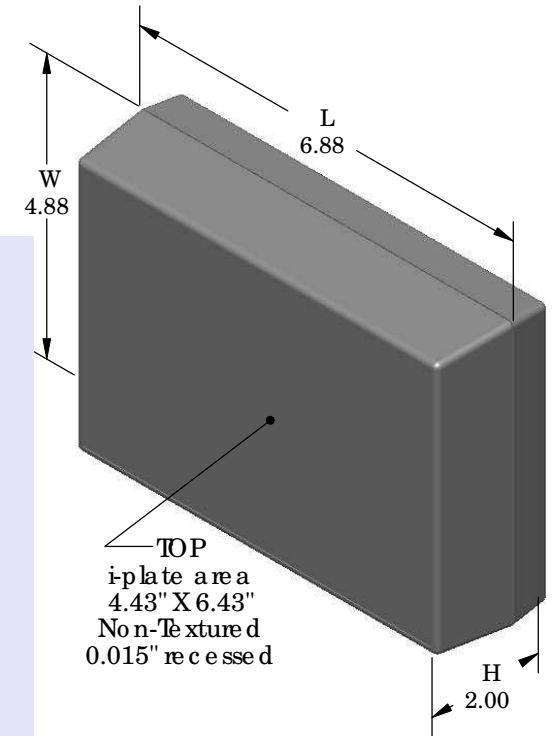
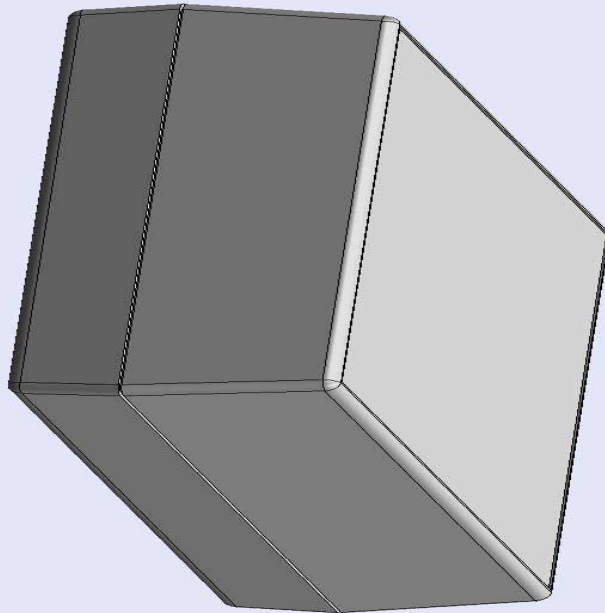


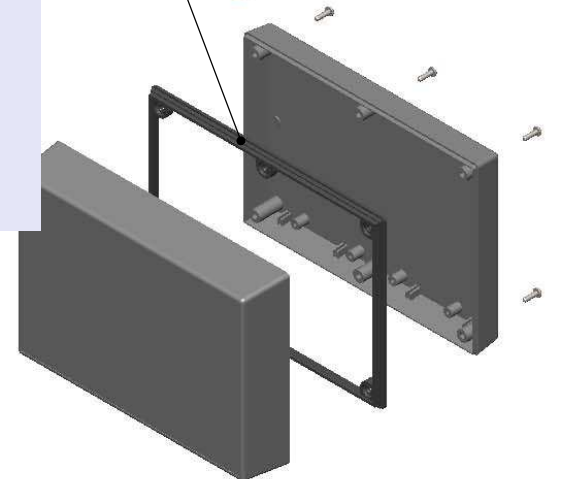
SERPAC172i (exploded isometric)

Electronic Enclosures

- Click on image to show toolbar. Use ▶|| to Play/Pause Animation.
- Left click and drag on image to move 3D model.



Waterproofing gasket
PS17 optional
see note #2



- a) Zoom in & out with center wheel.
- b) Pause at any moment to view and or print views.
- c) Change the views to ortho and section views if needed from the Views pull down menu.
- d) Explore options included in the tool bar like: Views, Transparency of model, Lighting type, etc.

| PART NO. | DESCRIPTION (Included) | ACCESSORIES (Optional) | |
|----------|--------------------------|------------------------|----------------------|
| 7-2-i | TOP | PART NO. | DESCRIPTION |
| 17 | BOTTOM | 50 | Non-skid Feet |
| 6005 | #4X3/8" Self tapping (6) | PS17 | Perimeter Seal |
| | | 370 | Prototype grid board |
| | | 470 | Prototype clad board |

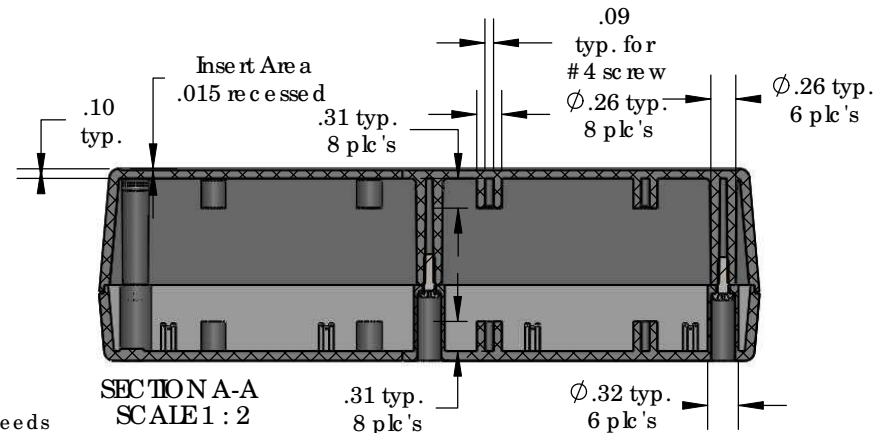
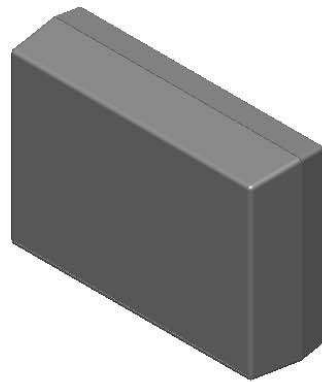
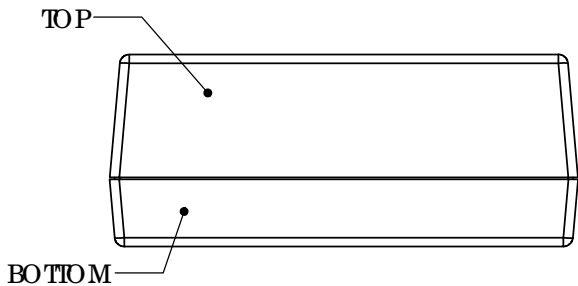
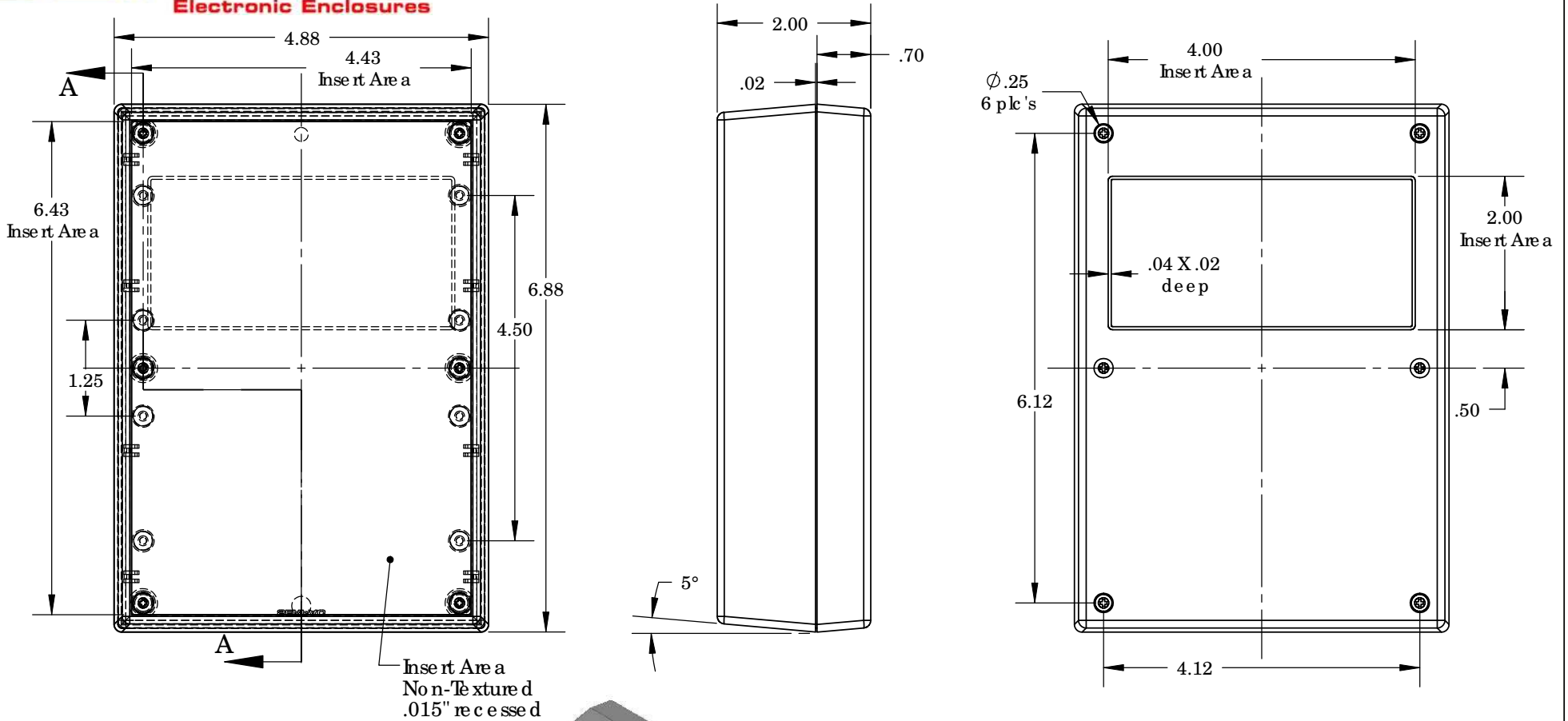
Notes: Enclosure weight .43 lbs / 197 gm

- 1) Enclosure meets or exceeds IP40 and NEMA 1
- 2) When used with PS17 the enclosure meets or exceeds IP 66 and NEMA 4X, 12 and 13 MIL-STD-810G 506.5
- 3) Circuit Board drawings can be downloaded at:
<http://www.serpac.com/Accessories/CircuitBoard/drawings/370-470.pdf>
- 4) All components are RoHS compliant.

ALL DIMENSIONS ARE ±.010" 3/23/10 (1 of 2)
619 Commercial Ave. Covina, CA 91723
Ph. (626) 331-0517 Ex. (626) 331-8584 serpac.com

SERPAC 172i (user print)

Electronic Enclosures



| PART NO. | DESCRIPTION (Included) | ACCESSORIES (Optional) | |
|----------|--------------------------|------------------------|----------------------|
| 7-2-i | TOP | PART NO. | DESCRIPTION |
| 17 | BOTTOM | 50 | Non-skid Feet |
| 6005 | #4X3/8" self tapping (6) | PS17 | Perimeter Seal |
| | | 370 | Prototype grid board |
| | | 470 | Prototype clad board |

- Notes:
- Enclosure weight .43 lbs/197 gm
 - Enclosure meets or exceeds IP40 and NEMA 1
 - When used with PS-17 the enclosure meets or exceeds IP 66 and NEMA 4X, 12 and 13 MIL-SID-810G 506.5
 - Circuit Board drawings can be downloaded at: <http://www.sepac.com/Accessories/CircuitBoard/drawings/370-470.pdf>
 - All components are RoHS compliant.

ALL DIMENSIONS ARE ± .010" 3/23/10 (2 of 2)
 619 Commercial Ave. Covina, CA 91723
 Ph. (626) 331-0517 Ex. (626) 331-8584 www.sepac.com