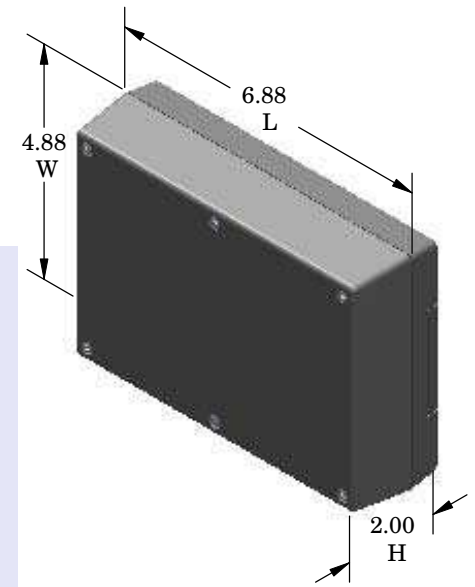
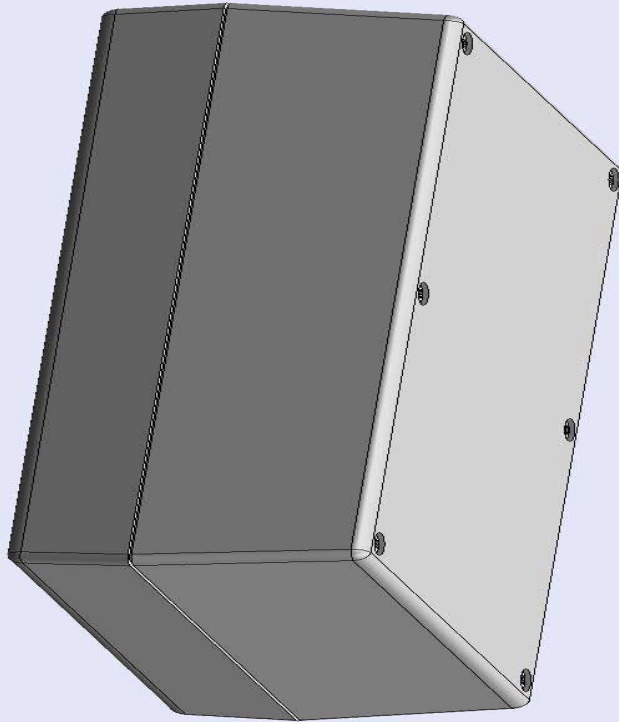


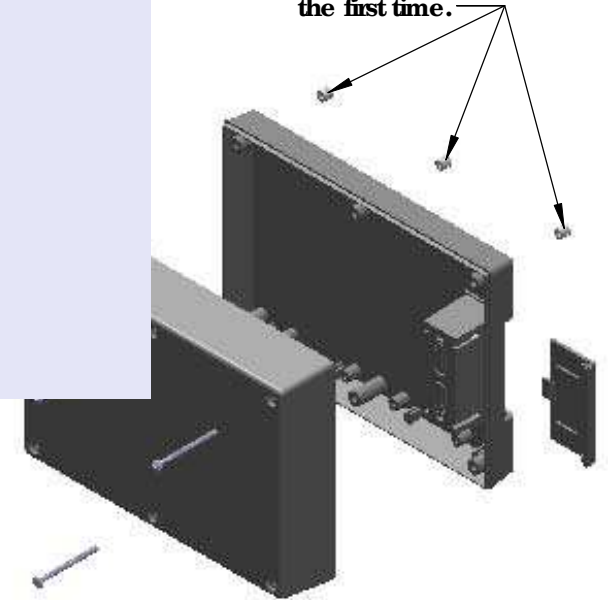
SERPAC 272R (3D exploded)

Electronic Enclosures

- Click on image to show toolbar. Use  to Play/Pause Animation.
- Left click and drag on image to move 3D model.



Threaded inserts only have to be assembled the first time.



- a) Zoom in & out with center wheel.
- b) Pause at any moment to view and or print views.
- c) Change the views to ortho and section views if needed from the Views pull down menu.
- d) Explore options included in the tool bar like: Views, Transparency of model, Lighting type, etc.

| PART NO. | DESCRIPTION (Included) | ACCESSORIES (Optional) | |
|----------|------------------------|------------------------|-------------------------------|
| 7-2R | TOP | PART NO. | DESCRIPTION |
| 27 | BOTTOM | 50 | Non-skid Feet |
| 1025 | Battery Cover | 379 | Prototype grid board (bottom) |
| 6018 | 4-40 Screws (6) | 479 | Prototype clad board (bottom) |
| 6102 | Threaded Inserts (6) | | |

Notes: Enclosure weight .46 lbs / 210 gm

- 1) Enclosure meets or exceeds IP40 and NEMA 1
- 2) Circuit Board drawings can be download at:

TOP:
http://www.serpac.com/Accessories/CircuitBoard/drawings/X73_CB.pdf

BOTTOM:
<http://www.serpac.com/Accessories/CircuitBoard/drawings/379-479-cbg.pdf>

- 3) All components are RoHS Compliant.

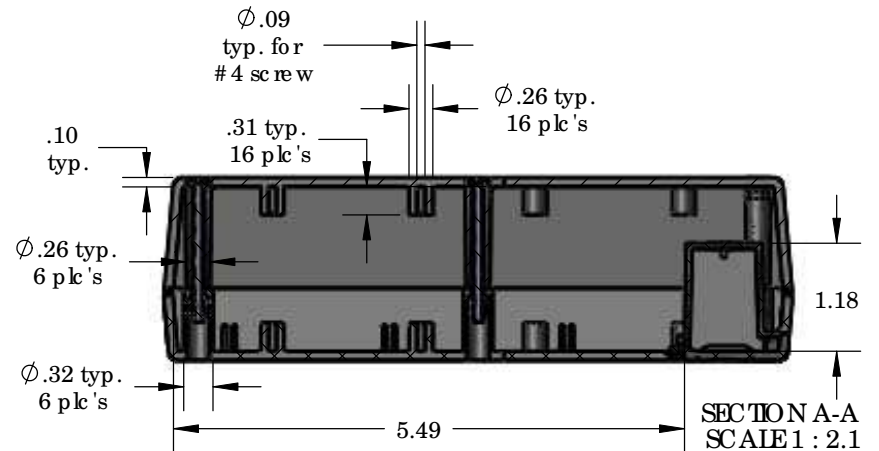
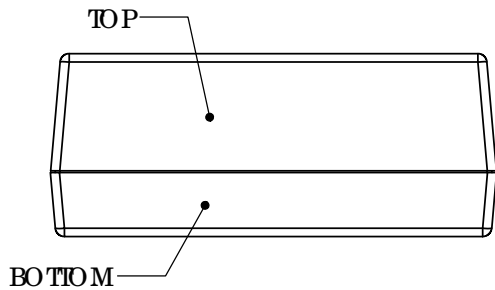
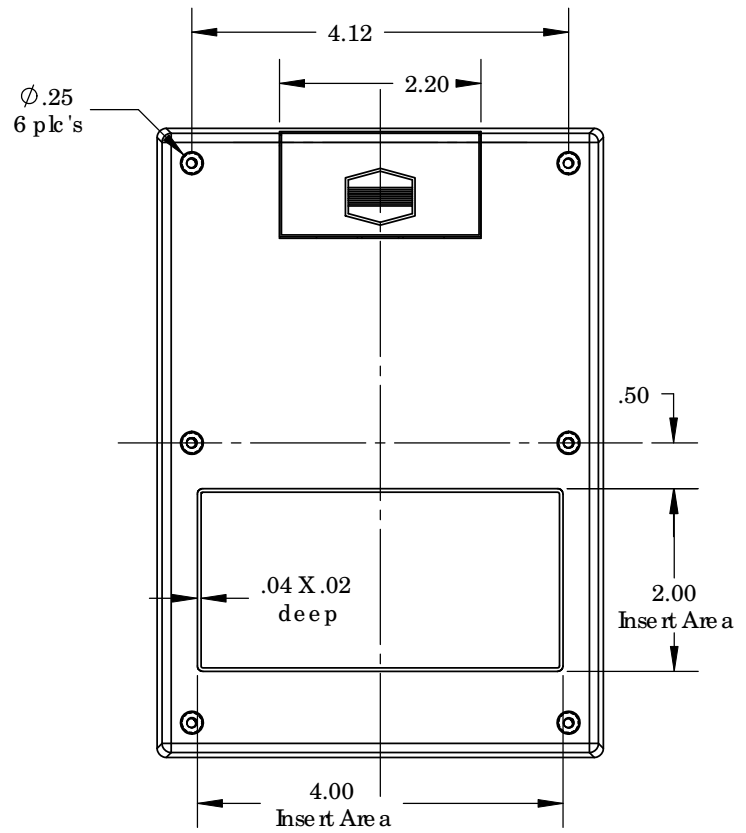
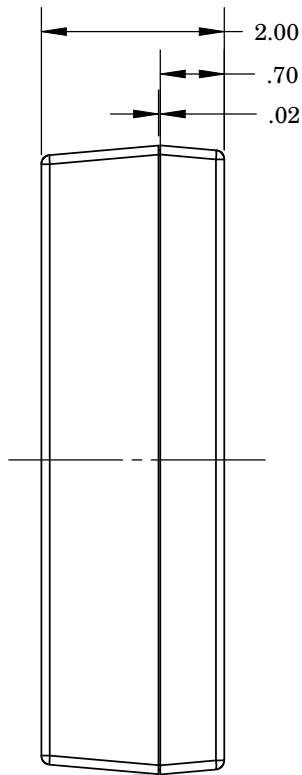
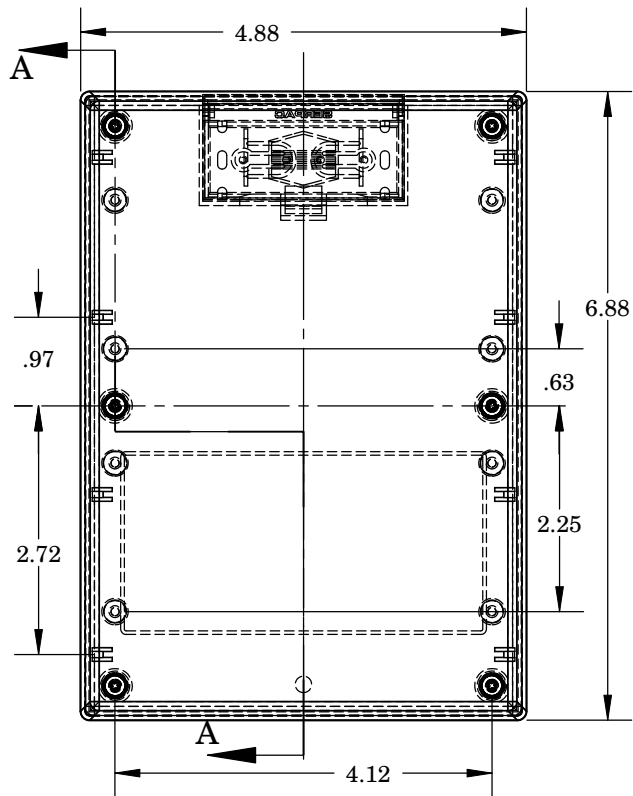
ALL DIMENSIONS ARE ±.010" 8/05/10 (1 of 2)

2009 Wright Ave. La Verne, CA 91750

Ph. (626) 331-0517 Ex. (626) 331-8584 serpac.com

SERPAC 272R (user print)

Electronic Enclosures



| PART NO. | DESCRIPTION (Included) | ACCESSORIES (Optional) | |
|----------|------------------------|------------------------|-------------------------------|
| 7-2R | TOP | PART NO. | DESCRIPTION |
| 27 | BOTTOM | 50 | Non-skid Feet |
| 1025 | Battery Cover | 379 | Prototype grid board (bottom) |
| 6018 | 4-40 Screws (6) | 479 | Prototype clad board (bottom) |
| 6102 | Threaded Inserts (6) | | |

Notes: Enclosure weight .46 lbs / 210 gm
 1) Enclosure meets or exceeds IP40 and NEMA 1
 2) Circuit Board drawings can be downloaded at:
 TOP: http://www.serpac.com/Accessories/CircuitBoard/drawings/X73_CB.pdf
 BOTTOM: <http://www.serpac.com/Accessories/CircuitBoard/drawings/379-479-cbg.pdf>
 3) All components are RoHS Compliant.

ALL DIMENSIONS ARE ± .010" 8/05/10 (2 of 2)
 2009 Wright Ave. La Verne, CA 91750
 Ph. (626) 331-0517 Ex. (626) 331-8584 www.serpac.com