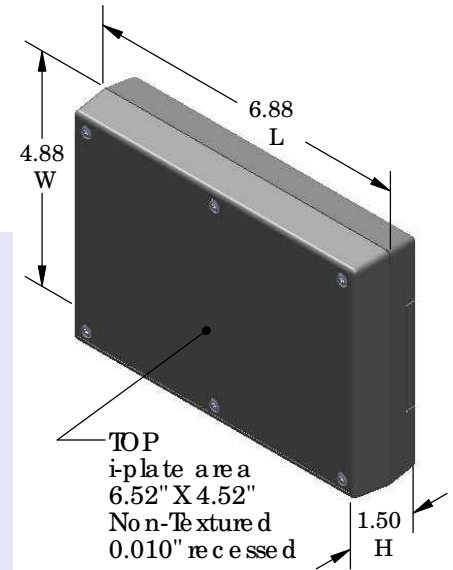
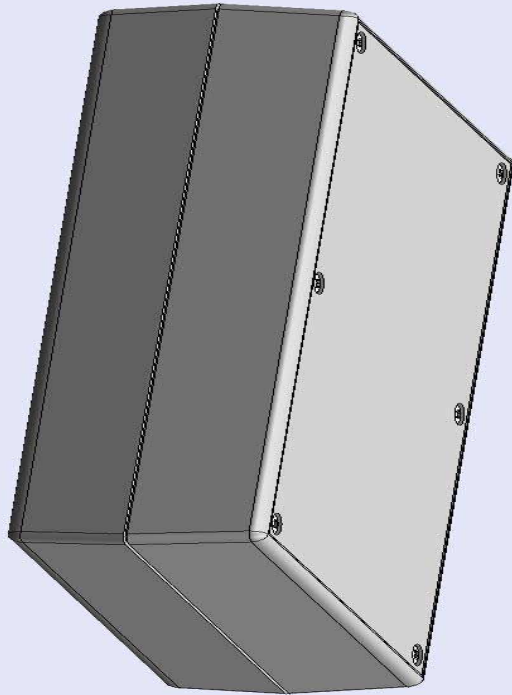


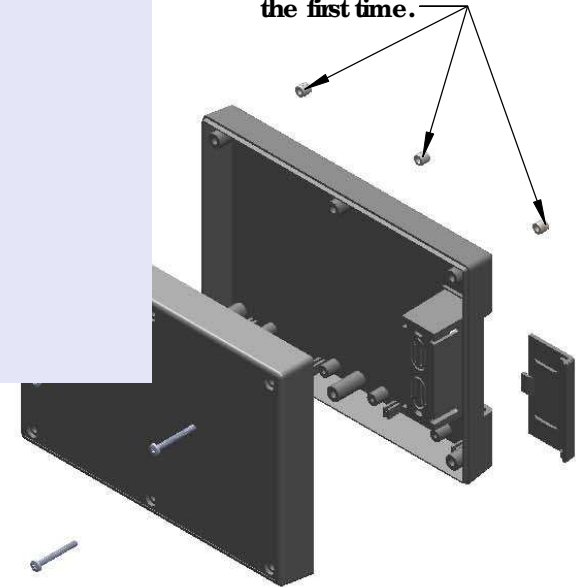
SERPAC 271 Ri (3D exploded)

Electronic Enclosures

- Click on image to show toolbar. Use  to Play/Pause Animation.
- Left click and drag on image to move 3D model.



Threaded inserts only have to be assembled the first time.



- a) Zoom in & out with center wheel.
- b) Pause at any moment to view and or print views.
- c) Change the views to ortho and section views if needed from the Views pull down menu.
- d) Explore options included in the tool bar like: Views, Transparency of model, Lighting type, etc.

PART NO.	DESCRIPTION (Included)	ACCESSORIES (Optional)	
7-1Ri	TOP	PART NO.	DESCRIPTION
27	BOTTOM	50	Non-skid Feet
1025	Battery Cover	379	Prototype grid board (bottom)
6017	4-40 Screws (6)	479	Prototype dad board (bottom)
6102	Threaded Inserts (6)		

Notes: Enclosure weight .43 lbs/ 194 gm

1) Enclosure meets or exceeds IP40 and NEMA 1

2) Circuit Board drawings can be download at:

<http://www.sepac.com/Accessories/CircuitBoard/drawings/379-479-cbg.pdf>

3) All components are RoHS Compliant.

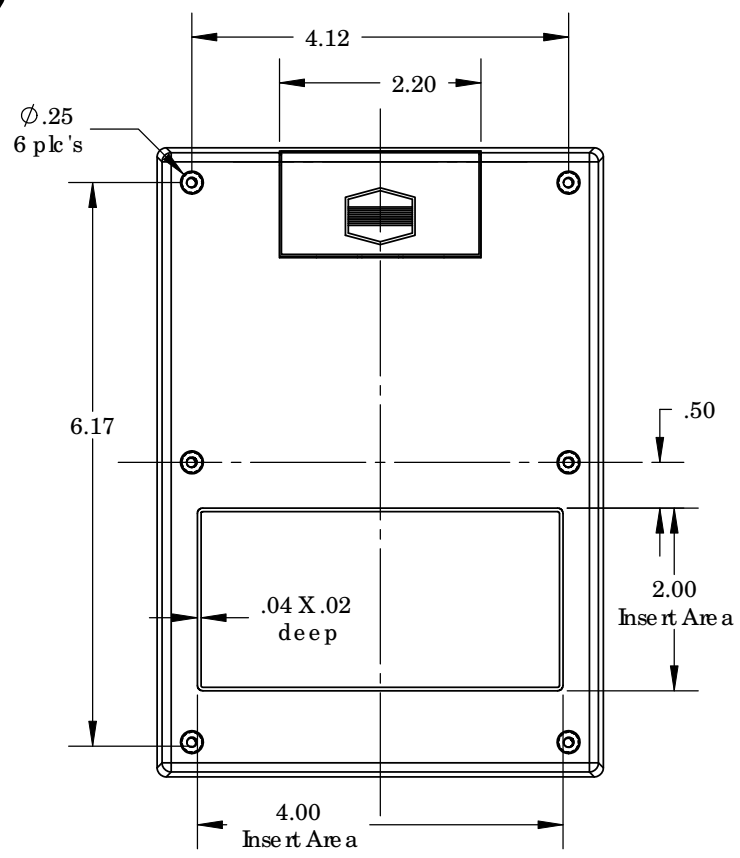
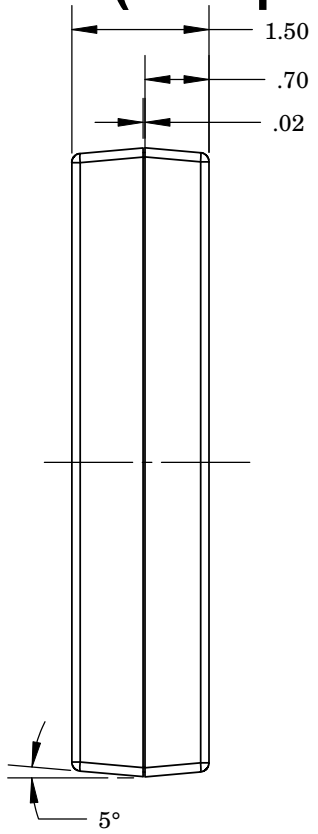
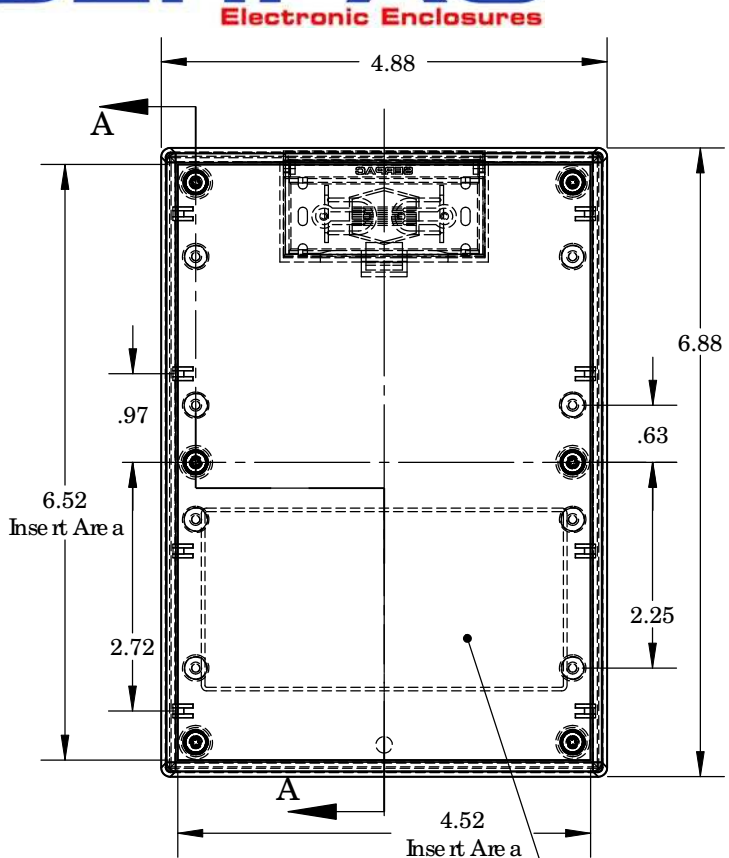
ALL DIMENSIONS ARE ±.010" 8/05/10 (1 of 2)

2009 Wright Ave. La Verne, CA 91750

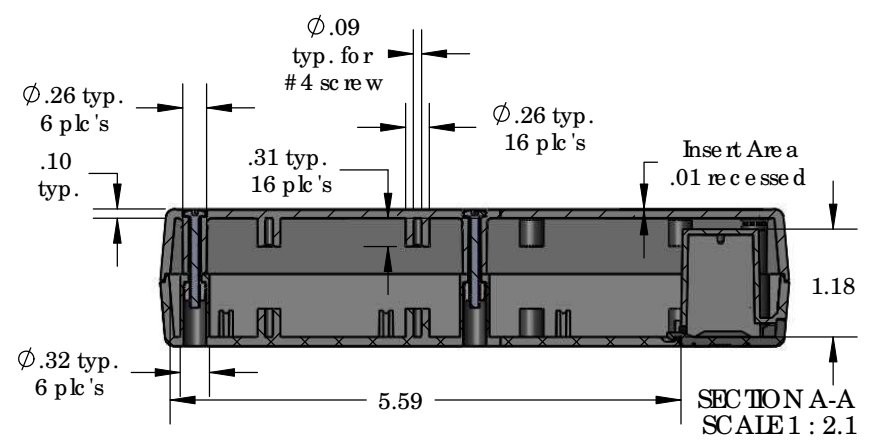
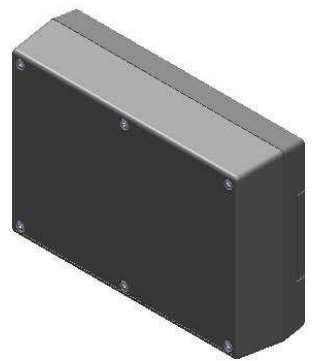
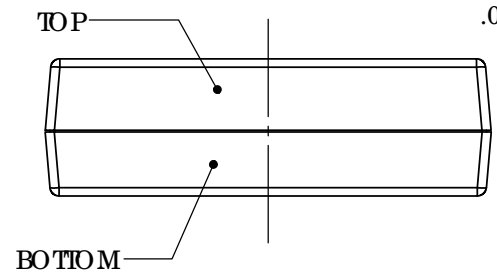
Ph. (626) 331-0517 Ex. (626) 331-8584 [sepac.com](http://www.sepac.com)

SERPAC 271Ri (user print)

Electronic Enclosures



Insert Area
Non-textured
.01" recessed



SECTION A-A
SCALE 1 : 2.1

PART NO.	DESCRIPTION (Included)	ACCESSORIES (Optional)
7-1Ri	TOP	PART NO. DESCRIPTION
27	BOTTOM	50 Non-skid Feet
1025	Battery Cover	379 Prototype grid board (bottom)
6017	4-40 Screws (6)	479 Prototype clad board (bottom)
6102	Threaded Inserts (6)	

Notes:
 1) Enclosure weight .43 lbs/ 194 gm
 2) Enclosure meets or exceeds IP40 and NEMA 1
 3) Circuit Board drawings can be downloaded at:
<http://www.serpac.com/Accessories/CircuitBoard/drawings/379-479-cbg.pdf>
 4) All components are RoHS Compliant.