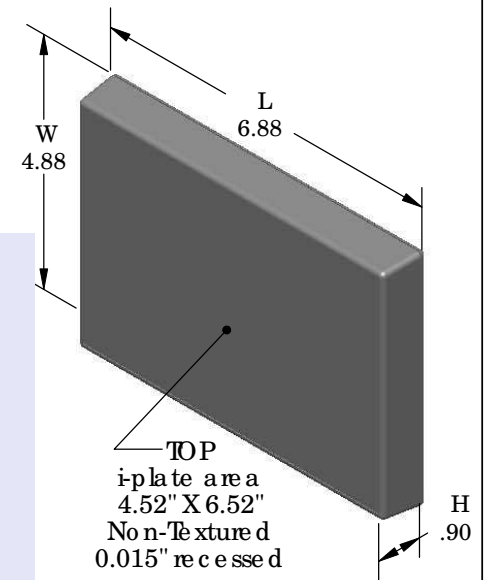
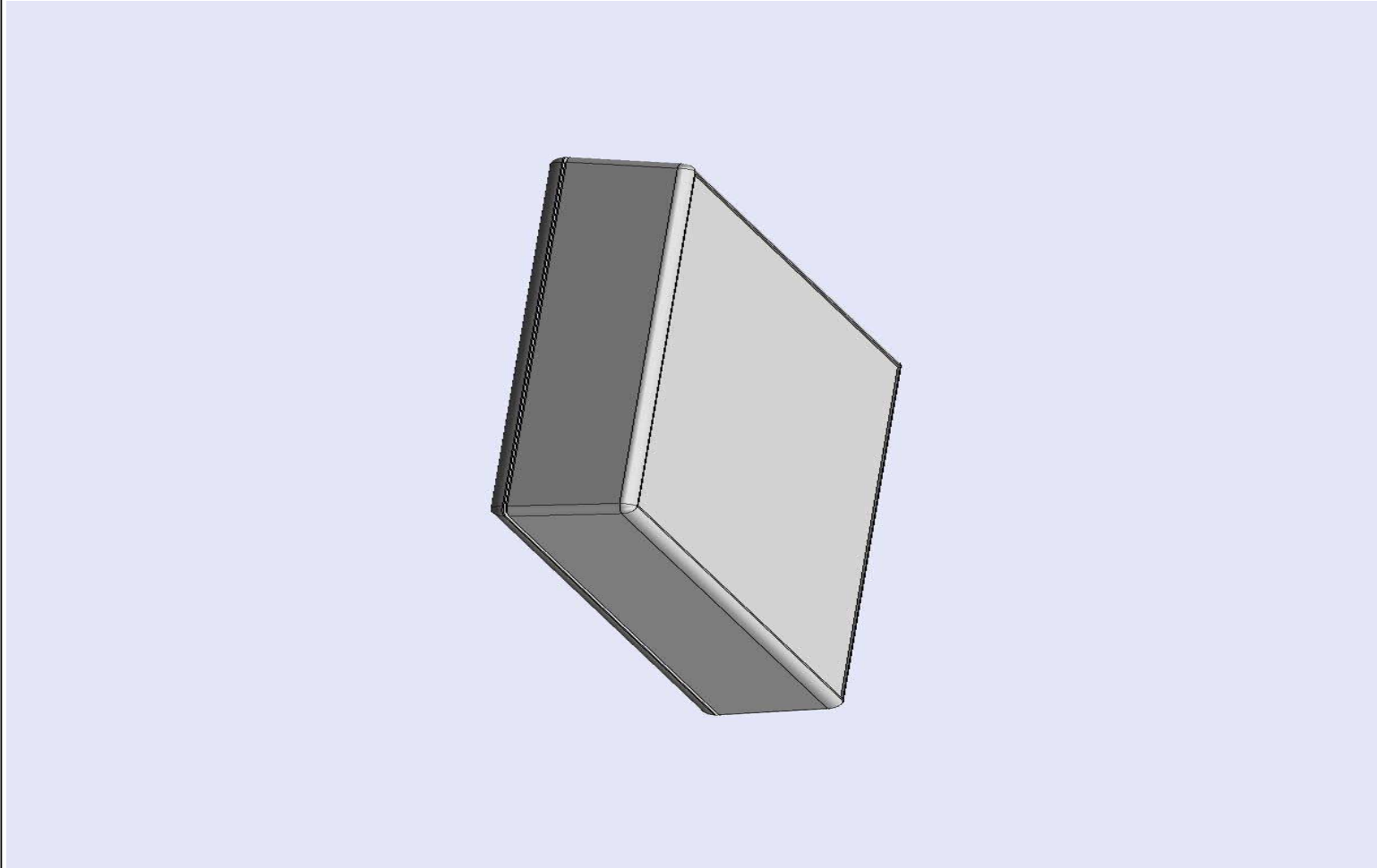


# SERPAC 071i (exploded isometric)

Electronic Enclosures

- Click on image to show toolbar. Use ▶ || to Play/Pause Animation.
- Left click and drag on image to move 3D model.



- a) Zoom in & out with center wheel.
- b) Pause at any moment to view and or print views.
- c) Change the views to ortho and section views if needed from the Views pull down menu.
- d) Explore options included in the tool bar like: Views, Transparency of model, Lighting type, etc.

PART NO.	DESCRIPTION (Included)	ACCESSORIES (Optional)	
7-1-i	TOP	PART NO.	DESCRIPTION
07	BOTTOM	51	Non-skid Feet
6005	#4X3/8" Self tapping (6)	370	Prototype grid board
		470	Prototype clad board

Notes: Enclosure weight .34 lbs / 154 gm

1) Enclosure meets or exceeds IP40 and NEMA 1

2) Circuit Board drawings can be downloaded at:

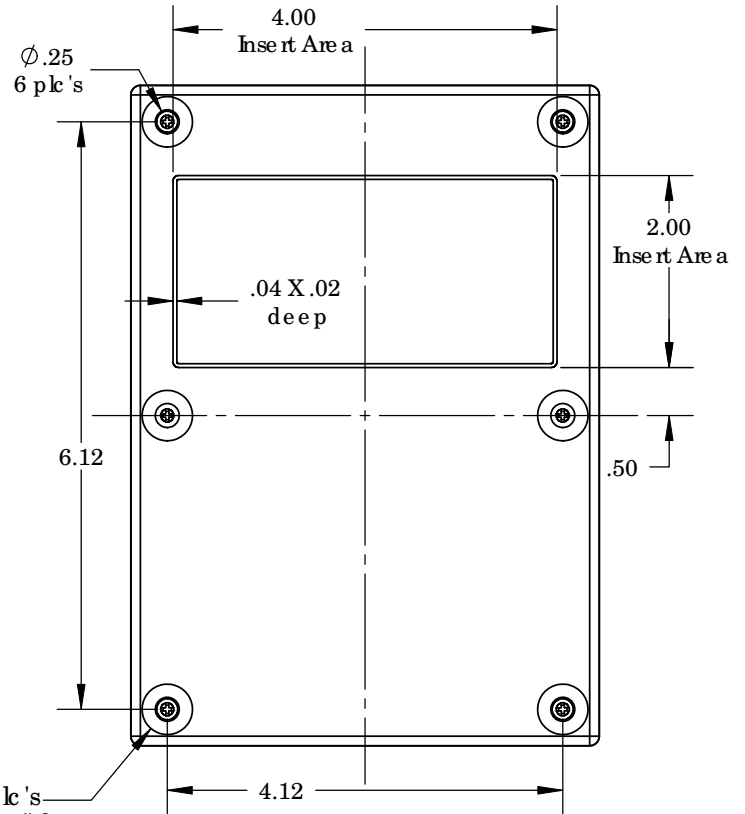
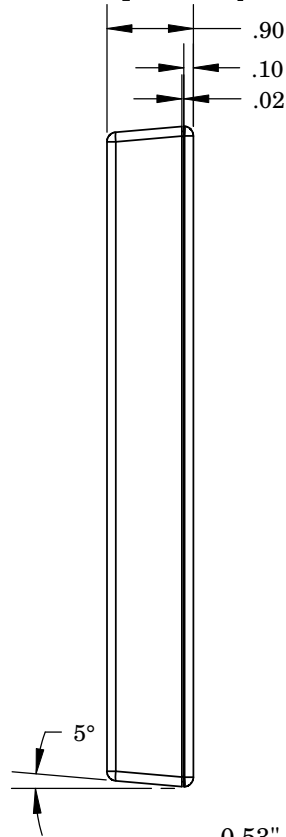
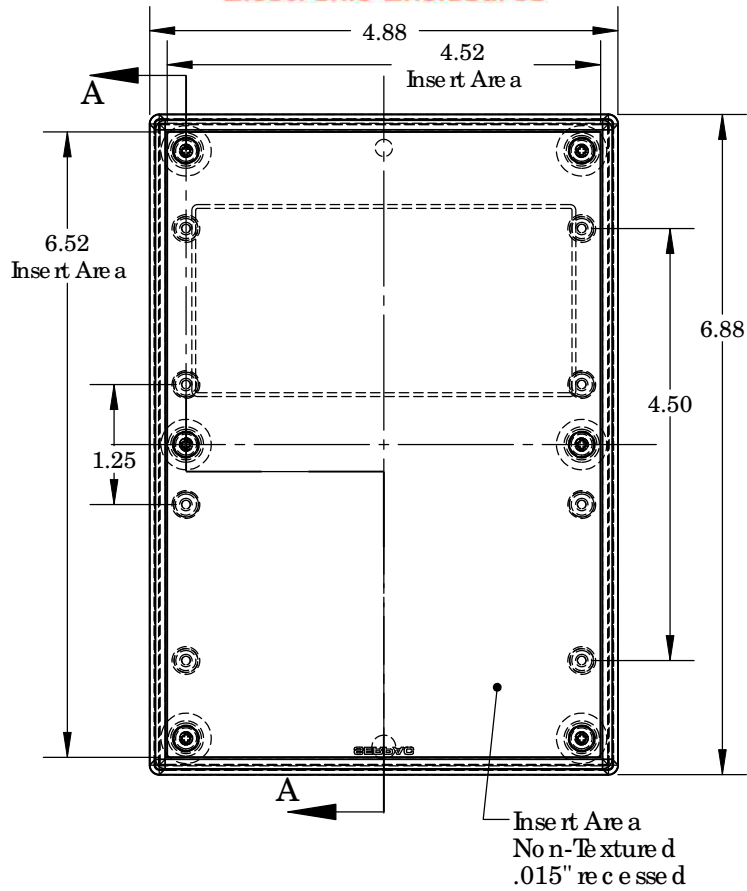
<http://www.serpac.com/Accessories/CircuitBoard/drawings/370-470.pdf>

3) All components are RoHS Compliant.

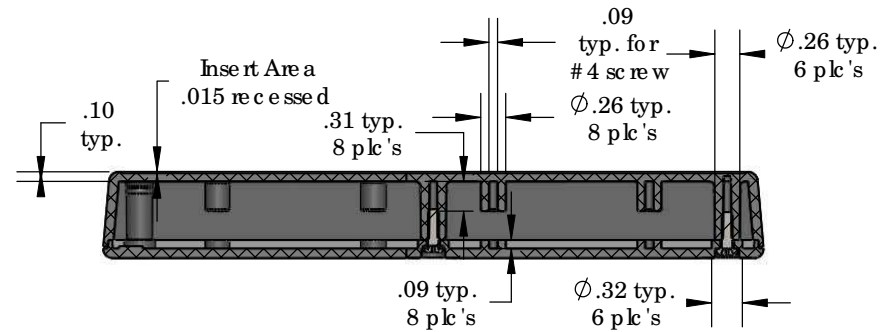
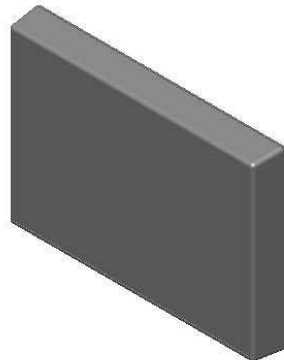
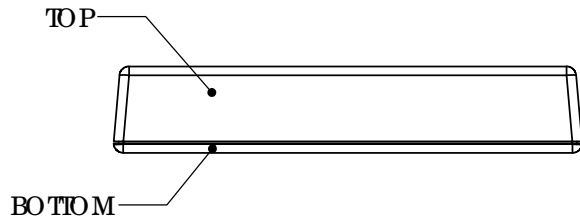
**ALL DIMENSIONS ARE ±.010" 3/17/10 (1 of 2)**  
**619 Commercial Ave. Covina, CA 91723**  
**Ph. (626) 331-0517 Ex. (626) 331-8584 serpac.com**

# SERPAC 071i (user print)

Electronic Enclosures



0.53"  $\phi$  6 plcs  
Recessed 0.005" for  
Non-skid feet  
(not included)



PART NO.	DESCRIPTION (Included)	ACCESSORIES (Optional)	
7-1-i	TOP	PART NO.	DESCRIPTION
07	BOTTOM	51	Non-skid Feet
6005	#4X3/8" self tapping (6)	370	Prototype grid board
		470	Prototype clad board

Notes:

- Enclosure weight .34 lbs/154 gm
- Enclosure meets or exceeds IP40 and NEMA 1
- Circuit Board drawings can be downloaded at:  
<http://www.sepac.com/Accessories/CircuitBoard/drawings/370-470.pdf>
- All components are RoHS Compliant.

ALL DIMENSIONS ARE  $\pm .010"$  3/17/10 (2 of 2)  
619 Commercial Ave. Covina, CA 91723  
Ph. (626) 331-0517 Ex. (626) 331-8584 [www.sepac.com](http://www.sepac.com)