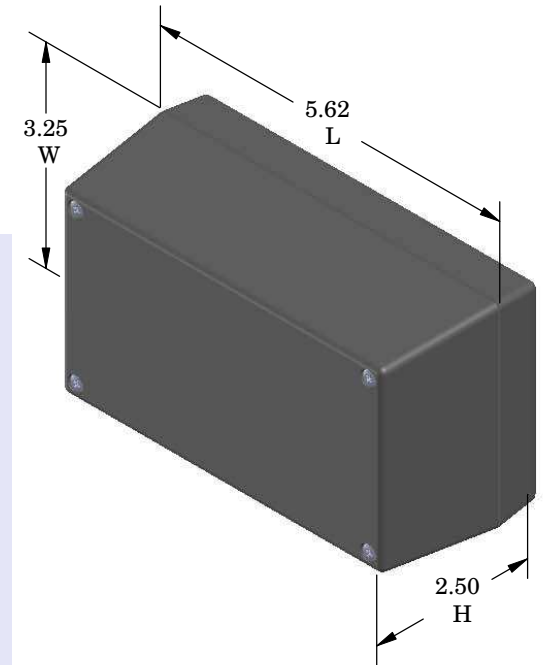
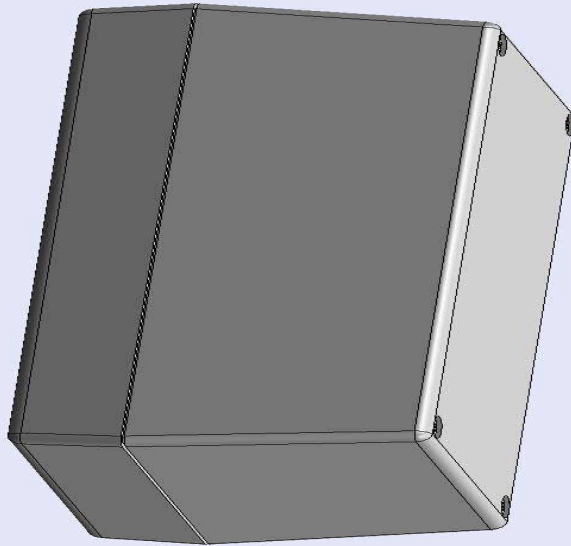


# SERPAC 153R (3D exploded)

Electronic Enclosures

-Click on image to show toolbar. Use ▶ || to Play/Pause Animation.  
 -Left click and drag on image to move 3D model.



Threaded inserts only have to be assembled the first time.

Waterproofing gasket  
 PS15 optional  
 see note #2

- a) Zoom in & out with center wheel.
- b) Pause at any moment to view and or print views.
- c) Change the views to ortho and section views if needed from the Views pull down menu.
- d) Explore options included in the tool bar like: Views, Transparency of model, Lighting type, etc.

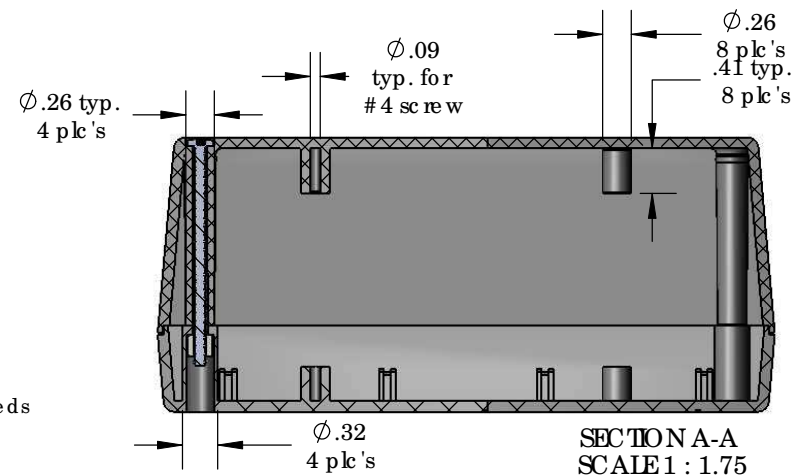
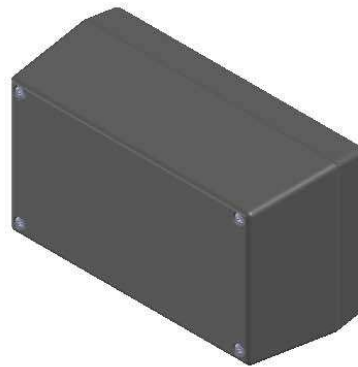
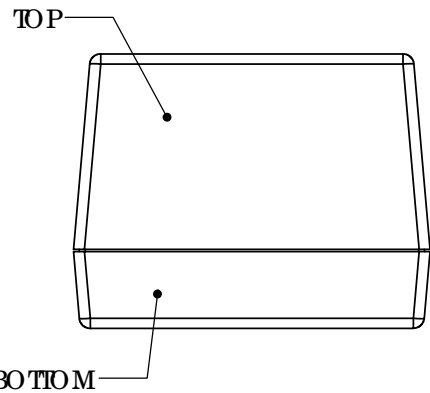
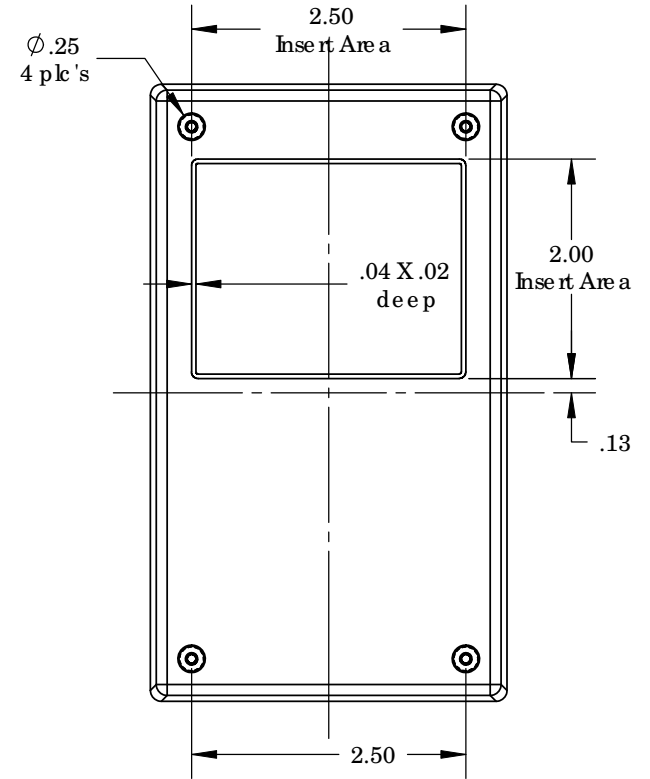
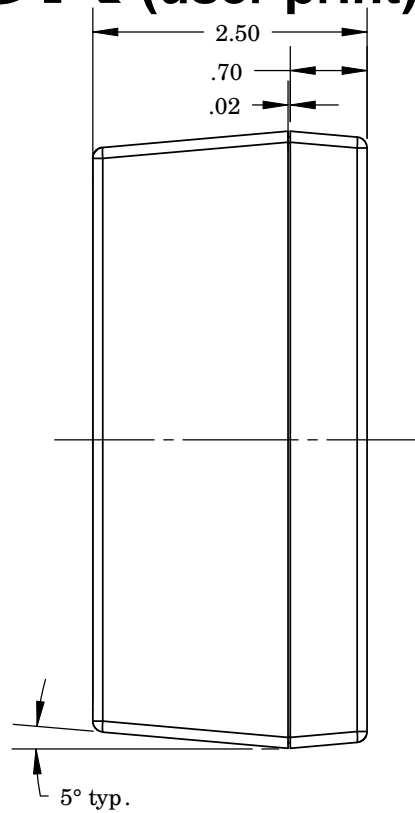
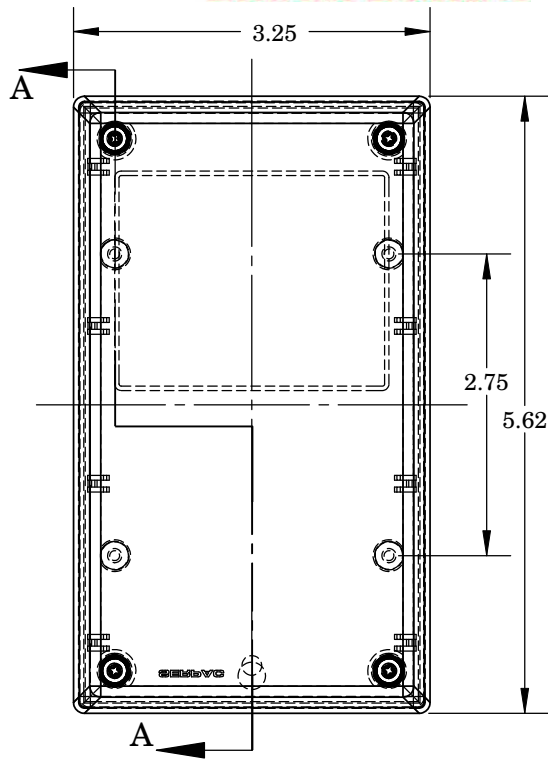
PART NO.	DESCRIPTION (Included)	ACCESSORIES (Optional)	
5-3R	TOP	PART NO.	DESCRIPTION
15	BOTTOM	PS15	Perimeter Seal
6019	4-40 SCREW (4)	350	Prototype Grid Circuit Board
6102	THREADED INSERTS (4)	450	Prototype Clad Circuit Board

Notes: Enclosure weight .31 lbs/ 143 gm  
 1) Enclosure meets or exceeds IP40 and NEMA 1  
 2) When used with PS15 the enclosure meets or exceeds IP 67 and NEMA 4X, 12 and 13 MIL-SID-810G 506.5  
 3) Circuit Board drawings can be downloaded at:  
 Top: [http://www.serpac.com/Accessories/CircuitBoard/drawings/X53\\_CB.pdf](http://www.serpac.com/Accessories/CircuitBoard/drawings/X53_CB.pdf)  
 Bottom: <http://www.serpac.com/Accessories/CircuitBoard/drawings/350-450-cbg.pdf>  
 4) All components are RoHS Compliant.

ALL DIMENSIONS ARE ± .010" 7/29/10 (1 of 2)  
 619 Commercial Ave. Covina, CA 91723  
 Ph. (626) 331-0517 Ex. (626) 331-8584 [serpac.com](http://serpac.com)

# SERPAC 153R (user print)

Electronic Enclosures



- Notes: Enclosure weight .31 lbs/ 143 gm  
 1) Enclosure meets or exceeds IP40 and NEMA 1  
 2) When used with PS15 the enclosure meets or exceeds IP 67 and NEMA 4X, 12 and 13 MIL-SID-810G 506.5  
 3) Circuit Board drawings can be download at:

Top: [http://www.serpac.com/Accessories/CircuitBoard/drawings/X53\\_CB.pdf](http://www.serpac.com/Accessories/CircuitBoard/drawings/X53_CB.pdf)  
 Bottom: <http://www.serpac.com/Accessories/CircuitBoard/drawings/350-450-cbg.pdf>  
 4) All components are RoHS Compliant.

PART NO.	DESCRIPTION (Included)	ACCESSORIES (Optional)	
5-3R	TOP	PART NO.	DESCRIPTION
15	BOTTOM	PS 15	Perimeter Seal
6019	4-40 SCREW (4)	350	Prototype Grid Circuit Board
6102	THREADED INSERTS (4)	450	Prototype Clad Circuit Board

SECTION A-A  
 SCALE 1 : 1.75