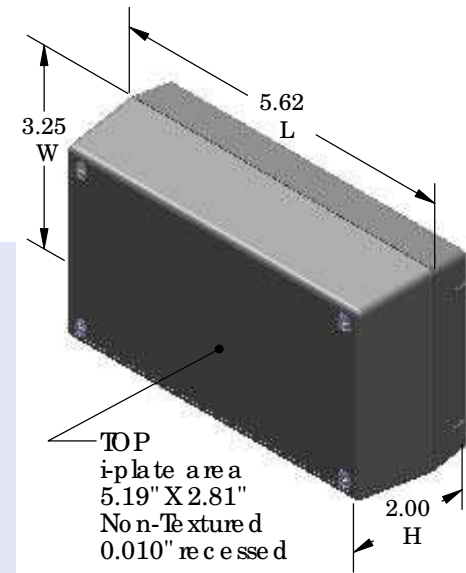
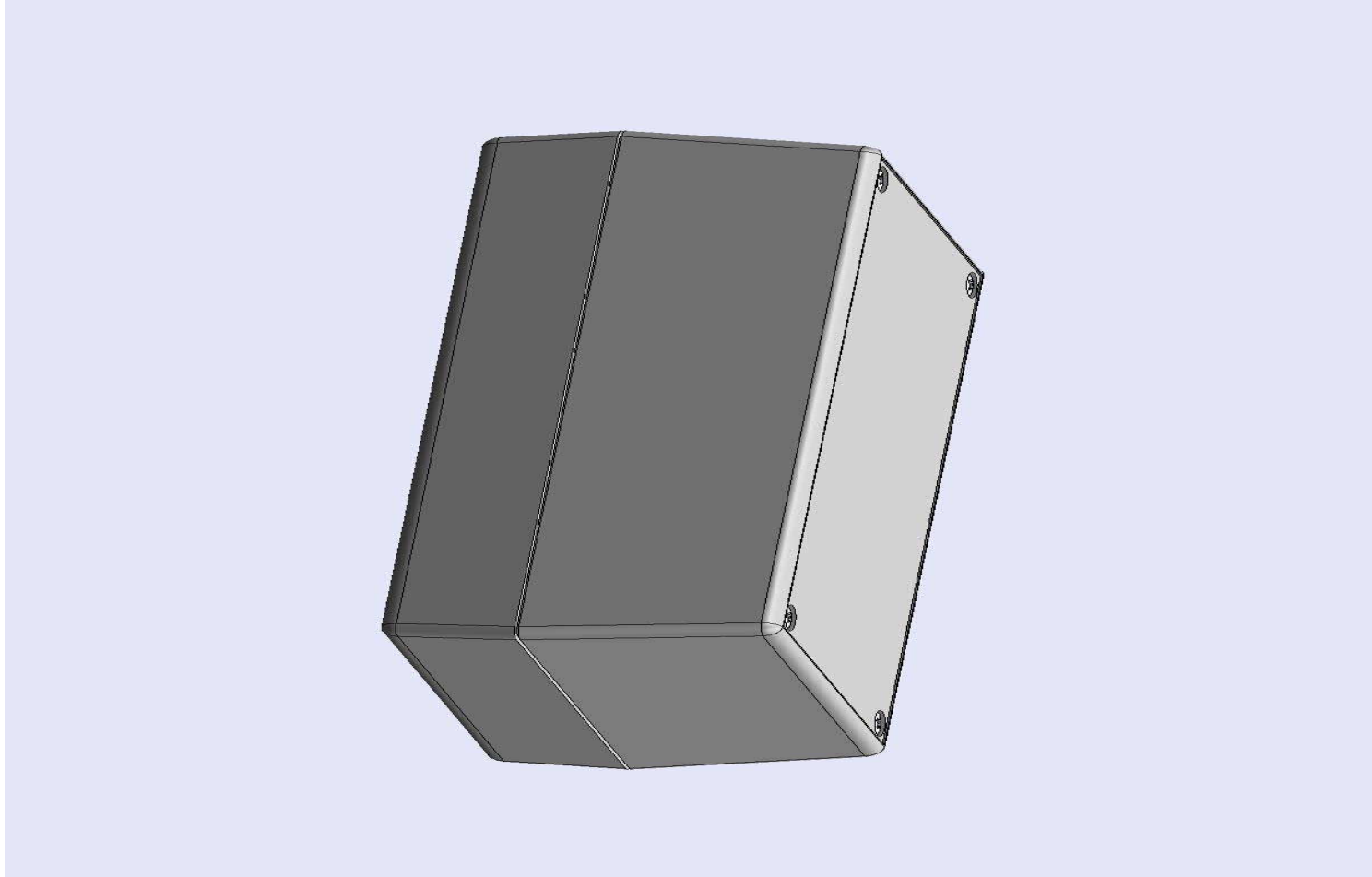


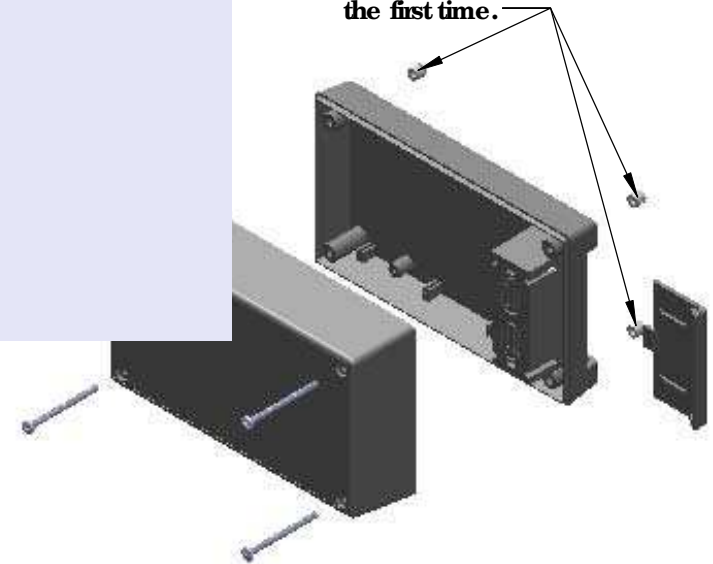
SERPAC 252Ri (3D exploded)

Electronic Enclosures

- Click on image to show toolbar. Use  to Play/Pause Animation.
- Left click and drag on image to move 3D model.



Threaded inserts only have to be assembled the first time.



- a) Zoom in & out with center wheel.
- b) Pause at any moment to view and or print views.
- c) Change the views to ortho and section views if needed from the Views pull down menu.
- d) Explore options included in the tool bar like: Views, Transparency of model, Lighting type, etc.

| PART NO. | DESCRIPTION (Included) | ACCESSORIES (Optional) | |
|----------|------------------------|------------------------|-----------------------------------|
| 5-2Ri | TOP | PART NO. | DESCRIPTION |
| 25 | BOTTOM | 50 | Non-skid Feet |
| 1025 | Battery Cover | 359 | Prototype grid board (bottom) |
| 6018 | 4-40 Screws (4) | 459 | Prototype clad board (bottom) |
| 6102 | Threaded Inserts (4) | 350/450 | Prototype grid / clad board (top) |

Notes: Enclosure weight .30 lbs/ 136 gm

- 1) Enclosure meets or exceeds IP40 and NEMA 1
- 2) Circuit Board drawings can be download at:

TOP: <http://www.serpac.com/Accessories/CircuitBoard/drawings/350-450-cbg.pdf>

BOTTOM: <http://www.serpac.com/Accessories/CircuitBoard/drawings/359-459-cbg.pdf>

- 3) All components are RoHS compliant.

ALL DIMENSIONS ARE ±.010" 8/04/10 (1 of 2)

2009 Wright Ave. La Verne, CA 91750

Ph. (626) 331-0517 Ex. (626) 331-8584 serpac.com

