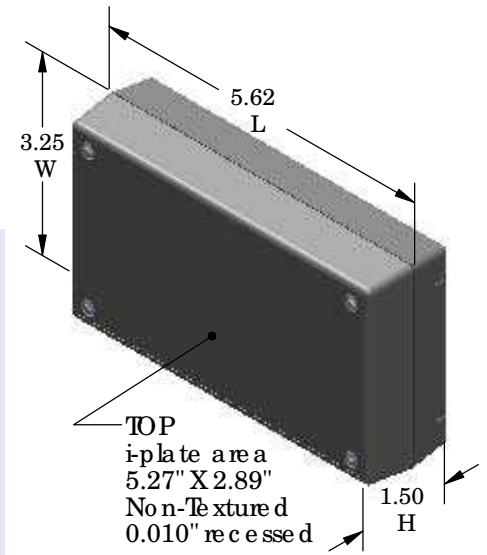
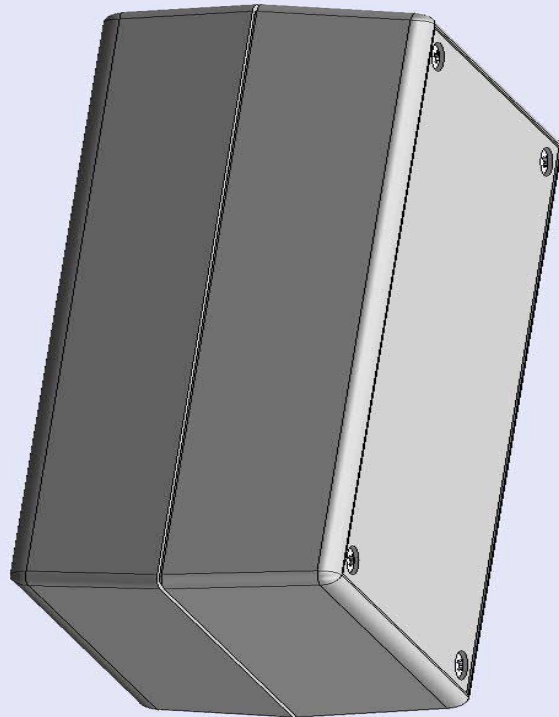


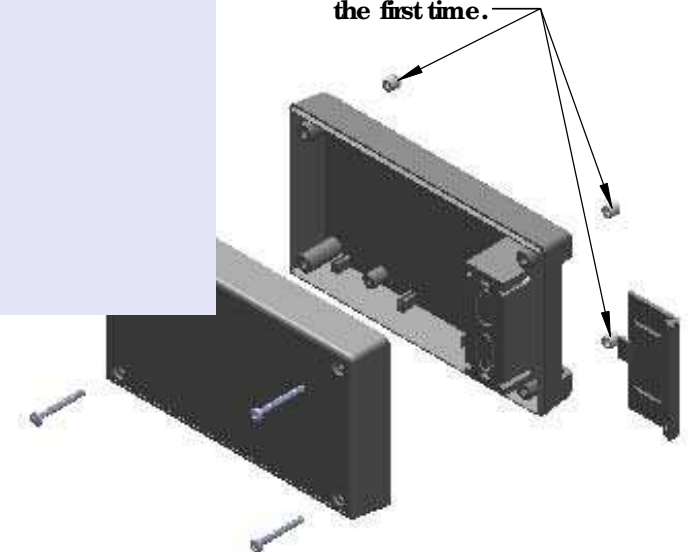
SERPAC 251 Ri (3D exploded)

Electronic Enclosures

- Click on image to show toolbar. Use  to Play/Pause Animation.
- Left click and drag on image to move 3D model.



Threaded inserts only have to be assembled the first time.



- a) Zoom in & out with center wheel.
- b) Pause at any moment to view and or print views.
- c) Change the views to ortho and section views if needed from the Views pull down menu.
- d) Explore options included in the tool bar like: Views, Transparency of model, Lighting type, etc.

PART NO.	DESCRIPTION (Included)	ACCESSORIES (Optional)	
5-1Ri	TOP	PART NO.	DESCRIPTION
25	BOTTOM	50	Non-skid Feet
1025	Battery Cover	359	Prototype grid board
6017	4-40 Screws (4)	459	Prototype clad board
6102	Threaded Inserts (4)		

Notes: Enclosure weight .27 lbs/ 123 gm

1) Enclosure meets or exceeds IP40 and NEMA 1

2) Circuit Board drawings can be downloaded at:

<http://www.serpac.com/Accessories/CircuitBoard/drawings/359-459-cbg.pdf>

3) All components are RoHS Compliant.

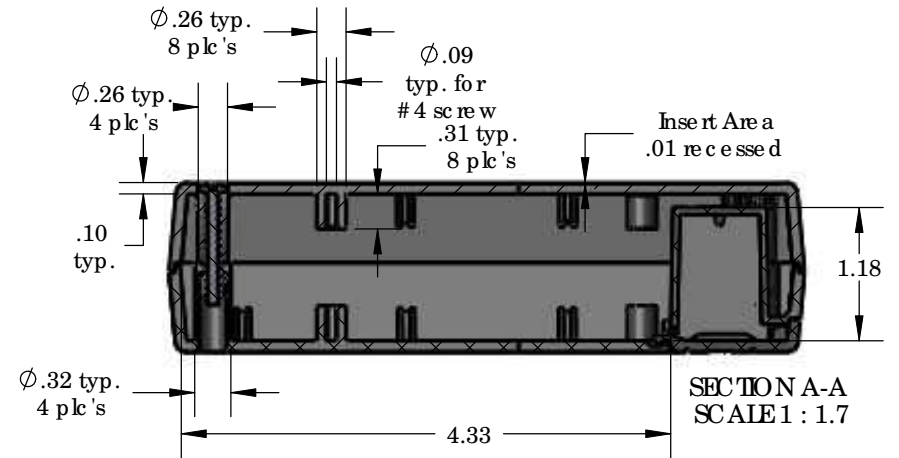
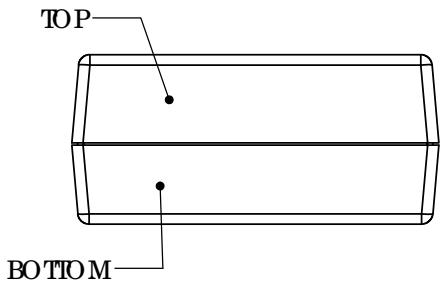
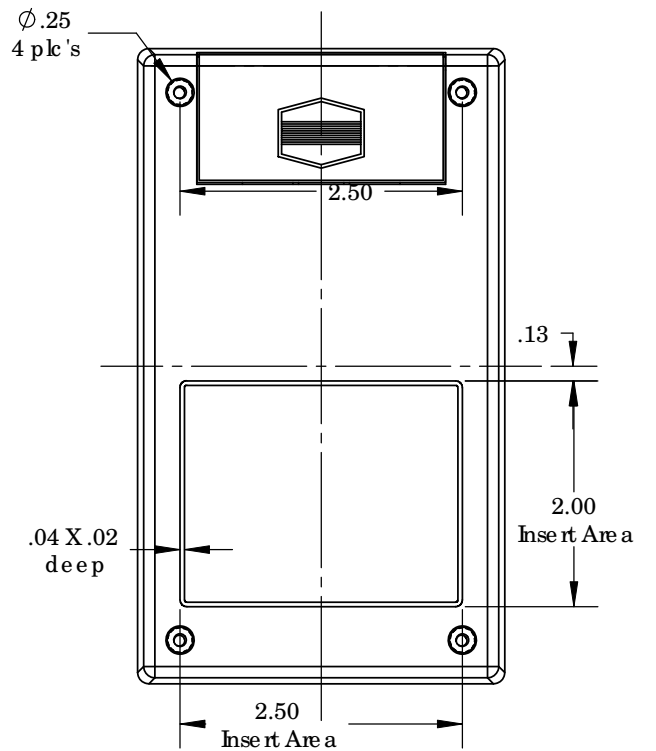
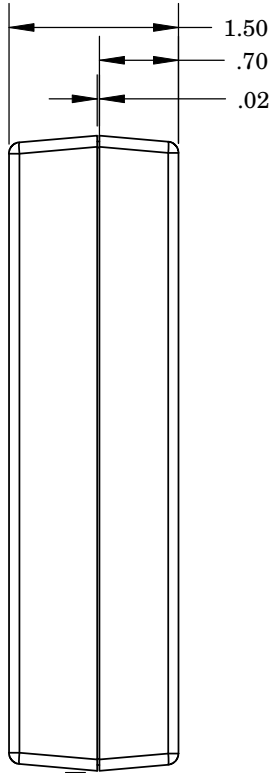
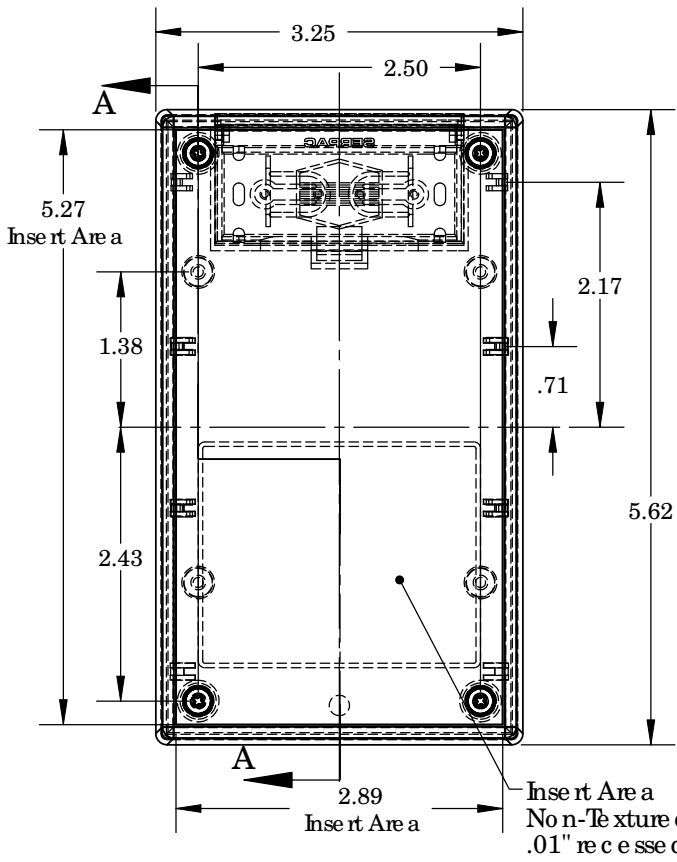
ALL DIMENSIONS ARE ±.010" 8/04/10 (1 of 2)

2009 Wright Ave. La Verne, CA 91750

Ph. (626) 331-0517 Ex. (626) 331-8584 serpac.com

SERPAC 251Ri (user print)

Electronic Enclosures



PART NO.	DESCRIPTION (Included)	ACCESSORIES (Optional)	
5-1Ri	TOP	PART NO.	DESCRIPTION
25	BOTTOM	50	Non-skid Feet
1025	Battery Cover	359	Prototype grid board
6017	4-40 Screws (4)	459	Prototype clad board
6102	Threaded Inserts (4)		

Notes: Enclosure weight .27 lbs / 123 gm
 1) Enclosure meets or exceeds IP40 and NEMA 1
 2) Circuit Board drawings can be download at:
<http://www.sempac.com/Accessories/CircuitBoard/drawings/359-459-cbg.pdf>
 3) All components are RoHS Compliant.

ALL DIMENSIONS ARE $\pm .010"$ 8/04/10 (2 of 2)
 2009 Wright Ave. La Verne, CA 91750
 Ph. (626) 331-0517 Ex. (626) 331-8584 www.sempac.com