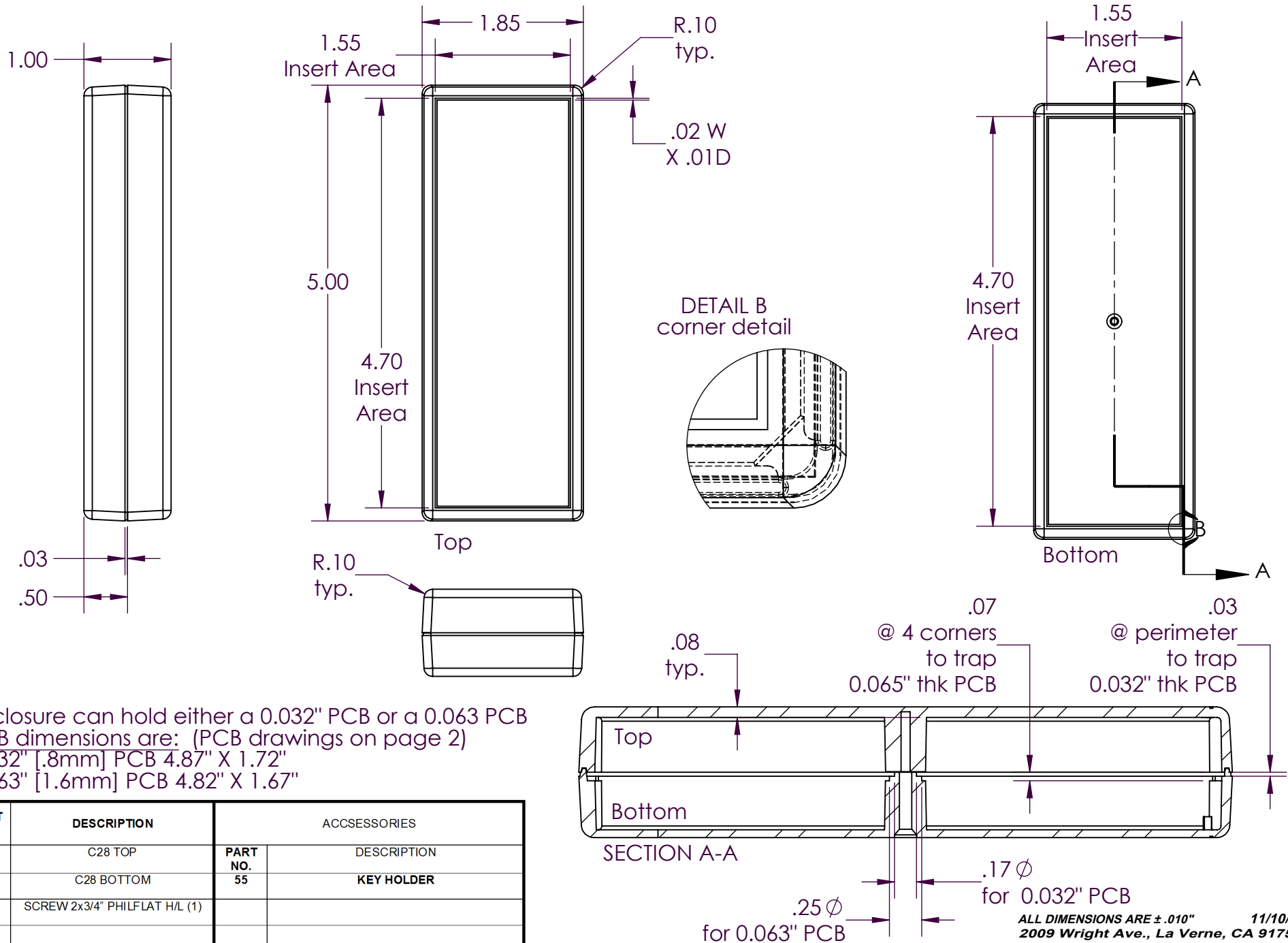


# SERPAC C28

Electronic Enclosures

**NOTES:**

1) When machine or I-plates modifications are required, use the center of the enclosure to dimension.

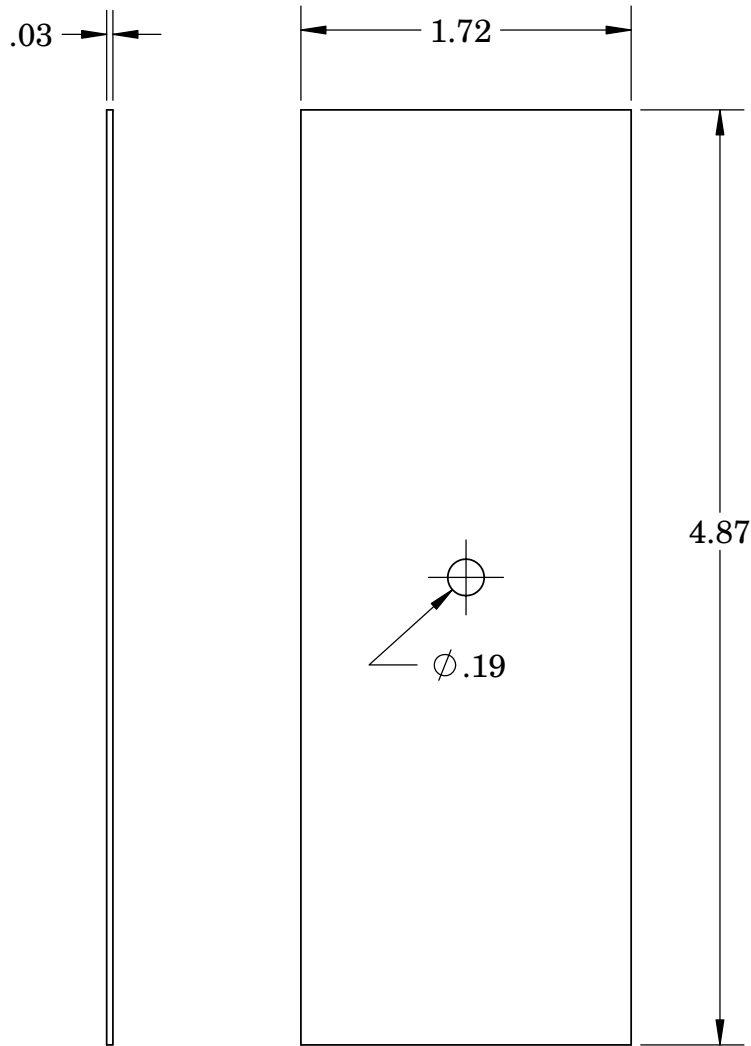


Enclosure can hold either a 0.032" PCB or a 0.063 PCB  
 PCB dimensions are: (PCB drawings on page 2)  
 0.032" [.8mm] PCB 4.87" X 1.72"  
 0.063" [1.6mm] PCB 4.82" X 1.67"

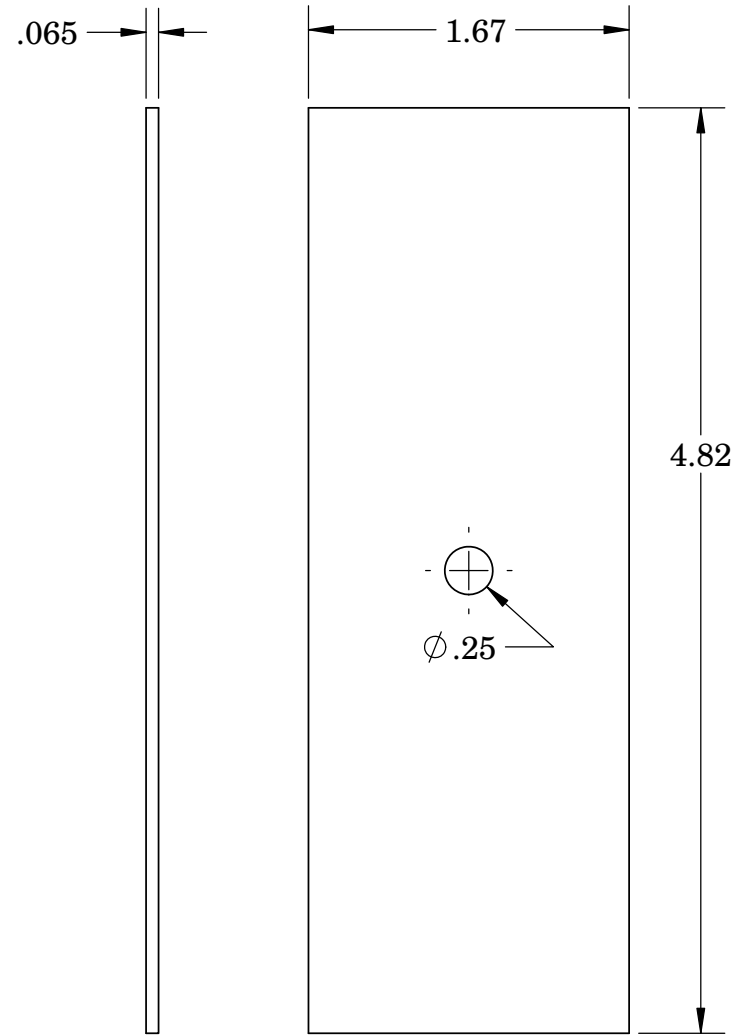
PART NO.	DESCRIPTION	ACCESSORIES	
		PART NO.	DESCRIPTION
1011	C28 TOP	55	KEY HOLDER
1012	C28 BOTTOM		
6007	SCREW 2x3/4" PHILFLAT H/L (1)		

# SERPAC CIRCUIT BOARD C28

Electronic Enclosures



**.032 board**



**.065 board**

**NOTES:**  
These are suggested dimensions.  
Plastic parts have a  $\pm 0.010$ " manufacturing tolerance.