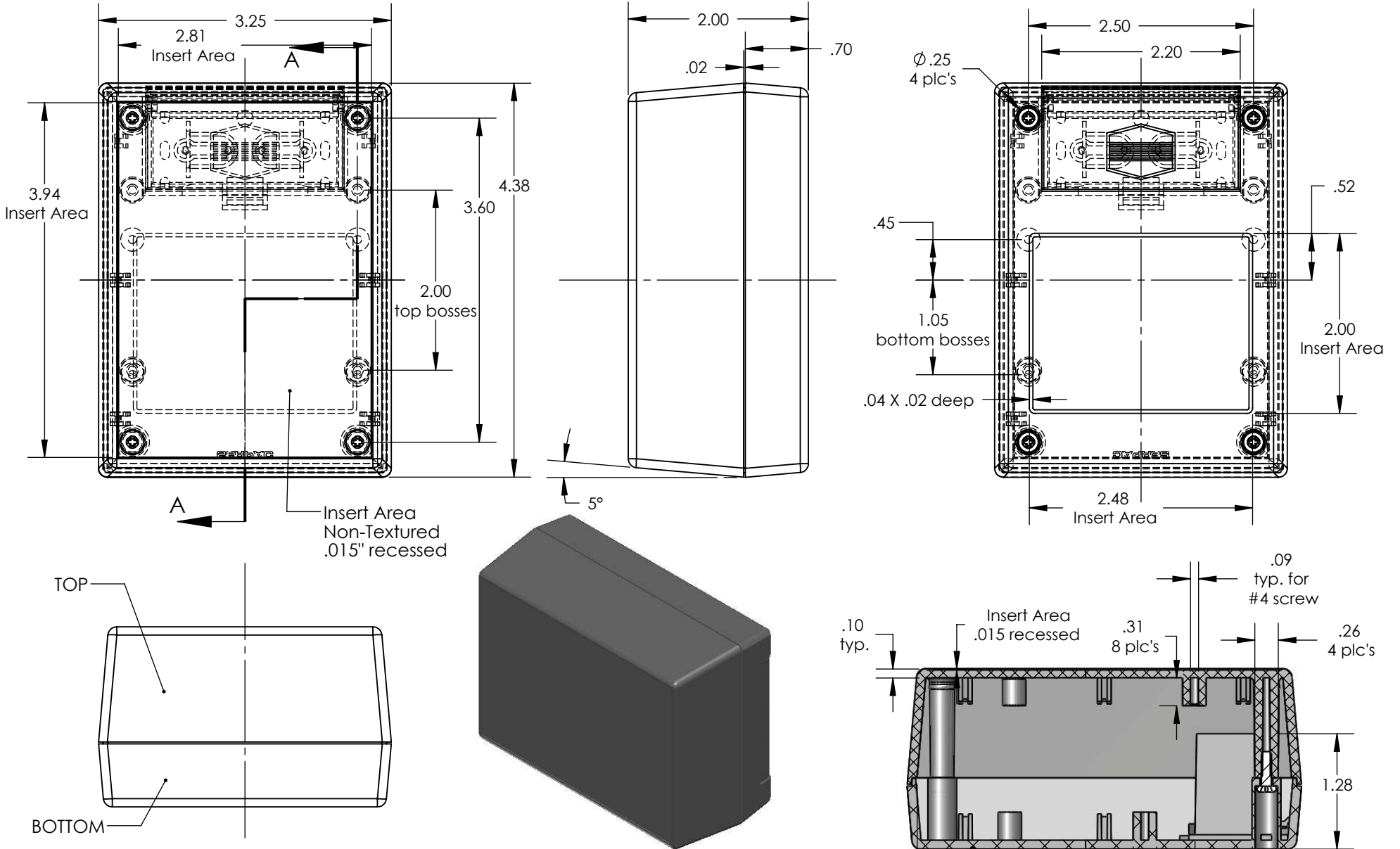


SERPAC 232i (user print)

Electronic Enclosures



Insert Area
Non-Textured
.015" recessed

TOP

BOTTOM

Notes: (Enclosure weight 0.26 lb / 119 gm)

1) Enclosure meets or exceeds IP40 and NEMA 1

2) Circuit Board drawings can be download at:

Top: http://www.serpac.com/Accessories/CircuitBoard/drawings/X33_CB.pdf

Bottom:

<http://www.serpac.com/Accessories/CircuitBoard/drawings/339-439-cbg.pdf>

3) All components are RoHS Compliant.

PART NO.	DESCRIPTION (Included)	ACCESSORIES (Optional)	PART NO.	DESCRIPTION
3-2i	TOP		339	Prototype grid board (bottom)
23	BOTTOM		439	Prototype clad board (bottom)
1025	Battery Cover		50	Non-skid feet
6005	#4X3/8" self tapping (4)			

SECTION A-A
SCALE 1 : 1.5

ALL DIMENSIONS ARE ± .010" 4/12/10 (2 of 2)
619 Commercial Ave. Covina, CA 91723
Ph. (626) 331-0517 Fx. (626) 331-8584 www.serpac.com