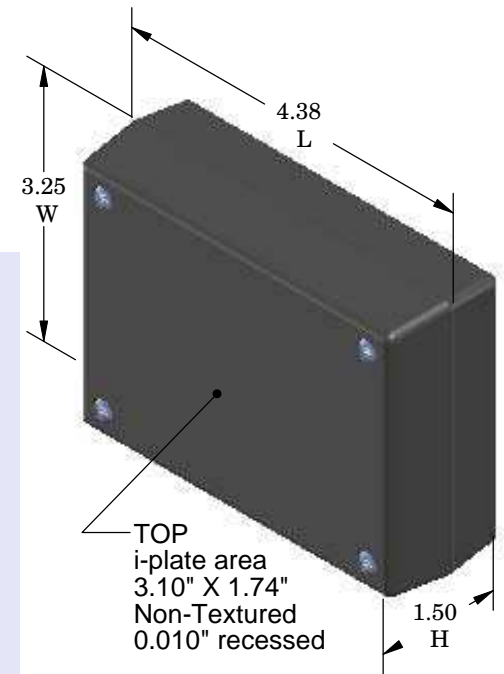
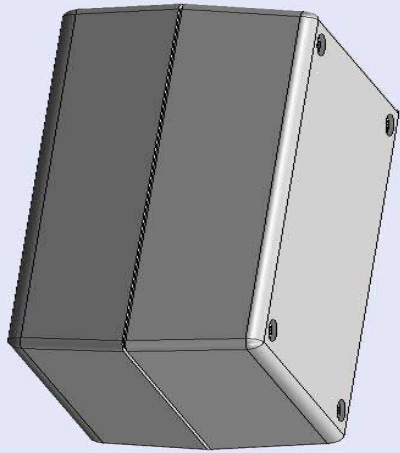


# SERPAC 131R (3D exploded)

Electronic Enclosures

-Click on image to show toolbar. Use  to Play/Pause Animation.  
-Left click and drag on image to move 3D model.



Theaded inserts only have to be assembled the first time.

Sealing gasket  
PS13 optional  
see note #2



- a) Zoom in & out with center wheel.
- b) Pause at any moment to view and or print views.
- c) Change the views to ortho and section views if needed from the Views pull down menu.
- d) Explore options included in the tool bar like: Views, Transparency of model, Lighting type, etc.

PART NO.	DESCRIPTION (Included)	ACCESSORIES (Optional)	
3-1R	TOP	PART NO.	DESCRIPTION
13	BOTTOM	PS13	Perimeter Seal
6017	4-40 SCREW (4)	330	Prototype Grid Circuit Board
6102	THREADED INSERTS (4)	430	Prototype Clad Circuit Board

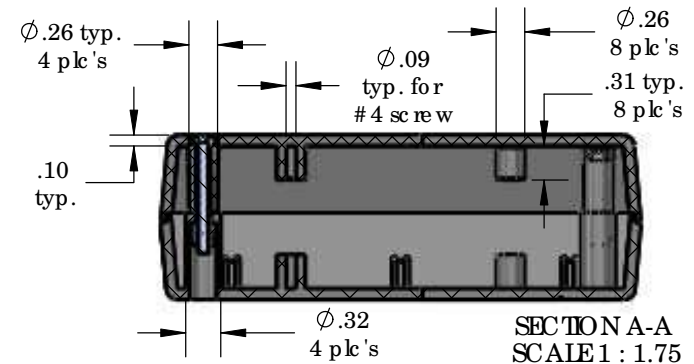
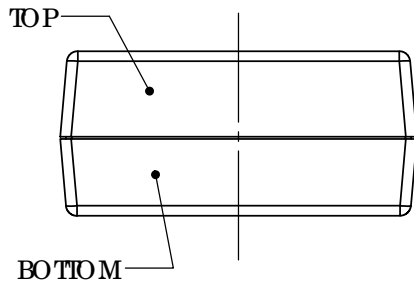
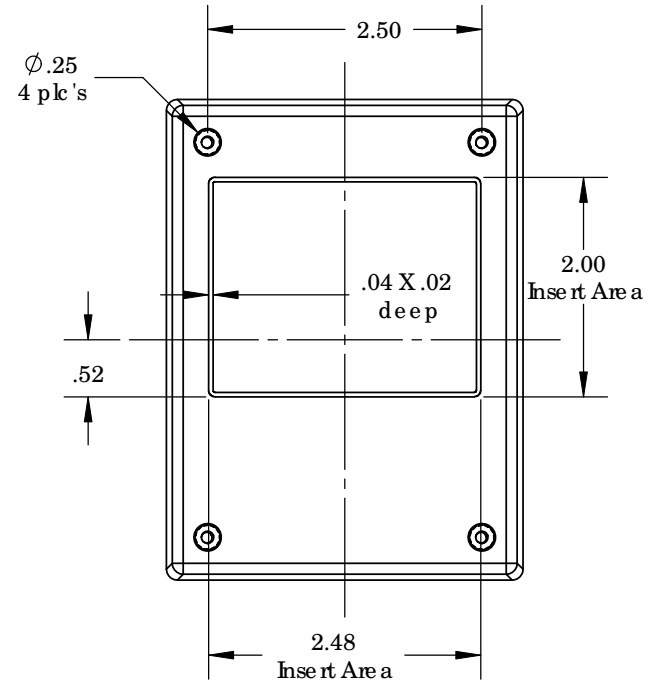
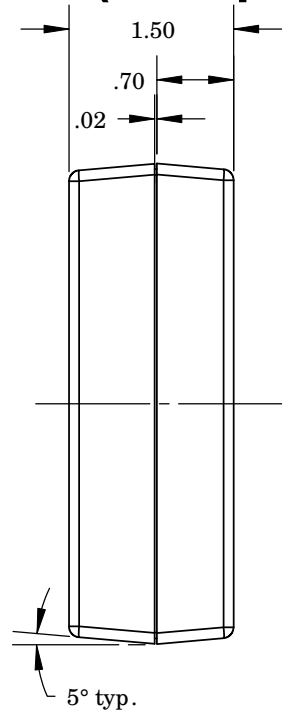
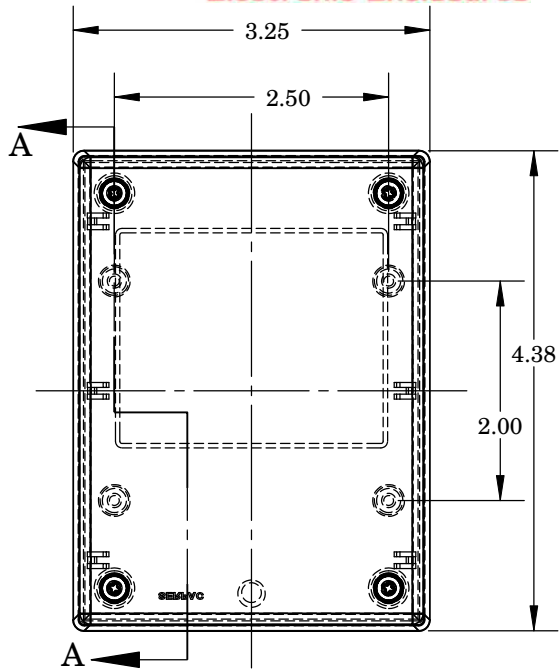
Notes: Enclosure weight .20 lbs / 92 gm

- 1) Enclosure meets or exceeds IP40 and NEMA 1
- 2) When used with PS13 the enclosure meets or exceeds IP 67 and NEMA 4X, 12 and 13 MIL-SID-810G 506.5
- 3) Circuit Board drawings can be download at:  
<http://www.serpac.com/Accessories/CircuitBoard/drawings/330-430-cbg.pdf>
- 4) All components are RoHS Compliant.

**ALL DIMENSIONS ARE ±.010" 7/29/10 (1 of 2)**  
2009 Wright Ave. La Verne, CA 91750  
Ph. (626) 331-0517 Ex. (626) 331-8584 [serpac.com](http://www.serpac.com)

# SERPAC 131R (user print)

Electronic Enclosures



PART NO.	DESCRIPTION (Included)	ACCESSORIES (Optional)	
3-1R	TOP	PART NO.	DESCRIPTION
13	BOTTOM	PS13	Perimeter Seal
6017	4-40 SCREW (4)	330	Prototype Grid Circuit Board
6102	THREADED INSERTS (4)	430	Prototype Clad Circuit Board

Notes: Enclosure weight .20 lbs / 92 gm  
 1) Enclosure meets or exceeds IP40 and NEMA 1  
 2) When used with PS13 the enclosure meets or exceeds IP 67 and NEMA 4X, 12 and 13 MIL-STD-810G 506.5  
 3) Circuit Board drawings can be downloaded at:  
<http://www.serpac.com/Accessories/CircuitBoard/drawings/330-430-cbg.pdf>  
 4) All components are RoHS compliant.

ALL DIMENSIONS ARE ±.010" 7/29/10 (2 of 2)  
 2009 Wright Ave. La Verne, CA 91750  
 Ph. (626) 331-0517 Ex. (626) 331-8584 www.serpac.com