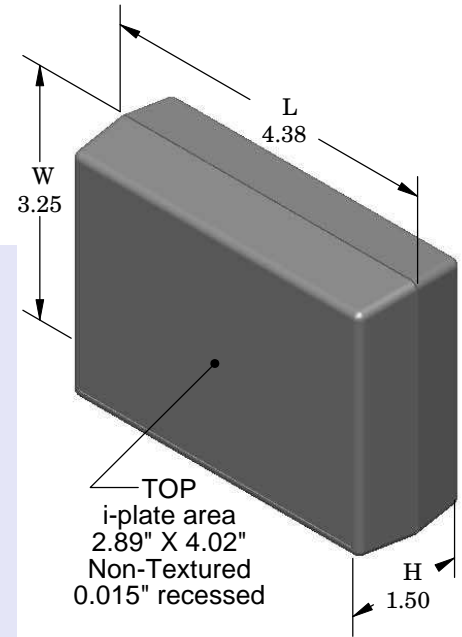
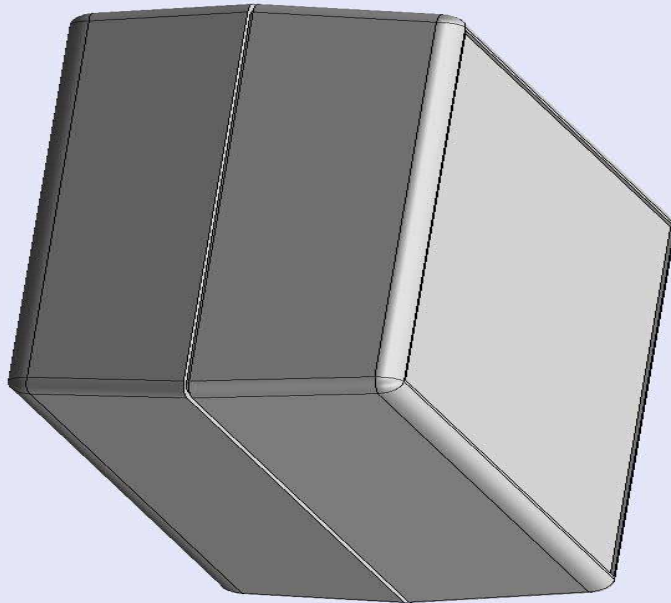


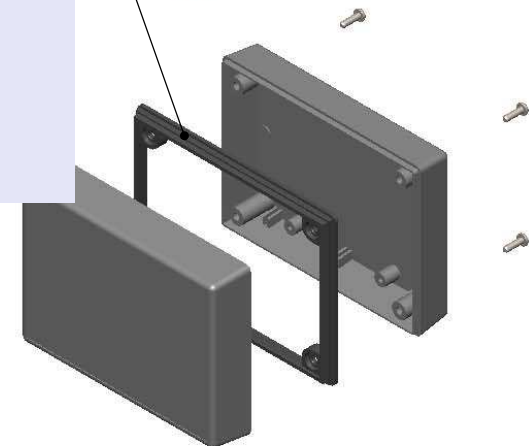
SERPAC 131i (exploded isometric)

Electronic Enclosures

- Click on image to show toolbar. Use ▶|| to Play/Pause Animation.
- Left click and drag on image to move 3D model.



Waterproofing gasket
PS13 optional
 see note #2



- a) Zoom in & out with center wheel.
- b) Pause at any moment to view and or print views.
- c) Change the views to ortho and section views if needed from the Views pull down menu.
- d) Explore options included in the tool bar like: Views, Transparency of model, Lighting type, etc.

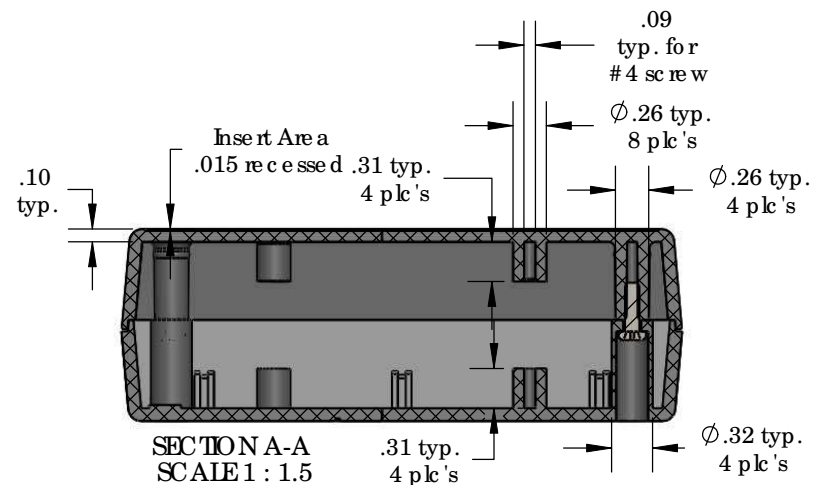
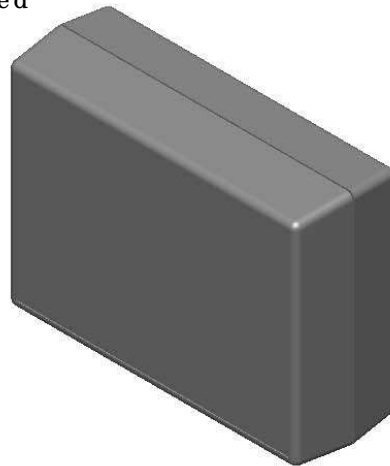
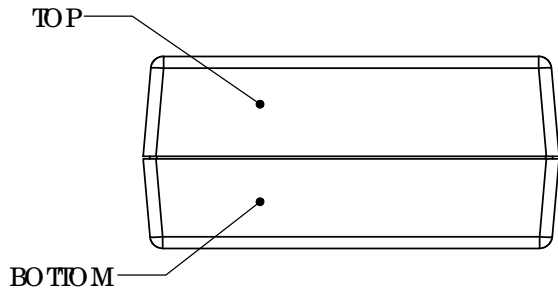
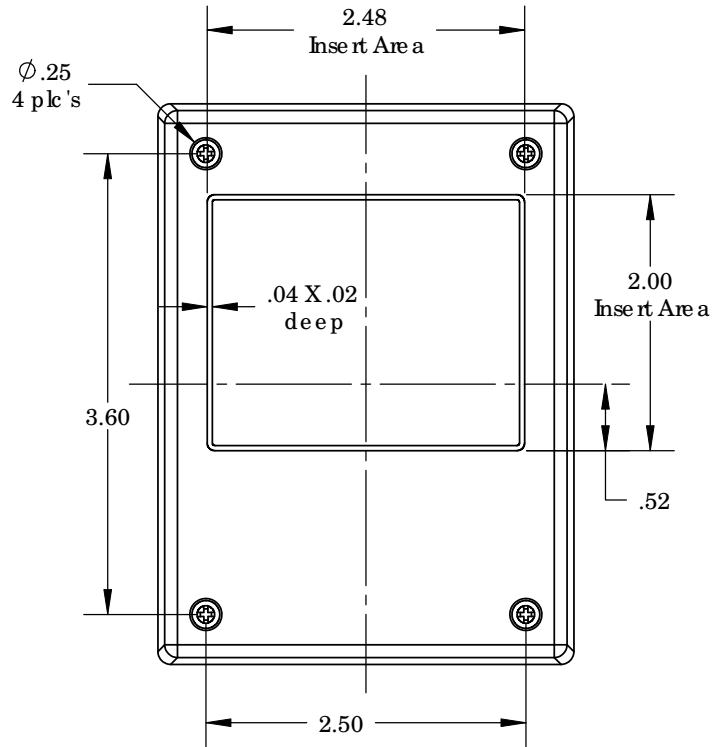
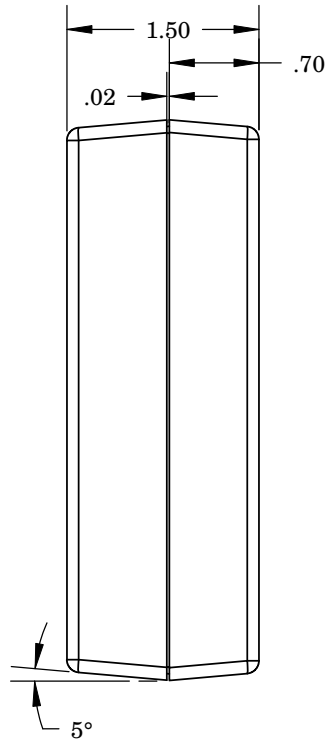
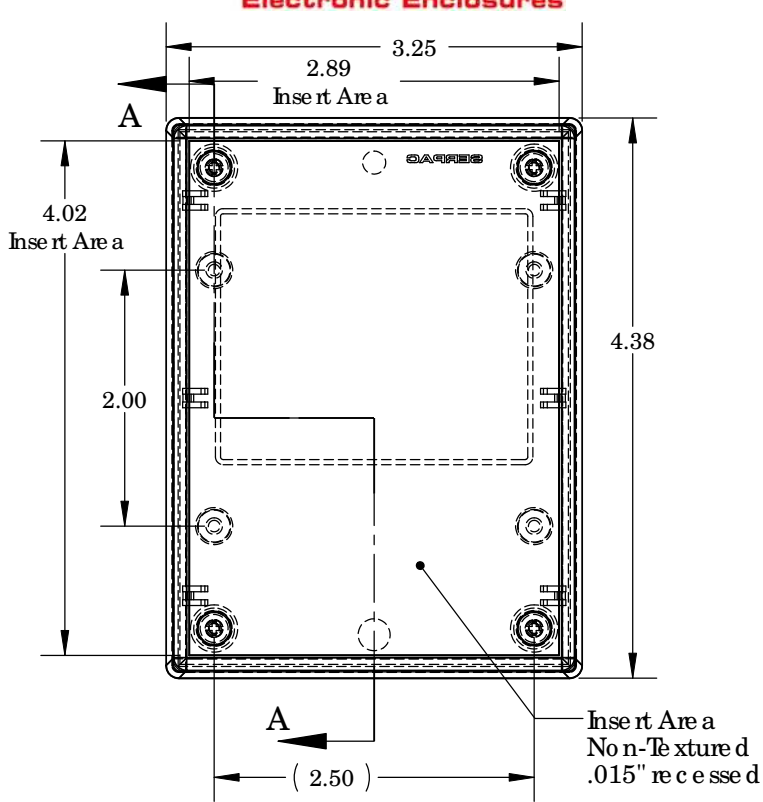
PART NO.	DESCRIPTION (Included)	ACCESSORIES (Optional)	
3-1-i	TOP	PART NO.	DESCRIPTION
13	BOTTOM	50	Non-skid Feet
6005	#4X3/8" Self tapping (4)	PS13	Perimeter Seal
		330	Prototype grid board
		430	Prototype clad board

Notes: Enclosure weight .19 lbs/ 88 gm
 1) Enclosure meets or exceeds IP40 and NEMA 1
 2) When used with PS13 the enclosure meets or exceeds IP 67 and NEMA 4X, 12 and 13 MIL-SID-810G 506.5
 3) Circuit Board drawings can be downloaded at:
<http://www.serpac.com/Accessories/CircuitBoard/drawings/330-430-cbg.pdf>
 4) All components are RoHS compliant.

ALL DIMENSIONS ARE ± .010" 3/22/10 (1 of 1)
619 Commercial Ave. Covina, CA 91723
Ph. (626) 331-0517 Ex. (626) 331-8584 serpac.com

SERPAC 131i (user print)

Electronic Enclosures



PART NO.	DESCRIPTION (Included)	ACCESSORIES (Optional)	
3-1-i	TOP	PART NO.	DESCRIPTION
13	BOTTOM	50	Non-skid Feet
6005	#4X3/8" self tapping (4)	PS13	Perimeter Seal
		330	Prototype grid board
		430	Prototype clad board

- Notes: Enclosure weight .19 lbs / 88 gm
- 1) Enclosure meets or exceeds IP40 and NEMA 1
 - 2) When used with PS13 the enclosure meets or exceeds IP 67 and NEMA 4X, 12 and 13 MIL-SID-810G 506.5
 - 3) Circuit Board drawings can be downloaded at: <http://www.sepac.com/Accessories/CircuitBoard/drawings/330-430-cbg.pdf>
 - 4) All components are RoHS Compliant.