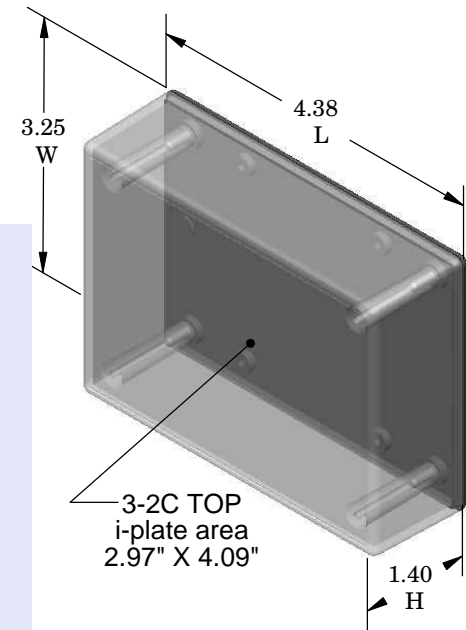
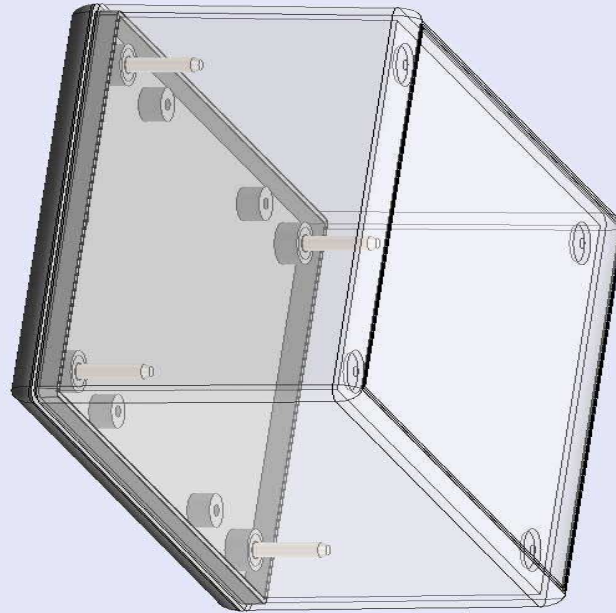


# SERPAC 032C (3D exploded)

Electronic Enclosures

- Click on image to show toolbar. Use ▶ || to Play/Pause Animation\*.
- Left click and drag on image to move 3D model.



- a) Zoom in & out with center wheel.
  - b) Pause at any moment to view and or print views.
  - c) Change the views to ortho and section views if needed from the Views pull down menu.
  - d) Explore options included in the tool bar like: Views, Transparency of model, Lighting type, etc.
- \* To have full interaction with the PDF files, please use free Adobe Reader 9 or newer version.

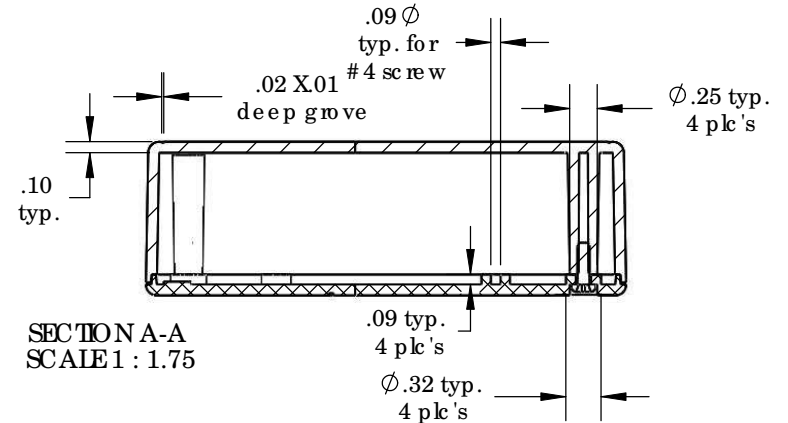
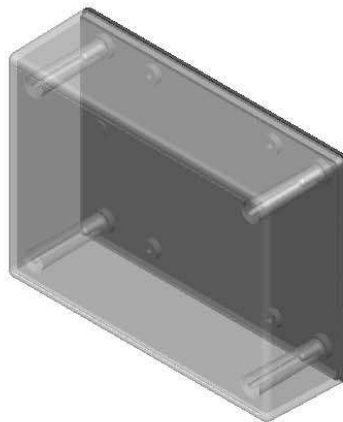
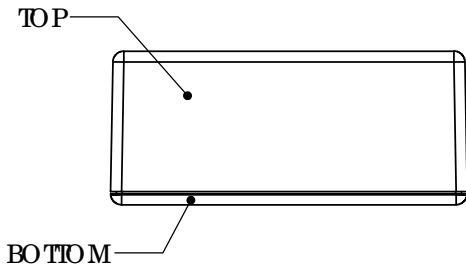
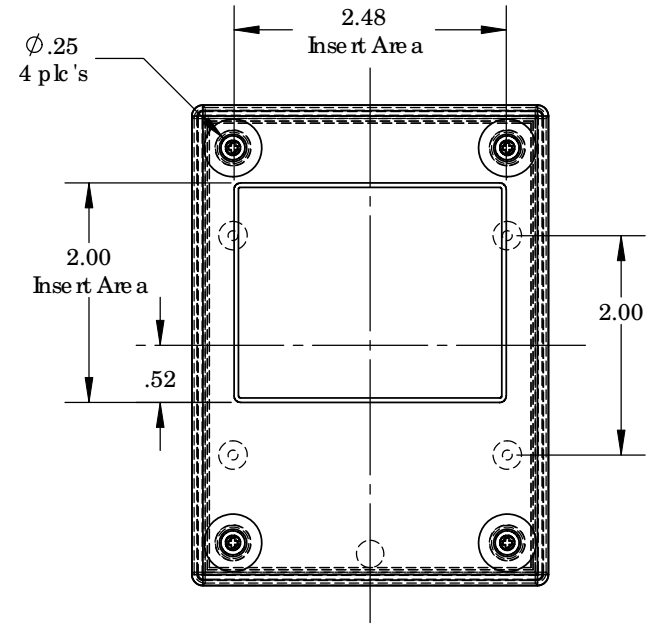
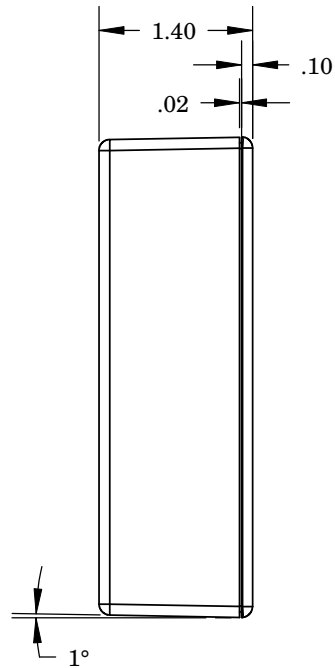
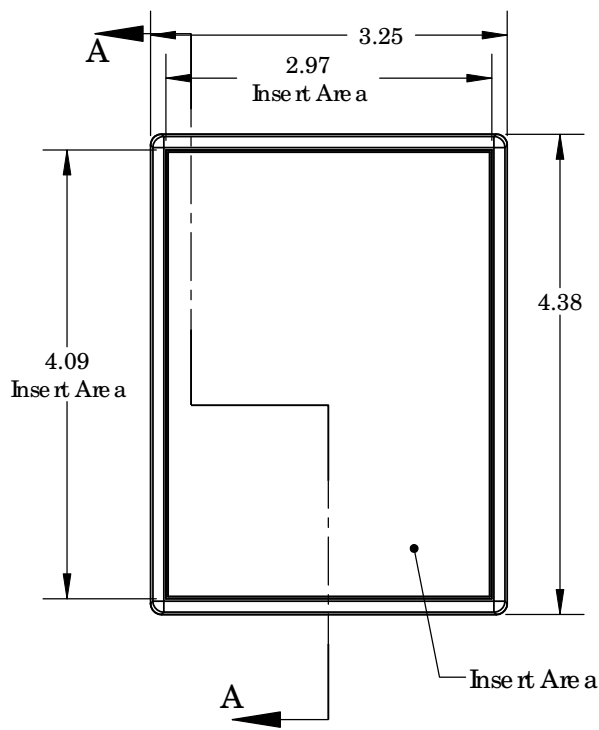
Notes: Enclosure weight .20 lbs / 91 gm  
 1) Enclosure meets or exceeds IP40 and NEMA 1  
 2) Circuit Board drawings can be downloaded at:  
<http://www.serpac.com/Accessories/CircuitBoard/drawings/330-430-cbg.pdf>  
 3) All components are RoHS Compliant.

ALL DIMENSIONS ARE ±.010" 5/12/10 (1 of 2)  
 2009 Wright Ave. La Verne, CA 91750  
 Ph. (626) 331-0517 Ex. (626) 331-8584 serpac.com

PART NO.	DESCRIPTION (Included)	ACCESSORIES (Optional) More available; see website.	
3-2C	TOP (Clear Polycarbonate)	PART NO.	DESCRIPTION
03	BOTTOM	51	Non-skid Feet
6005	#4X3/8" Self tapping (4)	330	Prototype grid board
		430	Prototype clad board
		6013	Screw for circuit board

# SERPAC 032C (user print)

Electronic Enclosures



PART NO.	DESCRIPTION (Included)	ACCESSORIES (Optional) More available; see website.	
3-2C	TOP (Clear Polycarbonate)	PART NO.	DESCRIPTION
03	BOTTOM	51	Non-skid Feet
6005	#4X3/8" self tapping (4)	330	Prototype grid board
		430	Prototype clad board
		6013	Screw for circuit board

Notes:  
 1) Enclosure weight .20 lbs / 91 gm  
 2) Circuit Board drawings can be downloaded at:  
<http://www.serpac.com/Accessories/CircuitBoard/drawings/330-430-cbg.pdf>  
 3) All components are RoHS compliant.

ALL DIMENSIONS ARE ± .010" 5/12/10 (2 of 2)  
 2009 Wright Ave. La Verne, CA 91750  
 Ph. (626) 331-0517 Ex. (626) 331-8584 www.serpac.com