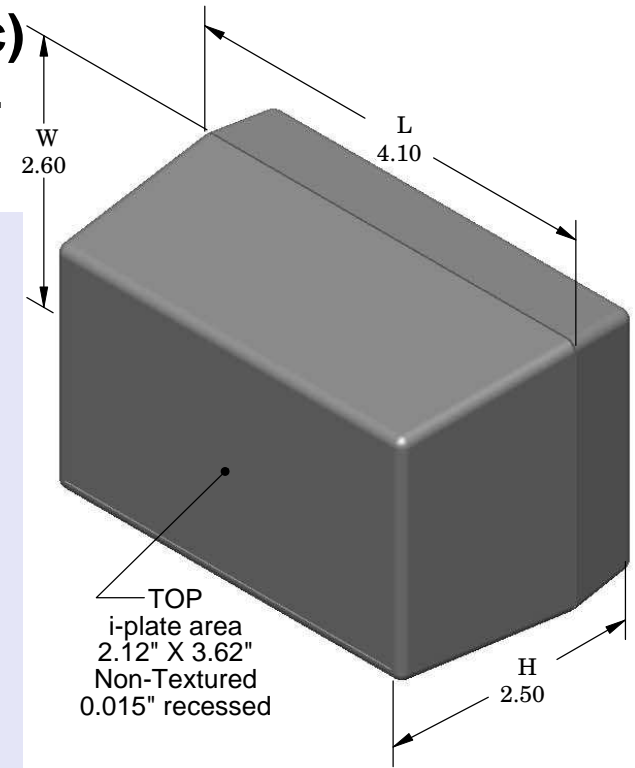
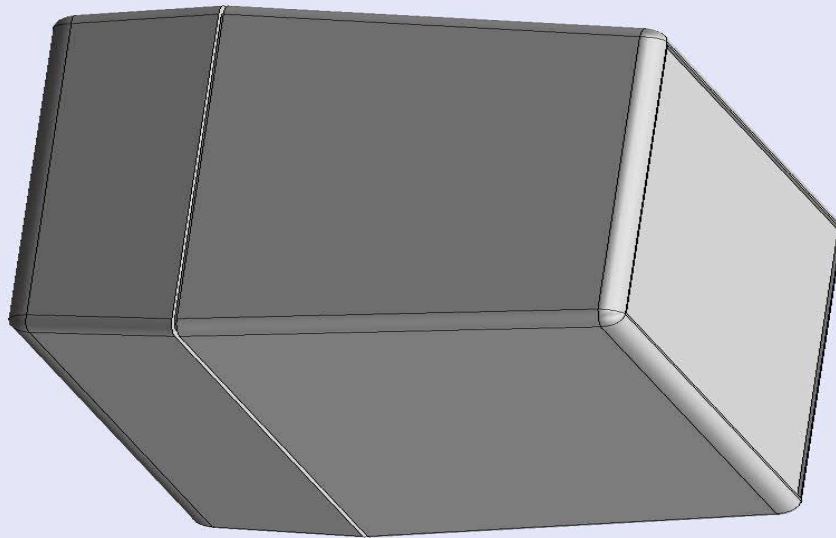


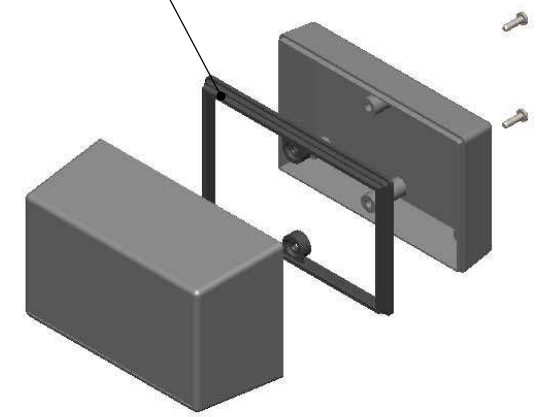
SERPAC123i (exploded isometric)

Electronic Enclosures

- Click on image to show toolbar. Use ▶ || to Play/Pause Animation.
- Left click and drag on image to move 3D model.



Waterproofing gasket
 PS12 optional
 see note #2



- a) Zoom in & out with center wheel.
- b) Pause at any moment to view and or print views.
- c) Change the views to ortho and section views if needed from the Views pull down menu.
- d) Explore options included in the tool bar like: Views, Transparency of model, Lighting type, etc.

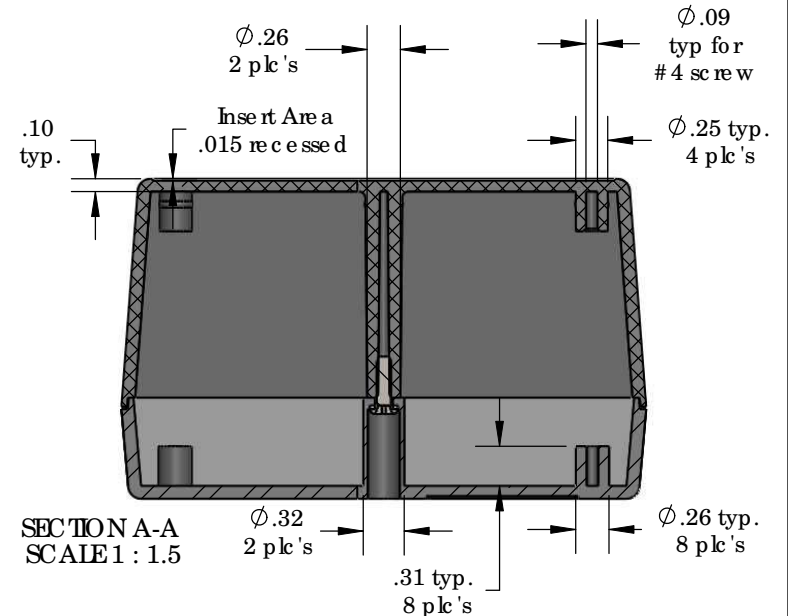
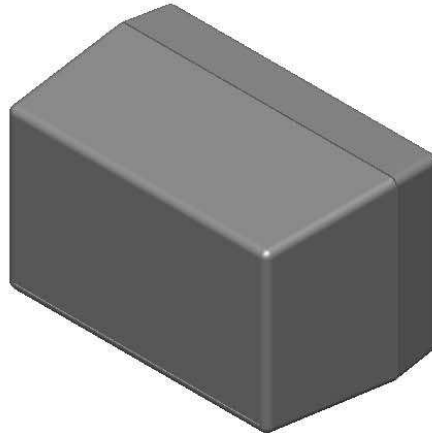
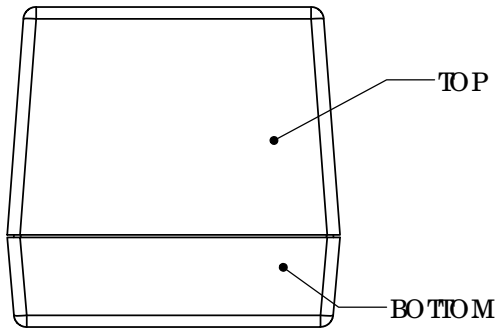
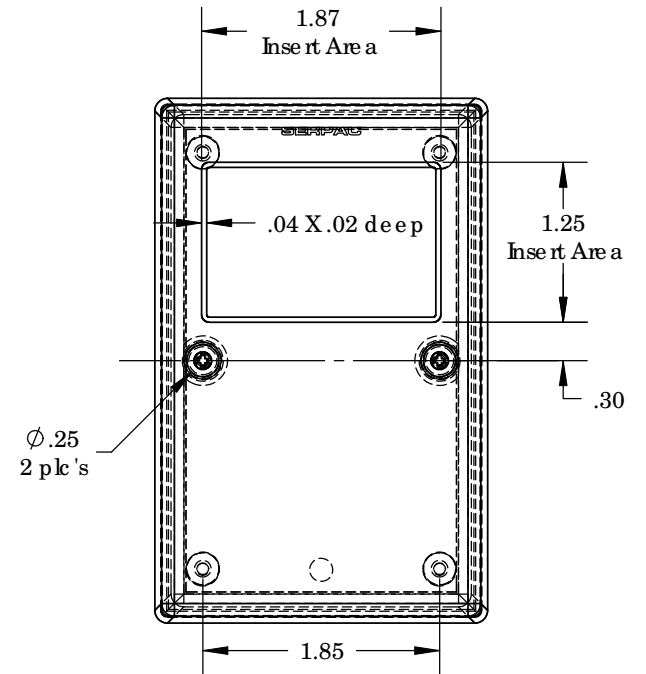
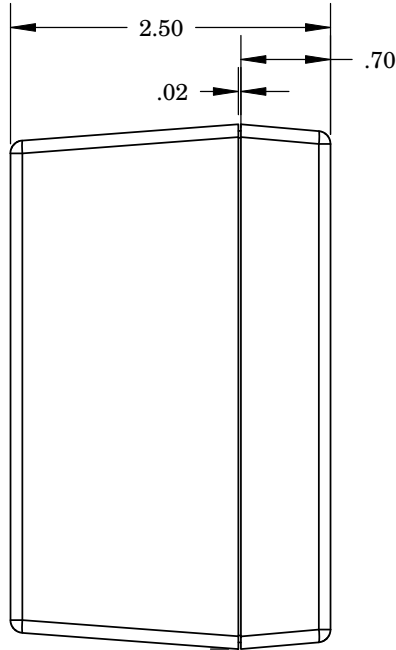
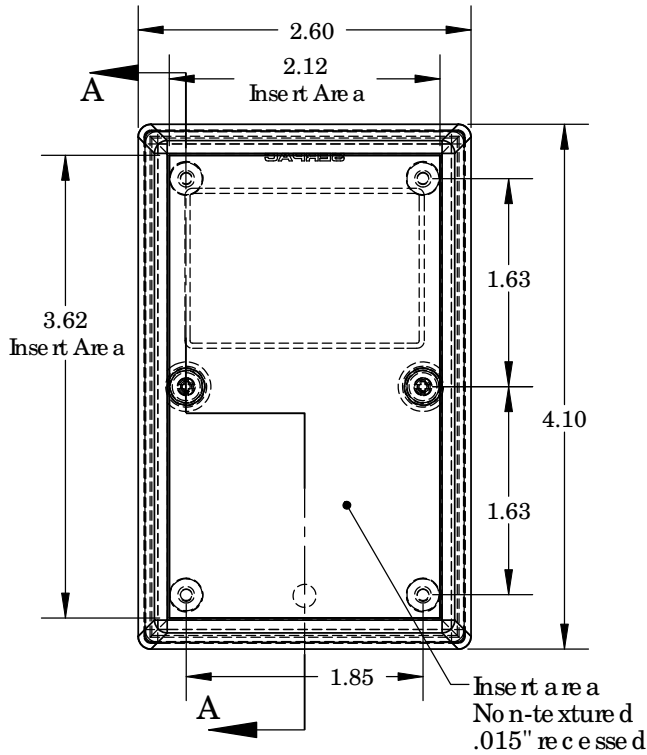
PART NO.	DESCRIPTION (Included)	ACCESSORIES (Optional)	
		PART NO.	DESCRIPTION
2-3-i	TOP		
12	BOTTOM	PS12	Perimeter Seal
6005	#4X3/8" Self tapping (2)		

Notes: (Enclosure weight 0.19 lb / 88 gm)
 1) Enclosure meets or exceeds IP40 and NEMA 1
 2) When used with PS12 the enclosure meets or exceeds IP 67 and NEMA 4X, 12 and 13 MIL-SID-810G 506.5
 3) Circuit Board drawings can be downloaded at:
http://www.serpac.com/Products/Accessories/CircuitBoard/drawings/CB_12X.pdf
 4) All components are RoHS compliant.

ALL DIMENSIONS ARE ±.010" 3/22/10 (1 of 2)
 619 Commercial Ave. Covina, CA 91723
 Ph. (626) 331-0517 Ex. (626) 331-8584 serpac.com

SERPAC 123i (user print)

Electronic Enclosures



SECTION A-A
SCALE 1 : 1.5

- Note: (Enclosure weight 0.19 lb / 88 gm)
- 1) Enclosure meets or exceeds IP40 and NEMA 1
 - 2) When used with PS12 the enclosure meets or exceeds IP 67 and NEMA 4X, 12 and 13 MIL-STD-810G 506.5
 - 3) Circuit Board drawings can be downloaded at: http://www.serpac.com/Products/Accessories/CircuitBoard/drawings/CB_12X.pdf
 - 4) All components are RoHS Compliant.

PART NO.	DESCRIPTION (Included)	ACCESSORIES (Optional)	
2-3-i	TOP	PART NO.	DESCRIPTION
12	BOTTOM	PS12	Perimeter Seal
6005	#4X3/8" self tapping (2)		

ALL DIMENSIONS ARE ± .010" 3/22/10 (2 of 2)
619 Commercial Ave. Covina, CA 91723
Ph. (626) 331-0517 Ex. (626) 331-8584 www.serpac.com