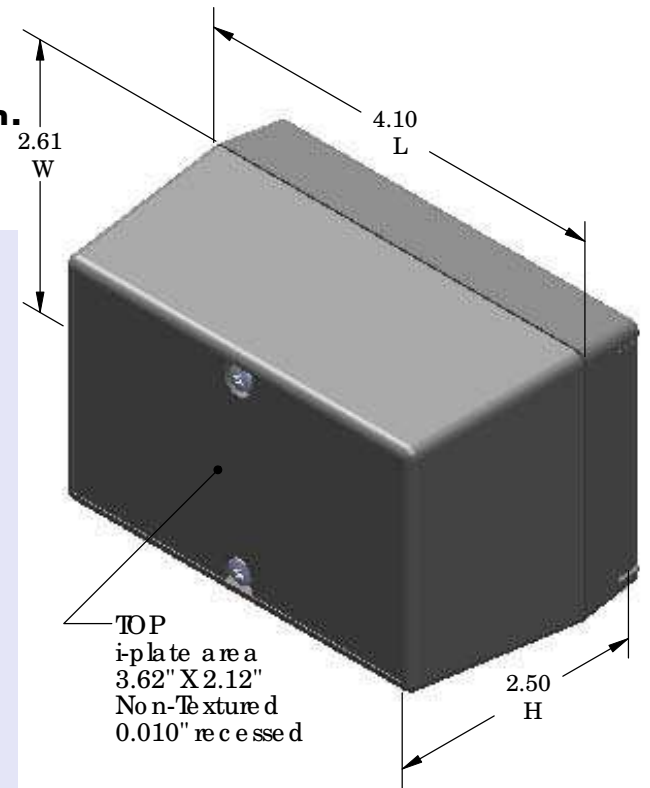
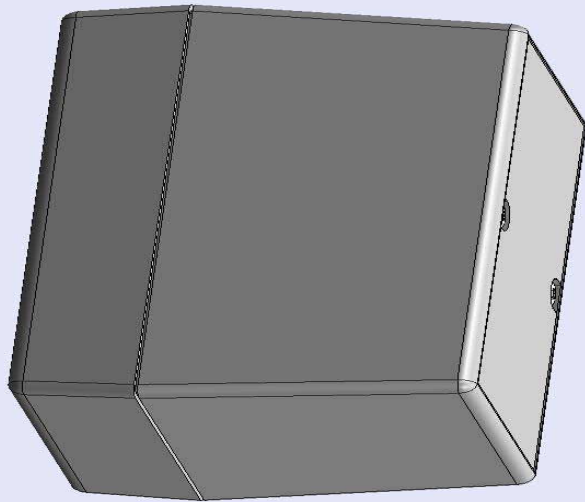


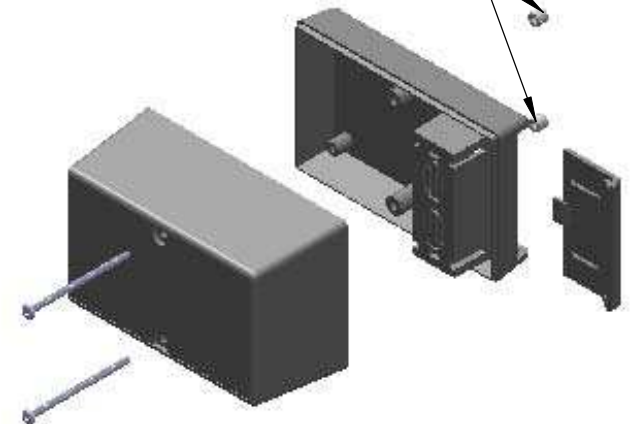
SERPAC 223Ri (3D exploded)

Electronic Enclosures

- Click on image to show toolbar. Use  to Play/Pause Animation.
- Left click and drag on image to move 3D model.



Threaded inserts only have to be assembled the first time.



- a) Zoom in & out with center wheel.
- b) Pause at any moment to view and or print views.
- c) Change the views to ortho and section views if needed from the Views pull down menu.
- d) Explore options included in the tool bar like: Views, Transparency of model, Lighting type, etc.

PART NO.	DESCRIPTION (Included)	ACCESSORIES (Optional)	
2-3Ri	TOP	PART NO.	DESCRIPTION
22	BOTTOM	319	Prototype grid board (bottom)
1025	Battery Cover	419	Prototype clad board (bottom)
6019	4-40 Screws (2)		
6102	Threaded Inserts (2)		

Notes: Enclosure weight .22 lbs / 102 gm

- 1) Enclosure meets or exceeds IP40 and NEMA 1
- 2) Circuit Board drawings can be downloaded at:

TOP:
http://www.serpac.com/Accessories/CircuitBoard/drawings/CB_12X.pdf

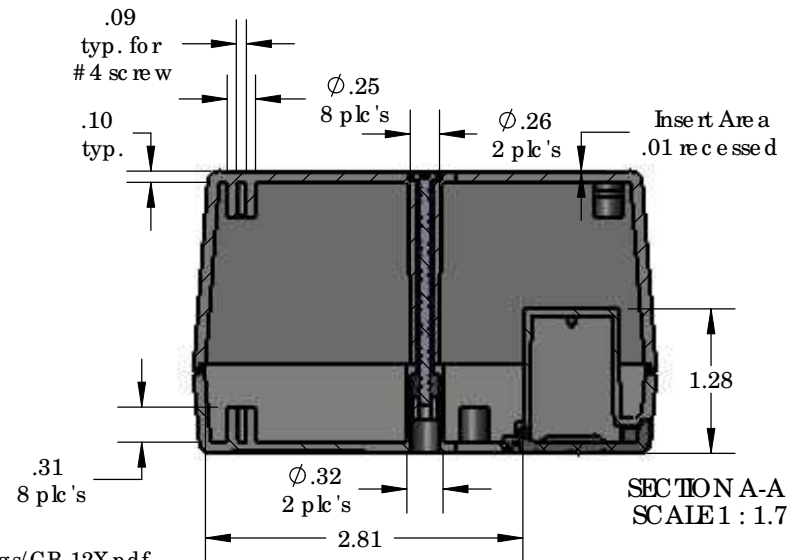
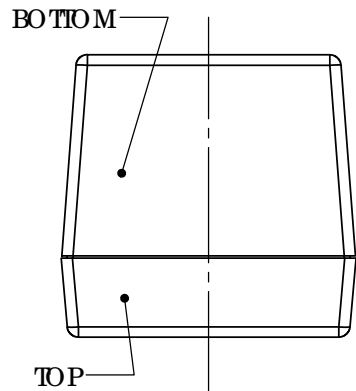
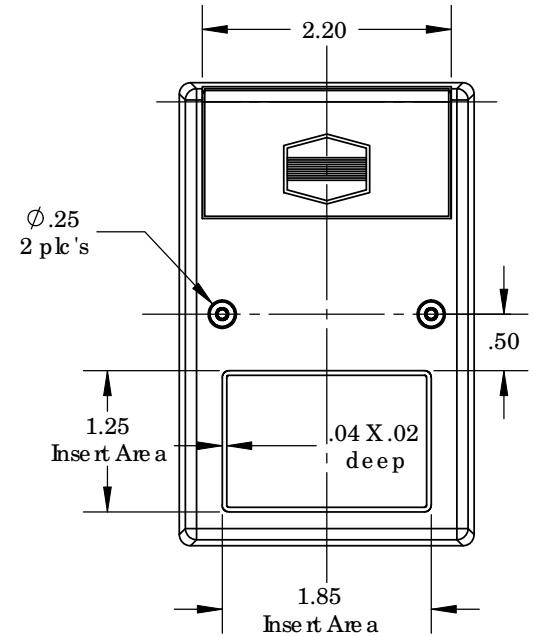
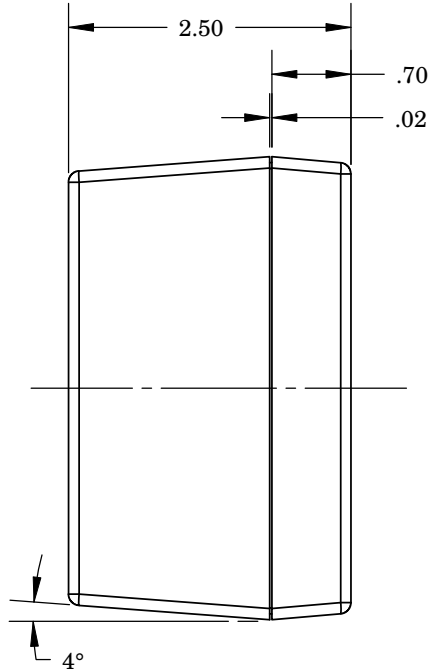
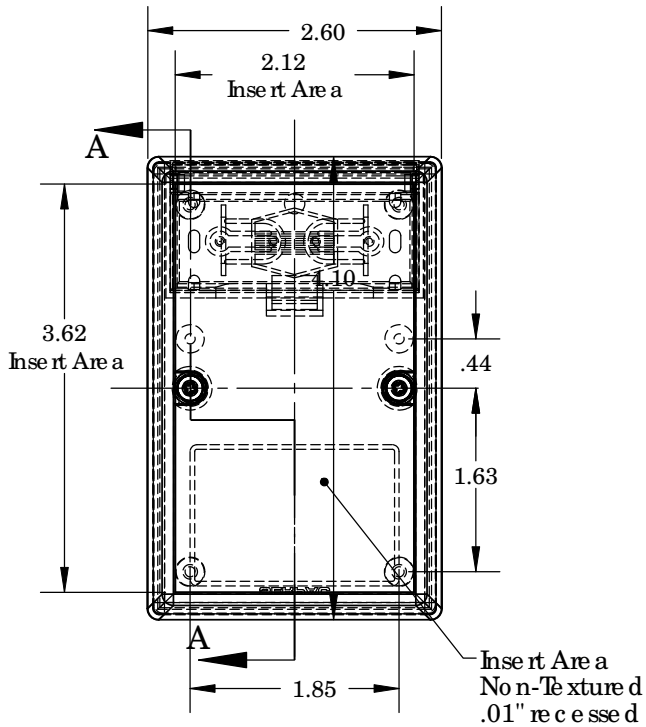
BOTTOM:
<http://www.serpac.com/Accessories/CircuitBoard/drawings/319-419.pdf>

- 3) All components are RoHS Compliant.

ALL DIMENSIONS ARE ±.010" 8/04/10 (1 of 2)
 2009 Wright Ave. La Verne, CA 91750
 Ph. (626) 331-0517 Ex. (626) 331-8584 serpac.com

SERPAC 223Ri (user print)

Electronic Enclosures



PART NO.	DESCRIPTION (Included)	ACCESSORIES (Optional)	
2-3Ri	TOP	PART NO.	DESCRIPTION
22	BOTTOM	359	Prototype grid board (bottom)
1025	Battery Cover	459	Prototype clad board (bottom)
6019	4-40 Screws (2)		
6102	Threaded Inserts (2)		

Notes: Enclosure weight .22 lbs/ 102 gm
 1) Enclosure meets or exceeds IP40 and NEMA 1
 2) Circuit Board drawings can be downloaded at:
 TOP: http://www.serpac.com/Accessories/CircuitBoard/drawings/CB_12X.pdf
 BOTTOM: <http://www.serpac.com/Accessories/CircuitBoard/drawings/319-419-cbg.pdf>
 3) All components are RoHS Compliant.

ALL DIMENSIONS ARE ± .010" 8/04/10 (2 of 2)
 2009 Wright Ave. La Verne, CA 91750
 Ph. (626) 331-0517 Ex. (626) 331-8584 www.serpac.com