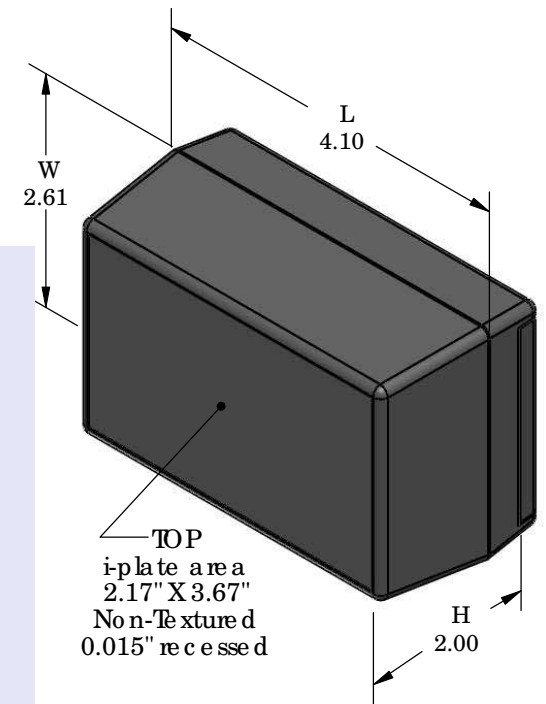
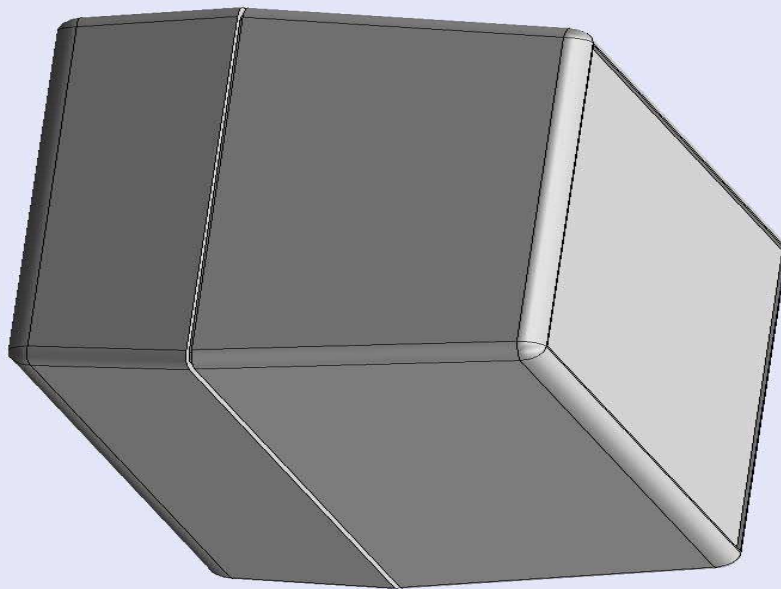


SERPAC 222i (3D exploded)

Electronic Enclosures

- Click on image to show toolbar. Use  to Play/Pause Animation.
- Left click and drag on image to move 3D model.



- Zoom in & out with center wheel.
- Pause at any moment to view and or print views.
- Change the views to ortho and section views if needed from the Views pull down menu.
- Explore options included in the tool bar like: Views, Transparency of model, Lighting type, etc.

Notes: (Enclosure weight 0.18 lb / 85 gm)

1) Enclosure meets or exceeds IP40 and NEMA 1

2) Top Circuit Board drawings can be downloaded at:

http://www.serpac.com/Products/Accessories/CircuitBoard/drawings/CB_12X.pdf

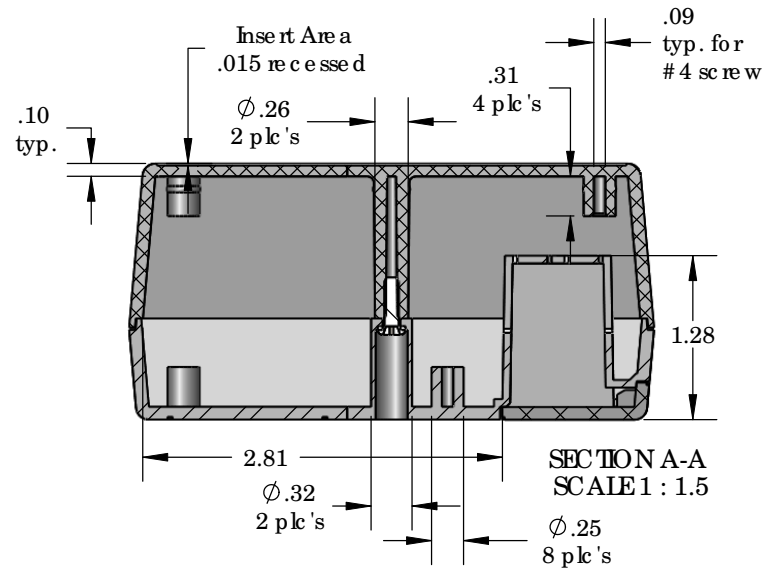
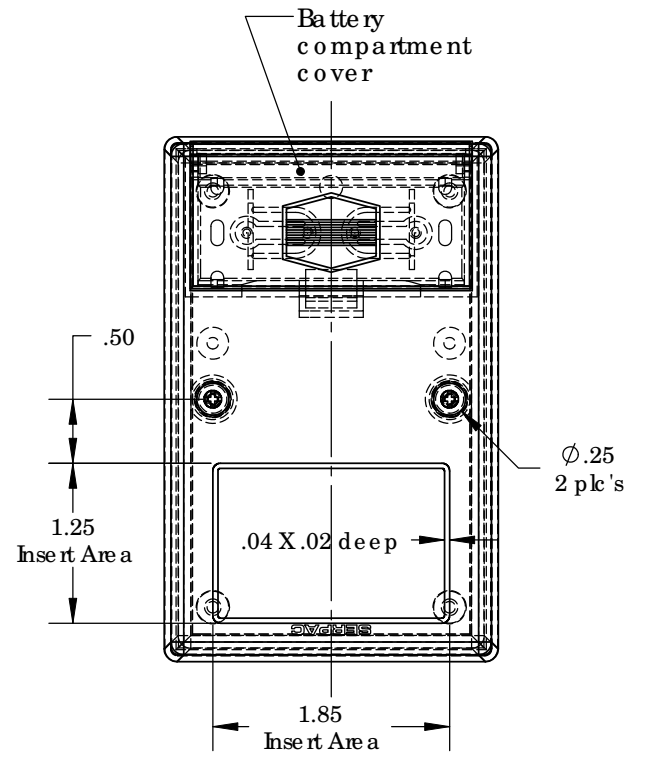
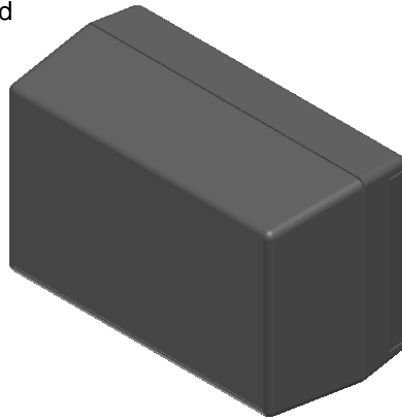
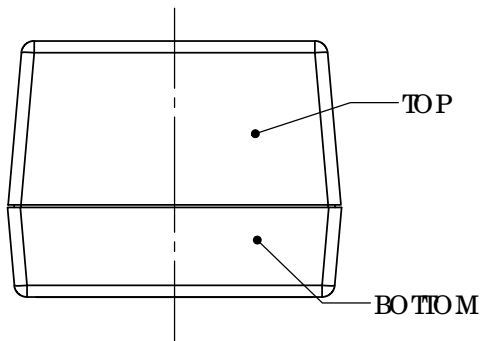
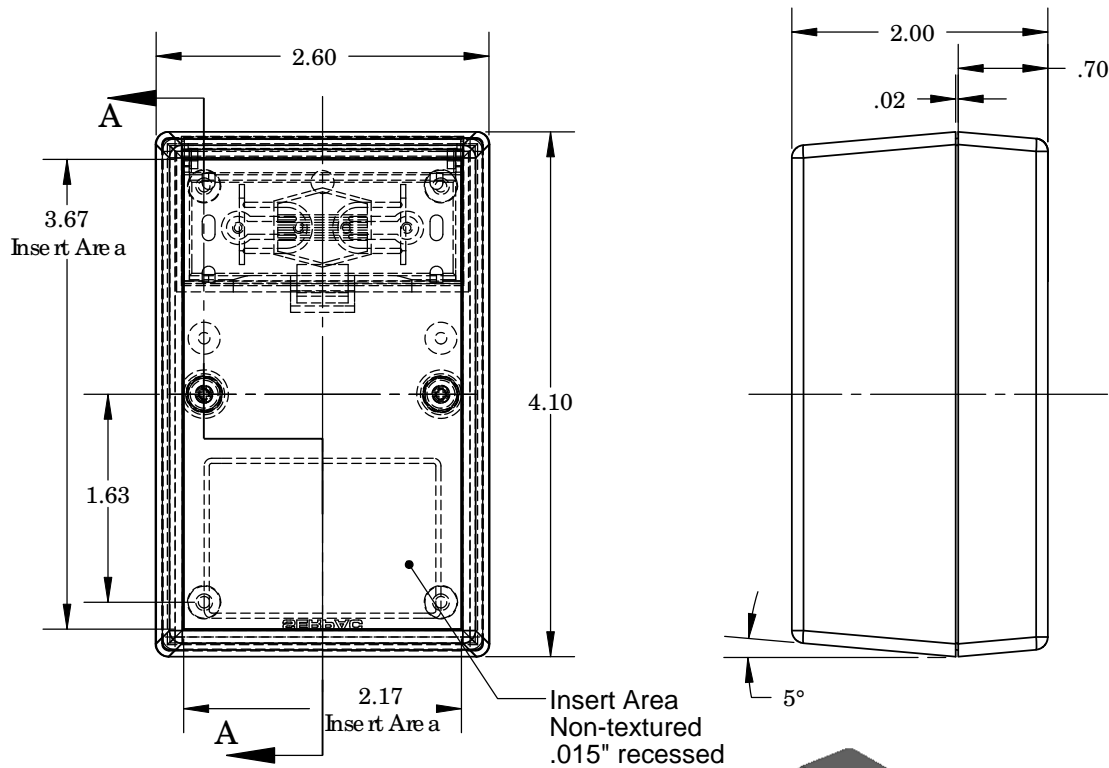
3) All components are RoHS Compliant.

PART NO.	DESCRIPTION (Included)	ACCESSORIES (Optional)	
2-2i	TOP	PART NO.	DESCRIPTION
22	BOTTOM	319	Prototype grid board (Bottom)
1025	Battery Cover	419	Prototype clad board (Bottom)
6005	#4X3/8" Self tapping (2)		

ALL DIMENSIONS ARE ±.010" 4/12/10 (1 of 2)
619 Commercial Ave. Covina, CA 91723
Ph. (626) 331-0517 Ex. (626) 331-8584 serpac.com

SERPAC 222i (user print)

Electronic Enclosures



PART NO.	DESCRIPTION (Included)	ACCESSORIES (Optional)
2-2i	TOP	PART NO. DESCRIPTION
22	BOTTOM	319 Prototype grid board (Bottom)
1025	Battery Cover	419 Prototype clad board (Bottom)
6005	#4X3/8" self tapping (2)	

Notes: (Enclosure weight 0.18 lb / 85 gm)
 1) Enclosure meets or exceeds IP40 and NEMA 1
 2) Top Circuit Board drawings can be downloaded at: http://www.serpac.com/Products/Accessories/CircuitBoard/drawings/CB_12X.pdf
 3) All components are RoHS Compliant.

ALL DIMENSIONS ARE ±.010" 4/12/10 (2 of 2)
 619 Commercial Ave. Covina, CA 91723
 Ph. (626) 331-0517 Ex. (626) 331-8584 www.serpac.com