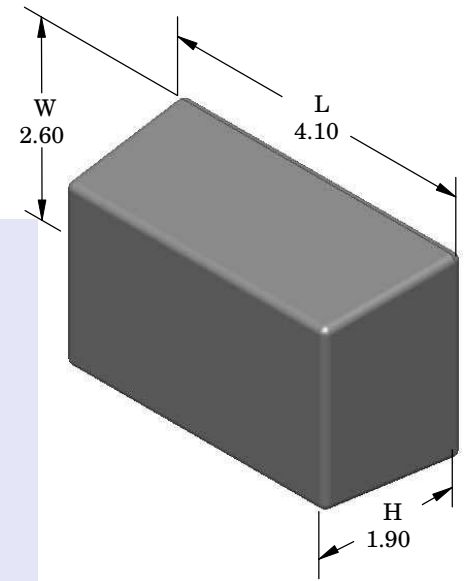
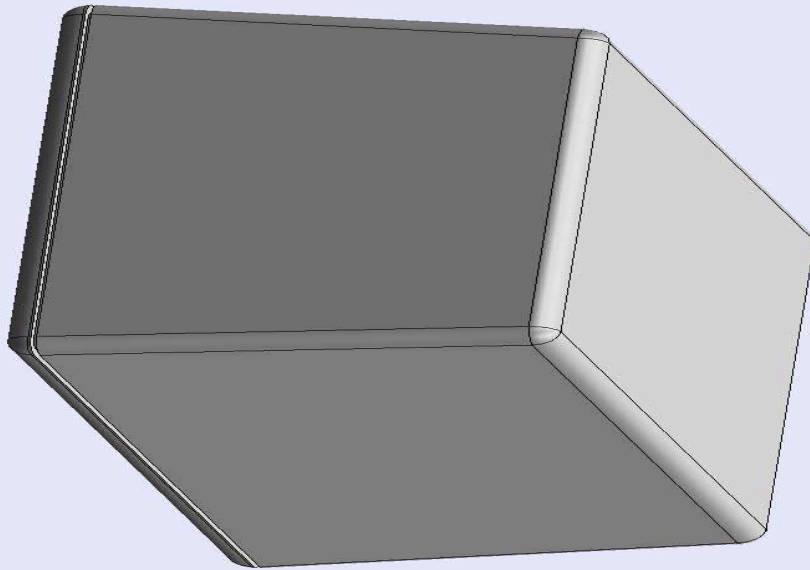


# SERPAC 023 (exploded isometric)

Electronic Enclosures

- Click on image to show toolbar. Use ▶|| to Play/Pause Animation.
- Left click and drag on image to move 3D model.



- a) Zoom in & out with center wheel.
- b) Pause at any moment to view and or print views.
- c) Change the views to ortho and section views if needed from the Views pull down menu.
- d) Explore options included in the tool bar like: Views, Transparency of model, Lighting type, etc.

PART NO.	DESCRIPTION (Included)	ACCESSORIES (Optional)	
2-3	TOP	PART NO.	DESCRIPTION
02	BOTTOM	52	Non-skid feet
6005	#4X3/8" Self tapping (2)		

Notes: (Enclosure weight 0.16 lb / 74 gm)

1) Enclosure meets or exceeds IP40 and NEMA 1

2) Circuit Board drawings can be downloaded at:

[http://www.serpac.com/Products/Accessories/CircuitBoard/drawings/CB\\_02X.pdf](http://www.serpac.com/Products/Accessories/CircuitBoard/drawings/CB_02X.pdf)

3) All components are RoHS compliant.

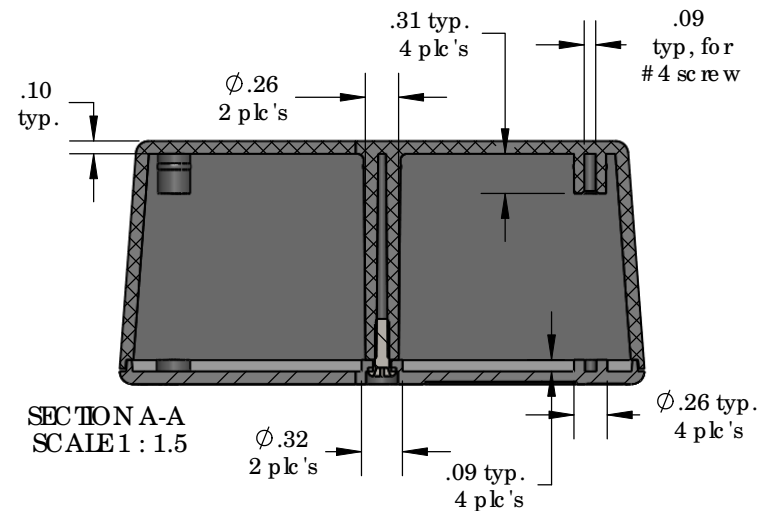
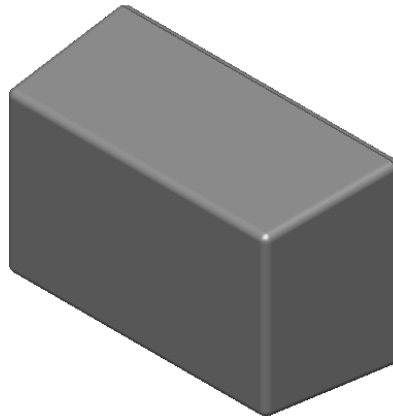
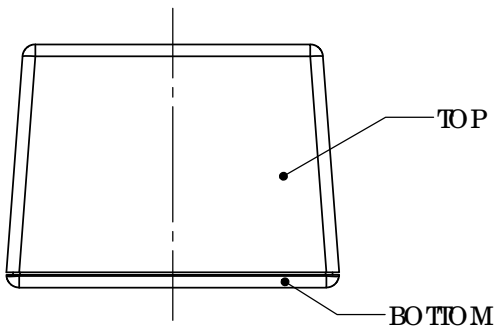
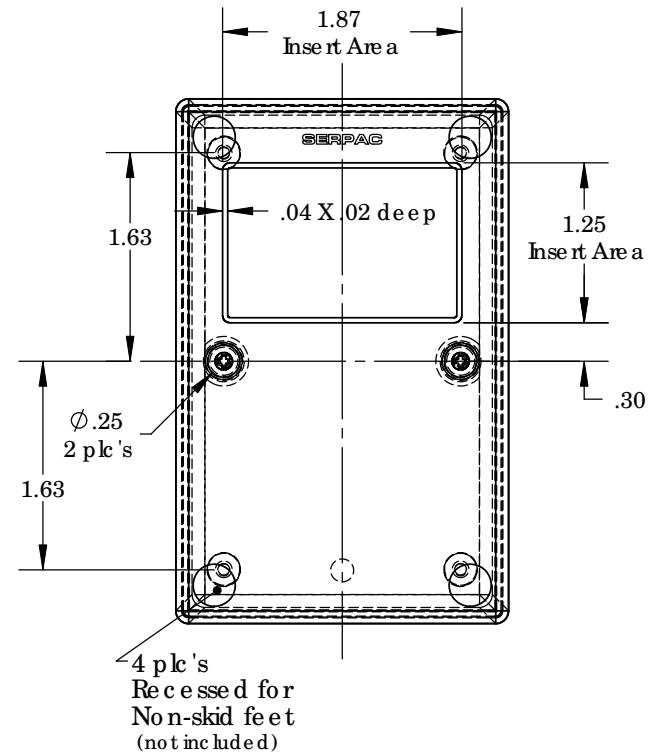
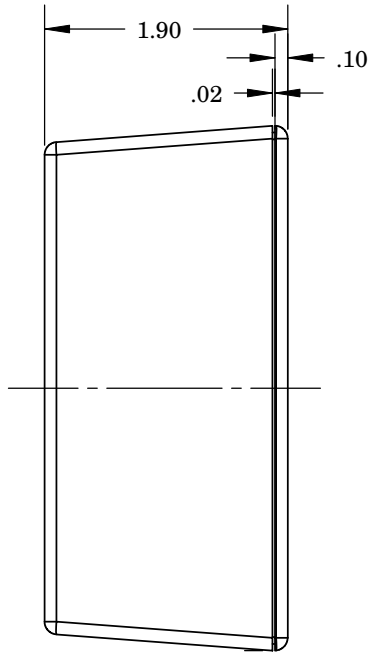
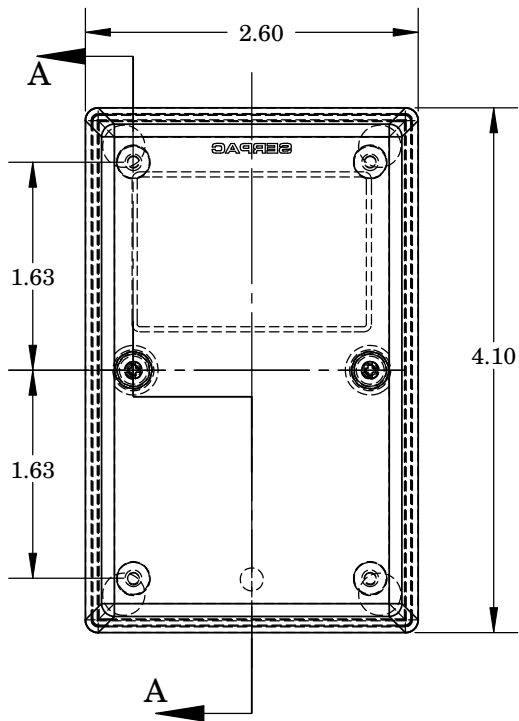
ALL DIMENSIONS ARE ±.010" 3/17/10 (1 of 2)

619 Commercial Ave. Covina, CA 91723

Ph. (626) 331-0517 Ex. (626) 331-8584 [serpac.com](http://serpac.com)

# SERPAC 023 (user print)

Electronic Enclosures



PART NO.	DESCRIPTION (Included)	ACCESSORIES (Optional)	
2-3	TOP	PART NO.	DESCRIPTION
02	BOTTOM	52	Non-skid feet
6005	#4X3/8" self tapping (2)		

Notes: (Enclosure weight 0.16 lb / 74 gm)  
 1) Enclosure meets or exceeds IP40 and NEMA 1  
 2) Circuit Board drawings can be downloaded at:  
[http://www.sempac.com/Products/Accessories/CircuitBoard/drawings/CB\\_02X.pdf](http://www.sempac.com/Products/Accessories/CircuitBoard/drawings/CB_02X.pdf)  
 3) All components are RoHS Compliant.

SECTION A-A  
 SCALE 1 : 1.5