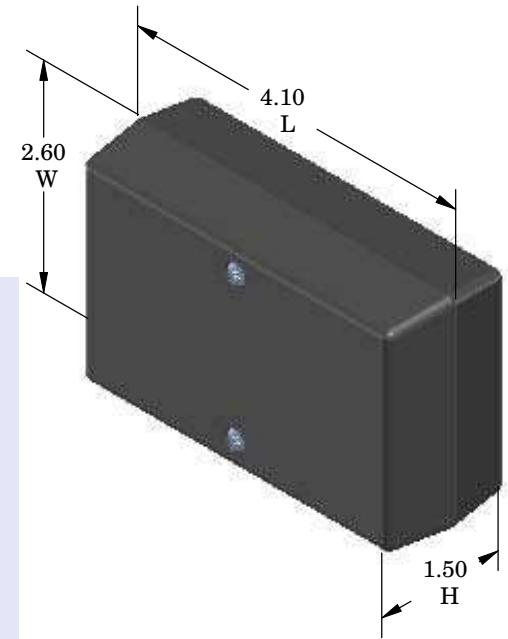
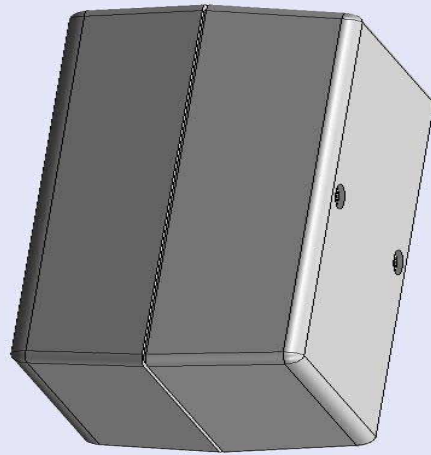


# SERPAC 121R (3D exploded)

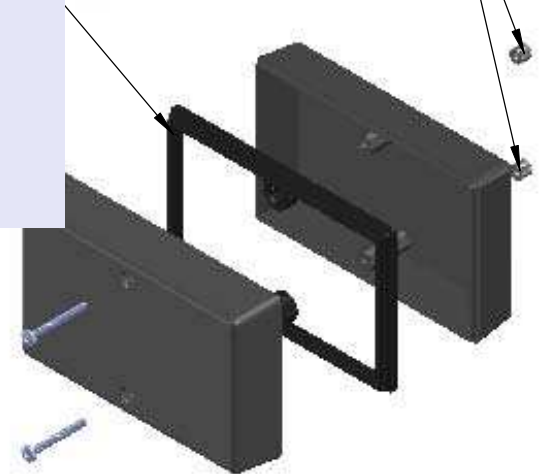
Electronic Enclosures

- Click on image to show toolbar. Use ▶ || to Play/Pause Animation.
- Left click and drag on image to move 3D model.



Threaded inserts only have to be assembled the first time.

Waterproofing gasket  
PS12 optional  
see note #2



- a) Zoom in & out with center wheel.
- b) Pause at any moment to view and or print views.
- c) Change the views to ortho and section views if needed from the Views pull down menu.
- d) Explore options included in the tool bar like: Views, Transparency of model, Lighting type, etc.

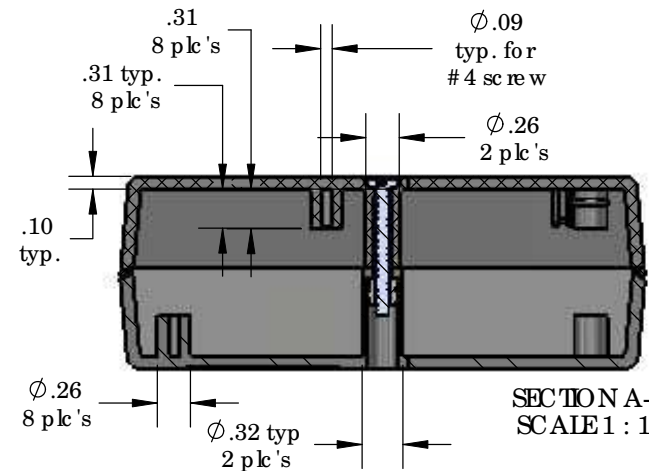
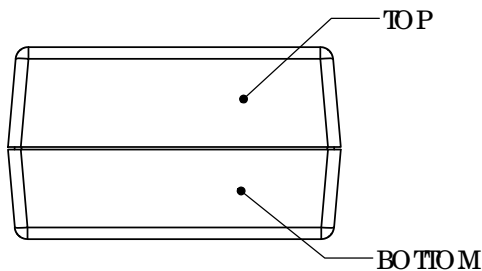
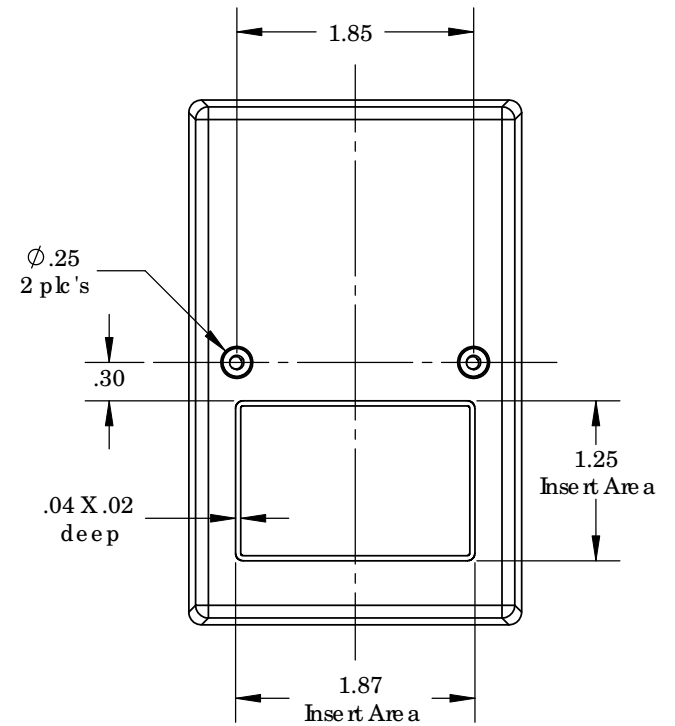
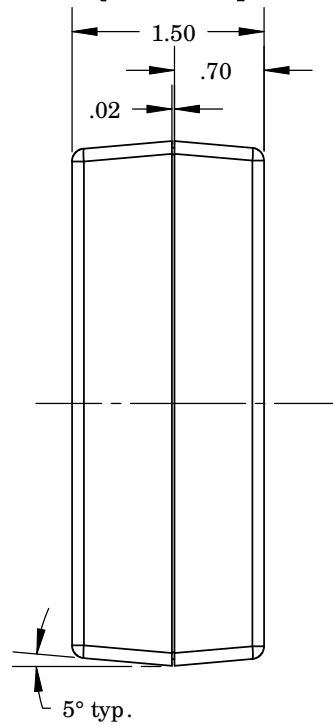
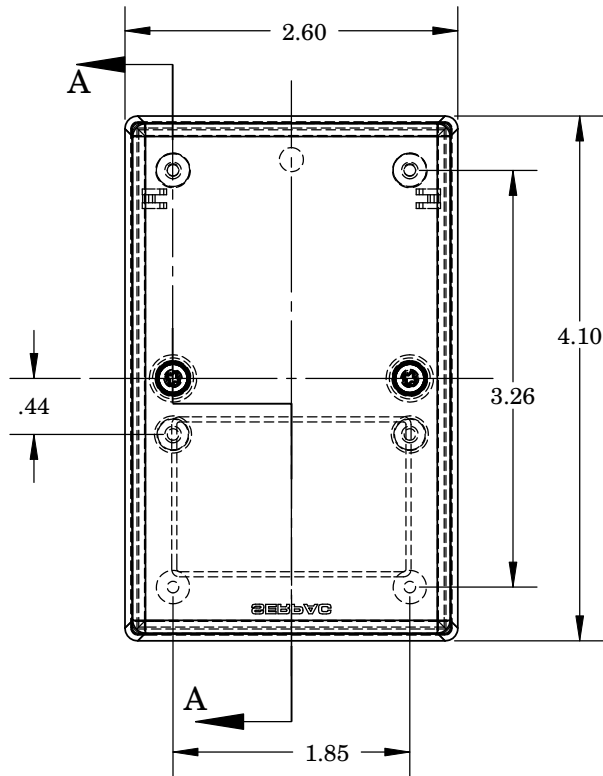
PART NO.	DESCRIPTION (Included)	ACCESSORIES (Optional)	
2-1R	TOP	PART NO.	DESCRIPTION
12	BOTTOM	PS 12	Perimeter Seal
6017	4-40 SCREW (2)		
6102	THREADED INSERTS (2)		

- Notes: Enclosure weight .16 lbs / 74 gm
- 1) Enclosure meets or exceeds IP40 and NEMA 1
  - 2) When used with PS12 the enclosure meets or exceeds IP 67 and NEMA 4X, 12 and 13 MIL-SID-810G 506.5
  - 3) Circuit Board drawings can be downloaded at:  
[http://www.serpac.com/Accessories/CircuitBoard/drawings/CB\\_121.pdf](http://www.serpac.com/Accessories/CircuitBoard/drawings/CB_121.pdf)
  - 4) All components are RoHS Compliant.

ALL DIMENSIONS ARE ± .010" 7/29/10 (1 of 2)  
2009 Wright Ave. La Verne, CA 91750  
Ph. (626) 331-0517 Ex. (626) 331-8584 [serpac.com](http://serpac.com)

# SERPAC 121R (user print)

Electronic Enclosures



SECTION A-A  
SCALE 1 : 1.5

PART NO.	DESCRIPTION (Included)	ACCESSORIES (Optional)	
2-1R	TOP	PART NO.	DESCRIPTION
12	BOTTOM	PS12	Perimeter Seal
6017	4-40 SCREW (2)		
6102	THREADED INSERTS (2)		

- Notes: Enclosure weight .16 lbs / 74 gm
- 1) Enclosure meets or exceeds IP40 and NEMA 1
  - 2) When used with PS-12 the enclosure meets or exceeds IP 67 and NEMA 4X, 12 and 13 MIL-STD-810G 506.5
  - 3) Circuit Board drawings can be downloaded at: [http://www.serpac.com/Accessories/CircuitBoard/drawings/CB\\_121.pdf](http://www.serpac.com/Accessories/CircuitBoard/drawings/CB_121.pdf)
  - 4) All components are RoHS Compliant.

ALL DIMENSIONS ARE ± .010" 7/29/10 (2 of 2)  
2009 Wright Ave. La Verne, CA 91750  
Ph. (626) 331-0517 Ex. (626) 331-8584 [www.serpac.com](http://www.serpac.com)