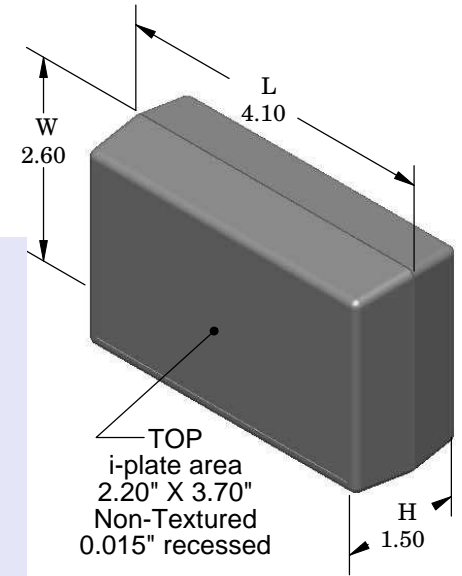
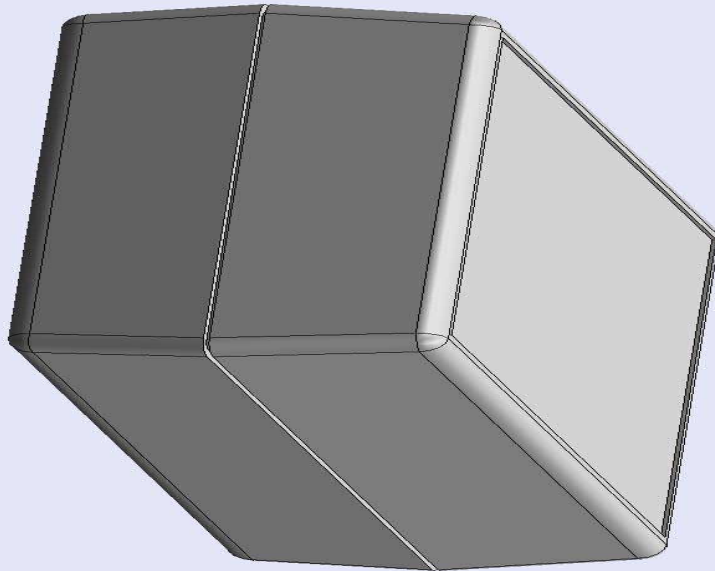


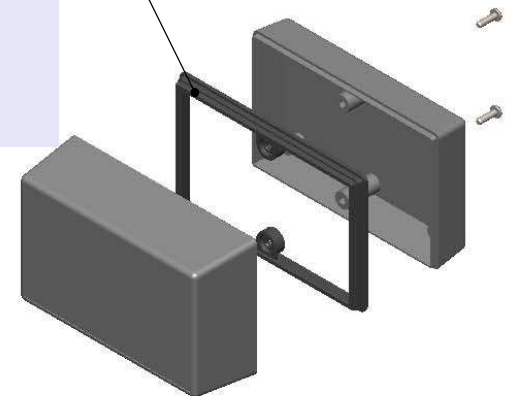
# SERPAC 121i (exploded isometric)

Electronic Enclosures

- Click on image to show toolbar. Use ▶|| to Play/Pause Animation.
- Left click and drag on image to move 3D model.



**Waterproofing gasket  
PS12 optional  
see note #2**



- a) Zoom in & out with center wheel.
- b) Pause at any moment to view and or print views.
- c) Change the views to ortho and section views if needed from the Views pull down menu.
- d) Explore options included in the tool bar like: Views, Transparency of model, Lighting type, etc.

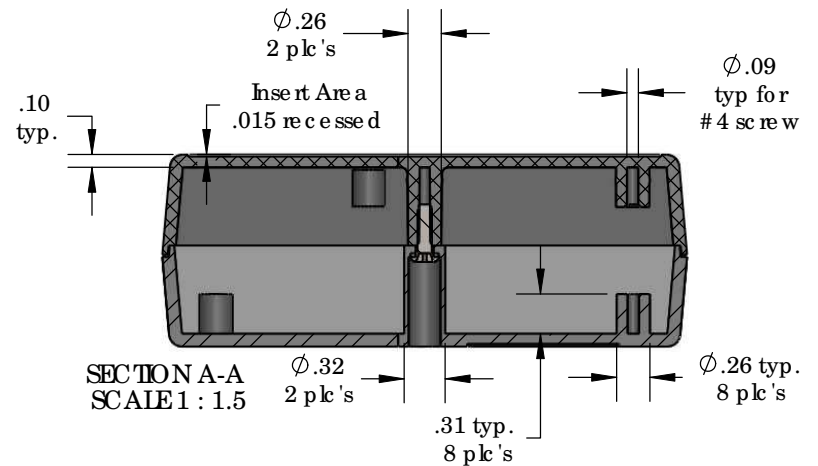
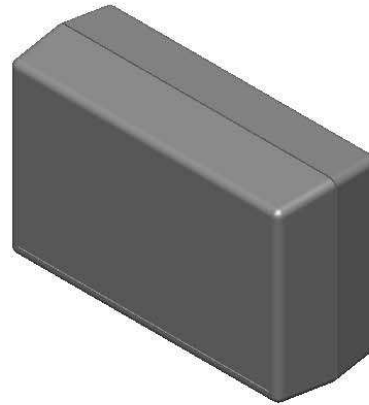
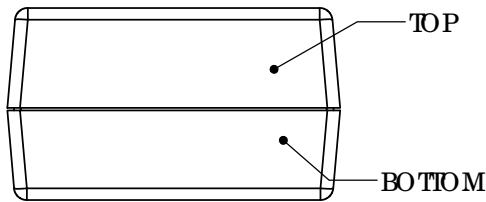
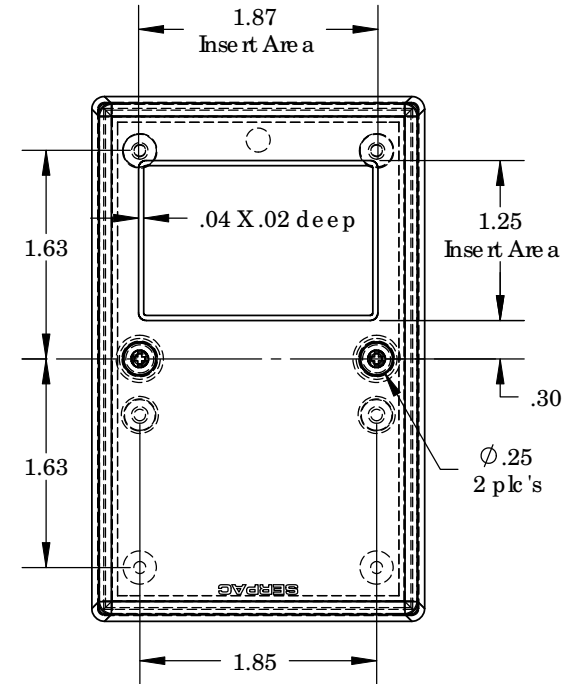
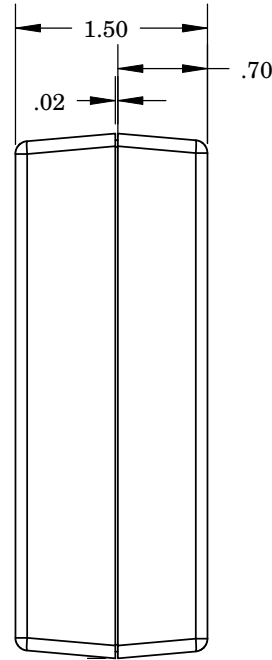
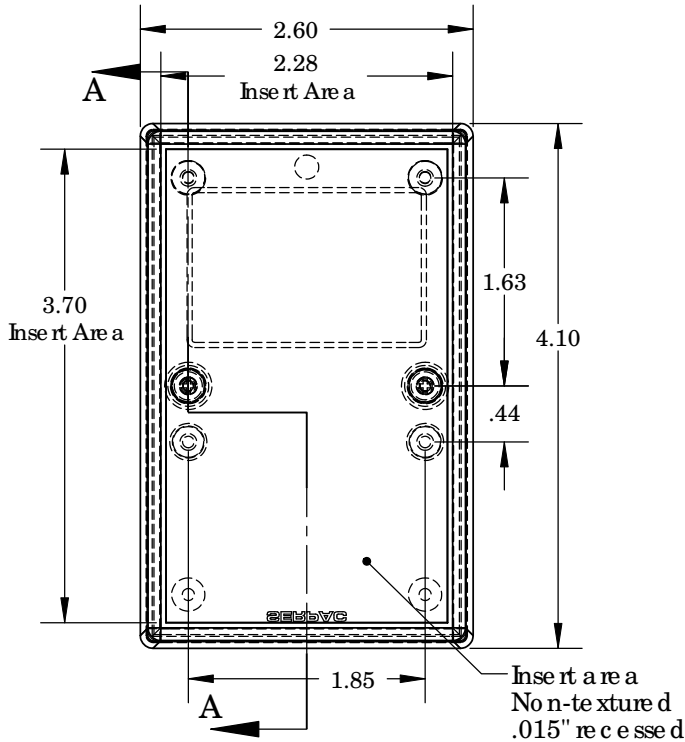
PART NO.	DESCRIPTION (Included)	ACCESSORIES (Optional)	
2-1-i	TOP	PART NO.	DESCRIPTION
12	BOTTOM	PS12	Perimeter Seal
6005	#4X3/8" Self tapping (2)	319	Prototype grid board (top)
		419	Prototype clad board (top)

Notes: (Enclosure weight 0.15 lb / 68 gm)  
 1) Enclosure meets or exceeds IP40 and NEMA 1  
 2) When used with PS12 the enclosure meets or exceeds IP 67 and NEMA 4X, 12 and 13 MIL-STD-810G 506.5  
 3) Circuit Board drawings can be download at:  
[http://www.serpac.com/Products/Accessories/CircuitBoard/drawings/CB\\_121.pdf](http://www.serpac.com/Products/Accessories/CircuitBoard/drawings/CB_121.pdf)  
 4) All components are RoHS Compliant.

**ALL DIMENSIONS ARE ±.010" 3/18/10 (1 of 2)**  
**619 Commercial Ave. Covina, CA 91723**  
**Ph. (626) 331-0517 Ex. (626) 331-8584 serpac.com**

# SERPAC 121i (user print)

Electronic Enclosures



PART NO.	DESCRIPTION (Included)	ACCESSORIES (Optional)	
2-1-i	TOP	PART NO.	DESCRIPTION
12	BOTTOM	PS12	Perimeter Seal
6005	#4X3/8" self tapping (2)	319	Prototype grid board (top)
		419	Prototype clad board (top)

- Notes: (Enclosure weight 0.15 lb / 68 gm)
- 1) Enclosure meets or exceeds IP40 and NEMA 1
  - 2) When used with PS12 the enclosure meets or exceeds IP 67 and NEMA 4X, 12 and 13 MIL-STD-810G 506.5
  - 3) Circuit Board drawings can be downloaded at: [http://www.serpac.com/Products/Accessories/CircuitBoard/drawings/CB\\_121.pdf](http://www.serpac.com/Products/Accessories/CircuitBoard/drawings/CB_121.pdf)
  - 4) All components are RoHS Compliant.

ALL DIMENSIONS ARE ± .010" 3/18/10 (2 of 2)  
 619 Commercial Ave. Covina, CA 91723  
 Ph. (626) 331-0517 Ex. (626) 331-8584 [www.serpac.com](http://www.serpac.com)