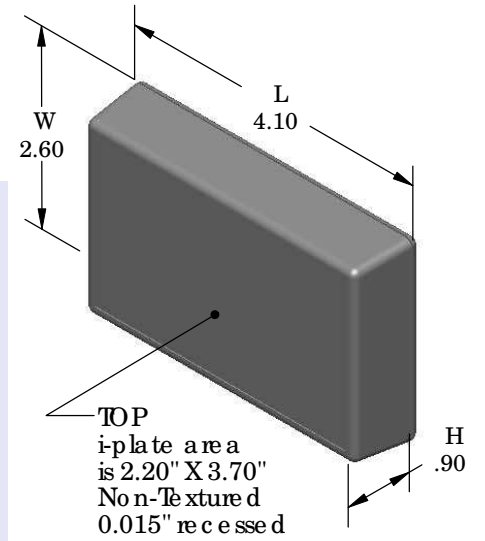
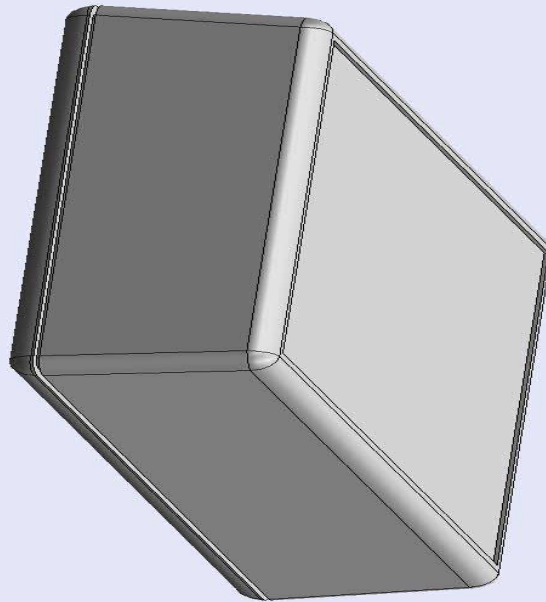


# SERPAC 021i (exploded isometric)

Electronic Enclosures

- Click on image to show toolbar. Use ▶|| to Play/Pause Animation.
- Left click and drag on image to move 3D model.



- a) Zoom in & out with center wheel.
- b) Pause at any moment to view and or print views.
- c) Change the views to ortho and section views if needed from the Views pull down menu.
- d) Explore options included in the tool bar like: Views, Transparency of model, Lighting type, etc.

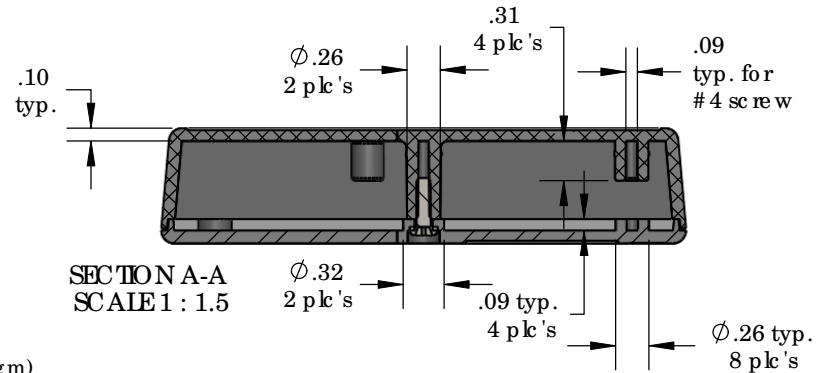
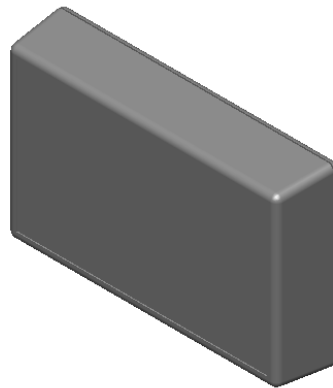
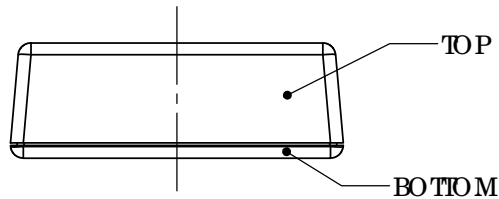
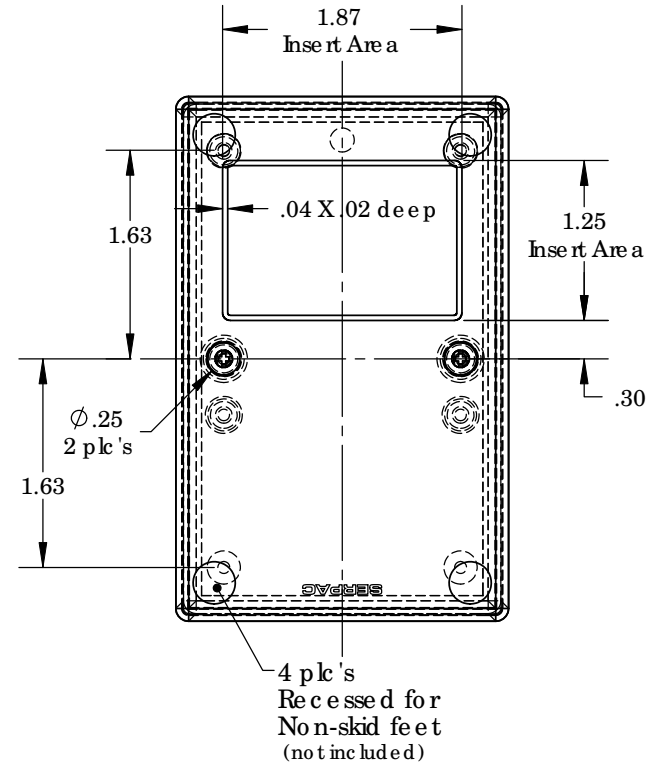
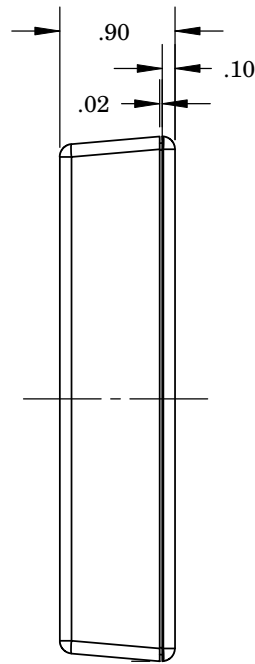
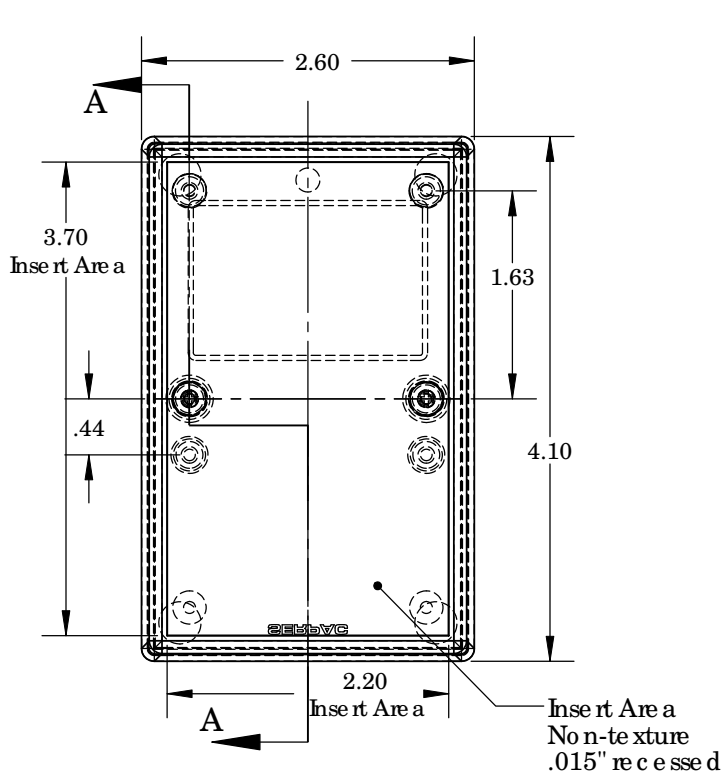
PART NO.	DESCRIPTION (Included)	ACCESSORIES (Optional)	
PART NO.	DESCRIPTION	PART NO.	DESCRIPTION
2-1-i	TOP	52	Non-skid feet
02	BOTTOM	319	Prototype grid board (Top)
6005	#4X3/8" Self tapping (2)	419	Prototype clad board (Top)

- Notes: (Enclosure weight 0.12 lb / 55 gm)
- 1) Enclosure meets or exceeds IP40 and NEMA 1
  - 2) Circuit Board drawings can be downloaded at:  
[http://www.serpac.com/Products/Accessories/CircuitBoard/drawings/CB\\_021.pdf](http://www.serpac.com/Products/Accessories/CircuitBoard/drawings/CB_021.pdf)
  - 3) All components are RoHS Compliant.

**ALL DIMENSIONS ARE ±.010" 3/15/10 (1 of 2)**  
**619 Commercial Ave. Covina, CA 91723**  
**Ph. (626) 331-0517 Ex. (626) 331-8584 serpac.com**

# SERPAC 021i (user print)

Electronic Enclosures



PART NO.	DESCRIPTION (Included)	ACCESSORIES (Optional)	
2-1-i	TOP	PART NO.	DESCRIPTION
02	BOTTOM	52	Non-skid feet
6005	#4X3/8" self tapping (2)	319	Prototype grid board (Top)
		419	Prototype clad board (Top)

Notes: (Enclosure weight 0.12 lb / 55 gm)

1) Enclosure meets or exceeds IP40 and NEMA 1

2) Circuit Board drawings can be downloaded at:

[http://www.serpac.com/Products/Accessories/CircuitBoard/drawings/CB\\_021.pdf](http://www.serpac.com/Products/Accessories/CircuitBoard/drawings/CB_021.pdf)

3) All components are RoHS Compliant.

ALL DIMENSIONS ARE ±.010" 3/15/10 (2 of 2)  
619 Commercial Ave. Covina, CA 91723

Ph. (626) 331-0517 Ex. (626) 331-8584 [www.serpac.com](http://www.serpac.com)