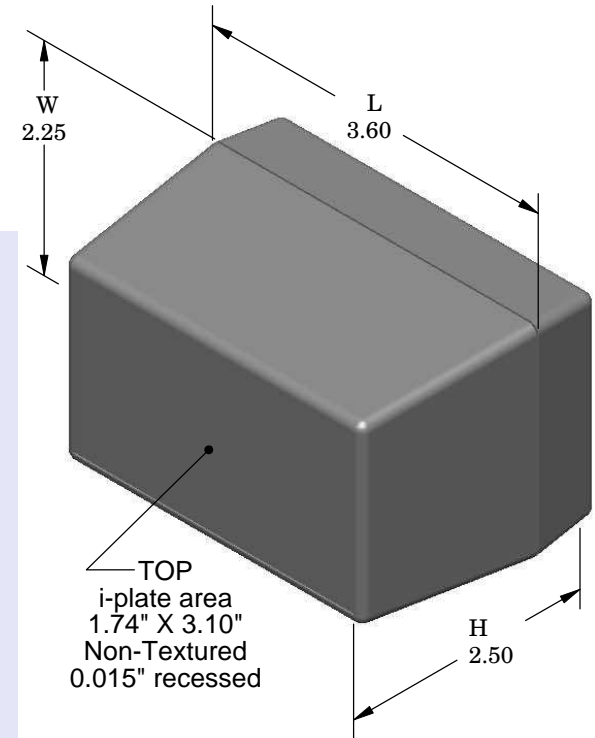
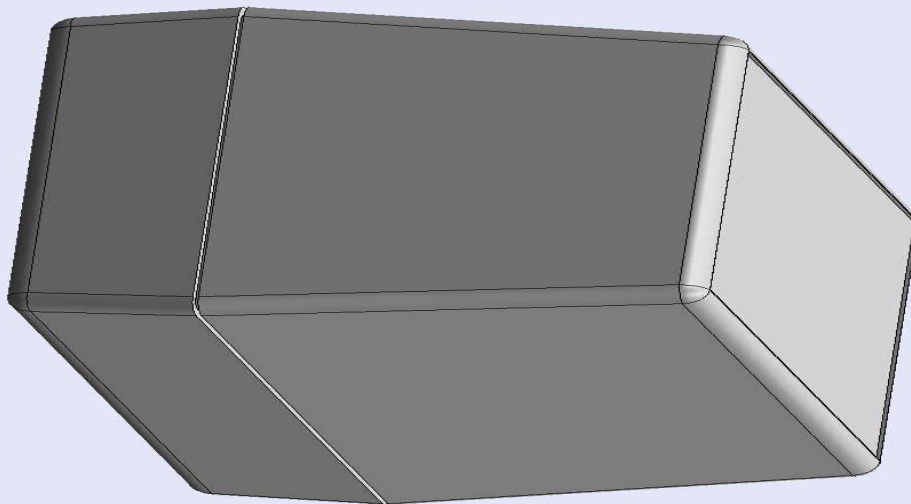


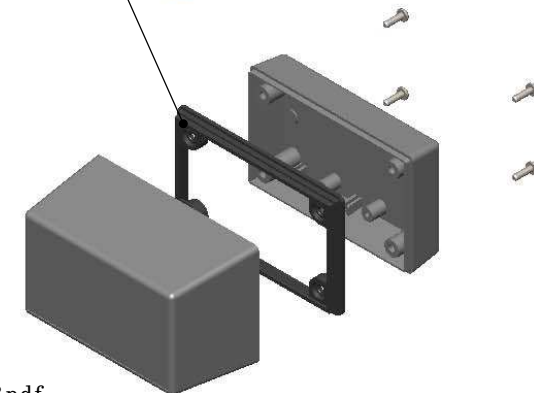
# SERPAC 113i (exploded isometric)

Electronic Enclosures

- Click on image to show toolbar. Use ▶ || to Play/Pause Animation.
- Left click and drag on image to move 3D model.



Waterproofing gasket  
PS11 optional  
see note #2



- a) Zoom in & out with center wheel.
- b) Pause at any moment to view and or print views.
- c) Change the views to ortho and section views if needed from the Views pull down menu.
- d) Explore options included in the tool bar like: Views, Transparency of model, Lighting type, etc.

| PART NO. | DESCRIPTION (Included)   | ACCESSORIES (Optional) |                      |
|----------|--------------------------|------------------------|----------------------|
| 1-3-i    | TOP                      | PART NO.               | DESCRIPTION          |
| 11       | BOTTOM                   | 50                     | Non-skid Feet        |
| 6005     | #4X3/8" Self tapping (4) | PS11                   | Perimeter Seal       |
|          |                          | 310                    | Prototype grid board |
|          |                          | 410                    | Prototype clad board |

Notes: Enclosure weight .17 lbs/ 76 gm

- 1) Enclosure meets or exceeds IP40 and NEMA 1
- 2) When used with PS11 the enclosure meets or exceeds IP 67 and NEMA 4X, 12 and 13 MIL-STD-810G 506.5
- 3) Circuit Board drawings can be download at:

Top:

[http://www.serpac.com/Accessories/CircuitBoard/drawings/X13\\_CB.pdf](http://www.serpac.com/Accessories/CircuitBoard/drawings/X13_CB.pdf)

Bottom:

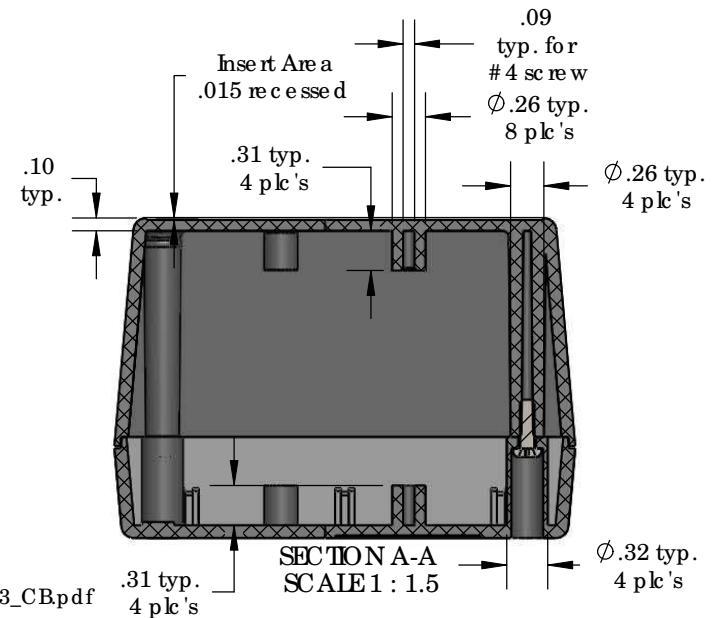
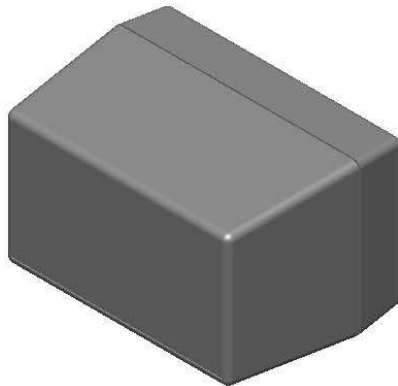
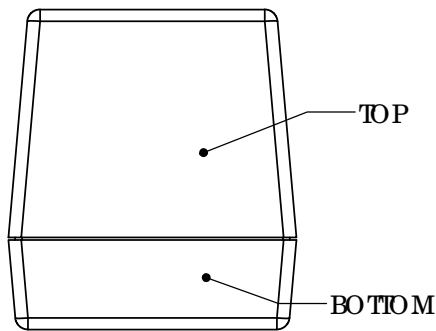
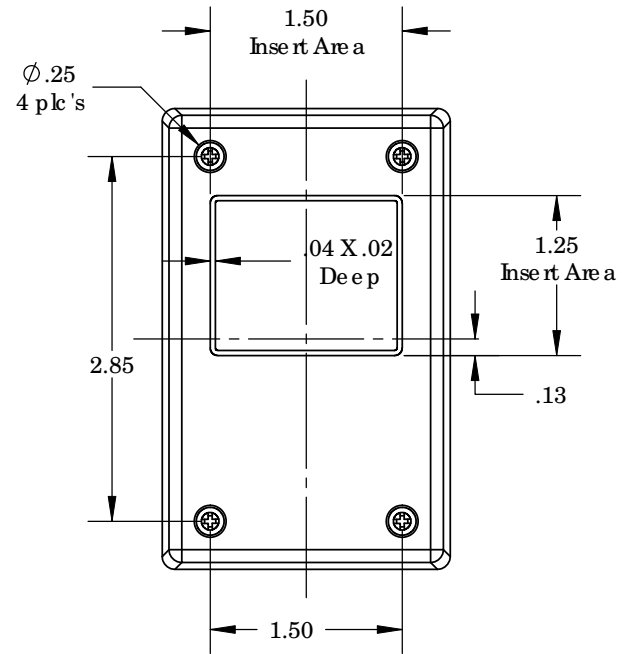
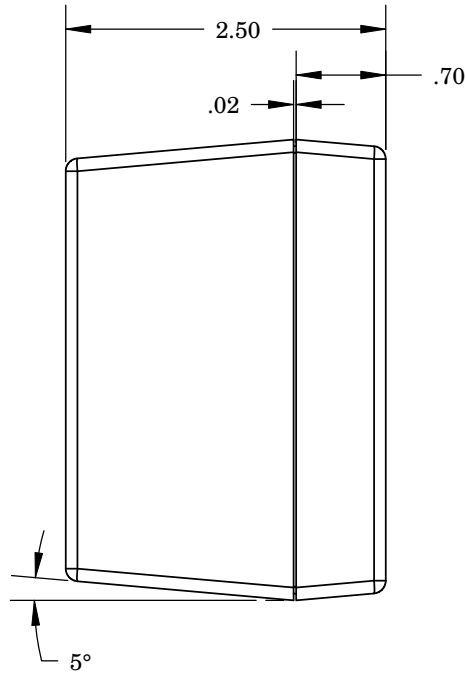
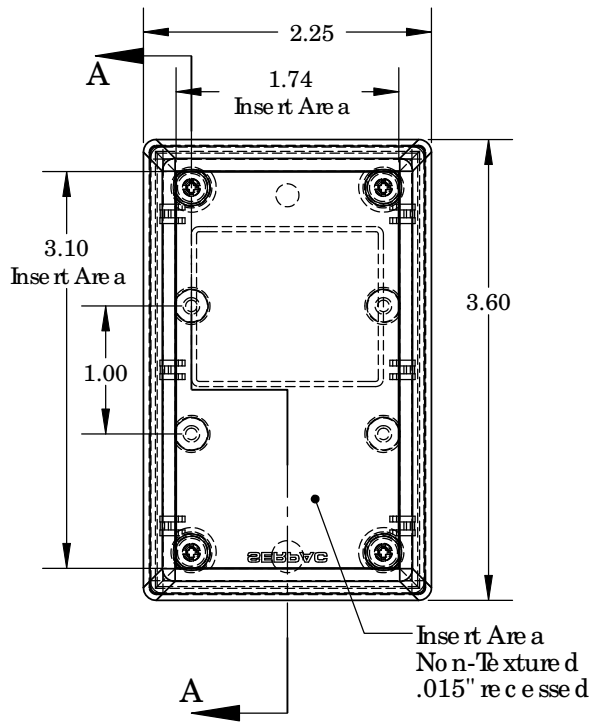
<http://www.serpac.com/Accessories/CircuitBoard/drawings/310-410.pdf>

- 4) All components are RoHS Compliant.

ALL DIMENSIONS ARE ± .010" 3/18/10 (1 of 2)  
619 Commercial Ave. Covina, CA 91723  
Ph. (626) 331-0517 Ex. (626) 331-8584 [serpac.com](http://serpac.com)

# SERPAC 113i (user print)

Electronic Enclosures



- Notes: Enclosure weight .17 lbs/ 76 gm
- 1) Enclosure meets or exceeds IP40 and NEMA 1
  - 2) When used with PS11 the enclosure meets or exceeds IP 67 and NEMA 4X, 12 and 13 MIL-STD-810G 506.5
  - 3) Circuit Board drawings can be downloaded at:  
 Top: [http://www.sempac.com/Accessories/CircuitBoard/drawings/X13\\_CB.pdf](http://www.sempac.com/Accessories/CircuitBoard/drawings/X13_CB.pdf)  
 Bottom: <http://www.sempac.com/Accessories/CircuitBoard/drawings/310-410.pdf>
  - 4) All components are RoHS Compliant.

| PART NO. | DESCRIPTION (Included)   | ACCESSORIES (Optional) |                      |
|----------|--------------------------|------------------------|----------------------|
| 1-3-i    | TOP                      | PART NO.               | DESCRIPTION          |
| 11       | BOTTOM                   | 50                     | Non-skid Feet        |
| 6005     | #4X3/8" self tapping (4) | PS11                   | Perimeter Seal       |
|          |                          | 310                    | Prototype grid board |
|          |                          | 410                    | Prototype clad board |

ALL DIMENSIONS ARE  $\pm .010"$  3/18/10 (2 of 2)  
 619 Commercial Ave. Covina, CA 91723  
 Ph. (626) 331-0517 Ex. (626) 331-8584 [www.sempac.com](http://www.sempac.com)