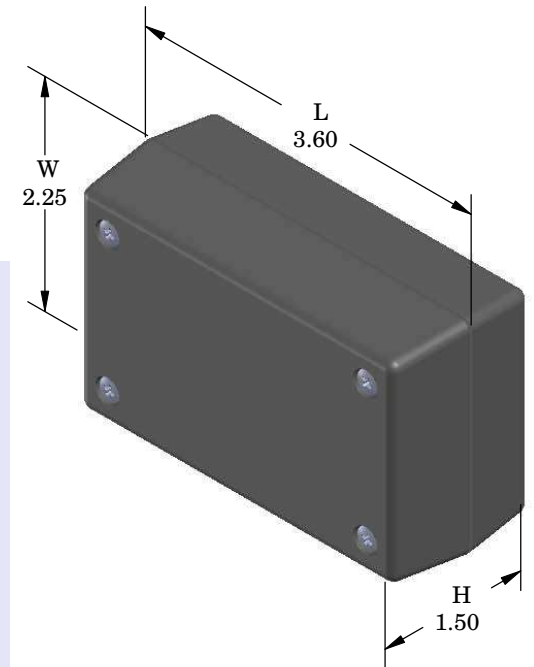
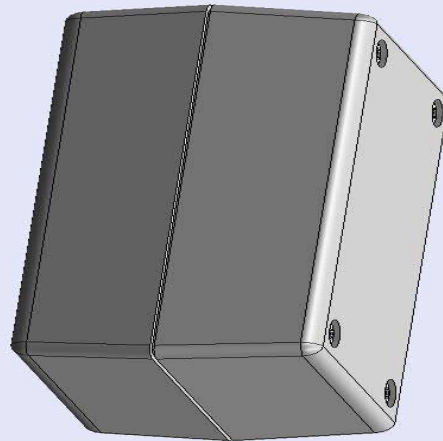


SERPAC111R (3D exploded)

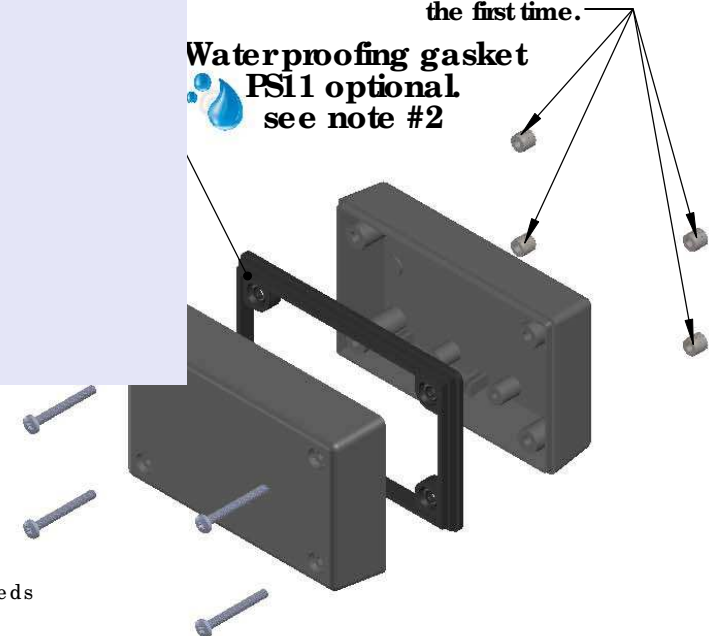
Electronic Enclosures

- Click on image to show toolbar. Use ▶ || to Play/Pause Animation.
- Left click and drag on image to move 3D model.



Threaded inserts only have to be assembled the first time.

Waterproofing gasket
 PS11 optional
 see note #2



- a) Zoom in & out with center wheel.
- b) Pause at any moment to view and or print views.
- c) Change the views to ortho and section views if needed from the Views pull down menu.
- d) Explore options included in the tool bar like: Views, Transparency of model, Lighting type, etc.

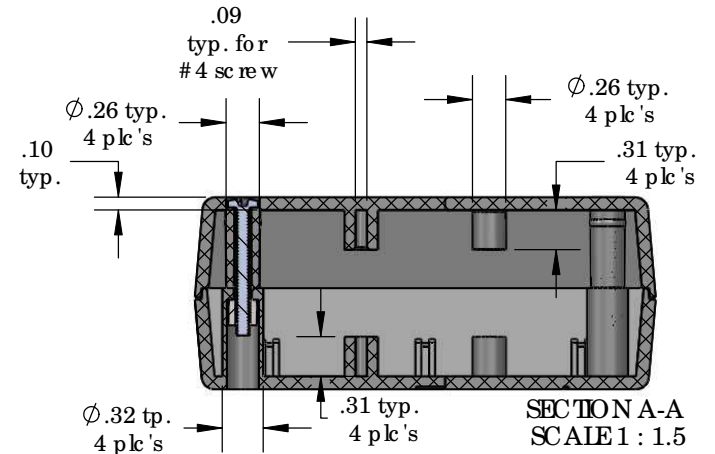
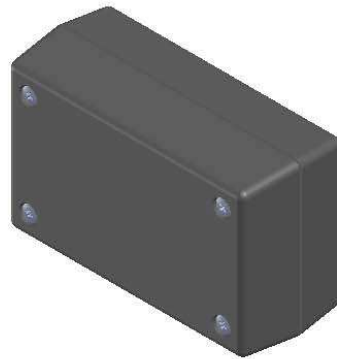
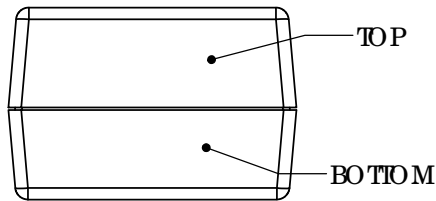
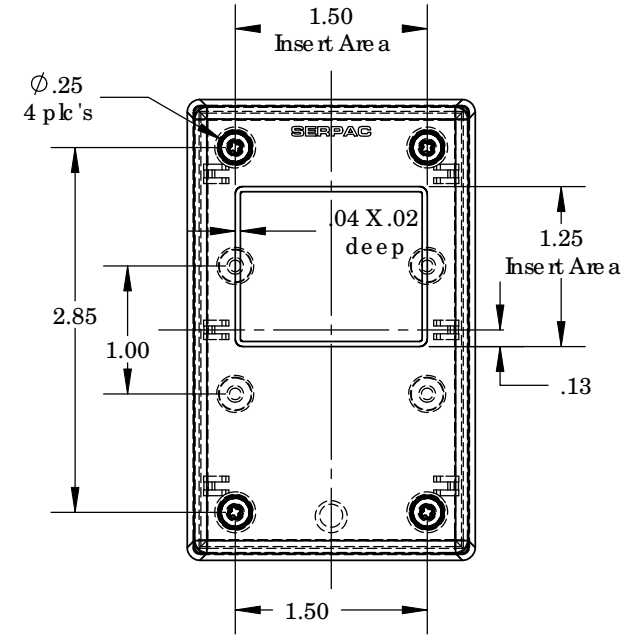
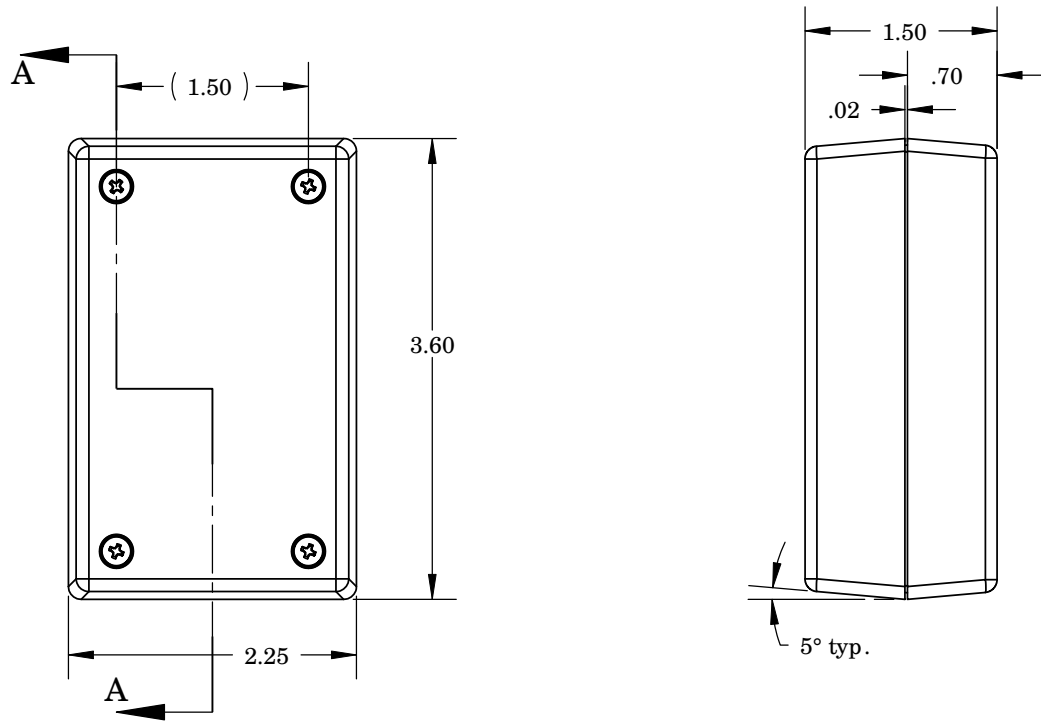
| PART NO. | DESCRIPTION (Included) | ACCESSORIES (Optional) | |
|----------|------------------------|------------------------|----------------------|
| 1-1R | TOP | PART NO. | DESCRIPTION |
| 11 | BOTTOM | 50 | Non-skid Feet |
| 6017 | 4-40 SCREW (4) | PS11 | Perimeter Seal |
| 6102 | THREADED INSERTS (4) | 310 | Prototype grid board |
| | | 410 | Prototype clad board |

Notes: Enclosure weight .14 lbs/ 65 gm
 1) Enclosure meets or exceeds IP40 and NEMA 1
 2) When used with PS11 the enclosure meets or exceeds IP 67 and NEMA 4X, 12 and 13 MIL-STD-810G 506.5
 3) Circuit Board drawings can be downloaded at:
<http://www.serpac.com/Accessories/CircuitBoard/drawings/310-410.pdf>
 4) All components are RoHS Compliant.

ALL DIMENSIONS ARE ±.010" 7/27/10 (1 of 2)
 2009 Wright Ave. La Verne, CA 91750
 Ph. (626) 331-0517 Ex. (626) 331-8584 serpac.com

SERPAC 111R (user print)

Electronic Enclosures



| PART NO. | DESCRIPTION (Included) | ACCESSORIES (Optional) | |
|----------|------------------------|------------------------|----------------------|
| 1-1R | TOP | PART NO. | DESCRIPTION |
| 11 | BOTTOM | 50 | Non-skid Feet |
| 6017 | 4-40 SCREW (4) | PS11 | Perimeter Seal |
| 6102 | THREADED INSERTS (4) | 310 | Prototype grid board |
| | | 410 | Prototype clad board |

Notes: Enclosure weight .14 lbs / 65 gm
 1) Enclosure meets or exceeds IP40 and NEMA 1
 2) When used with PS11 the enclosure meets or exceeds IP 67 and NEMA 4X, 12 and 13 MIL-SID-810G 506.5
 3) Circuit Board drawings can be downloaded at:
<http://www.serpac.com/Accessories/CircuitBoard/drawings/310-410.pdf>
 4) All components are RoHS Compliant.

ALL DIMENSIONS ARE ±.010" 7/27/10 (2 of 2)
 2009 Wright Ave. La Verne, CA 91750
 Ph. (626) 331-0517 Ex. (626) 331-8584 www.serpac.com