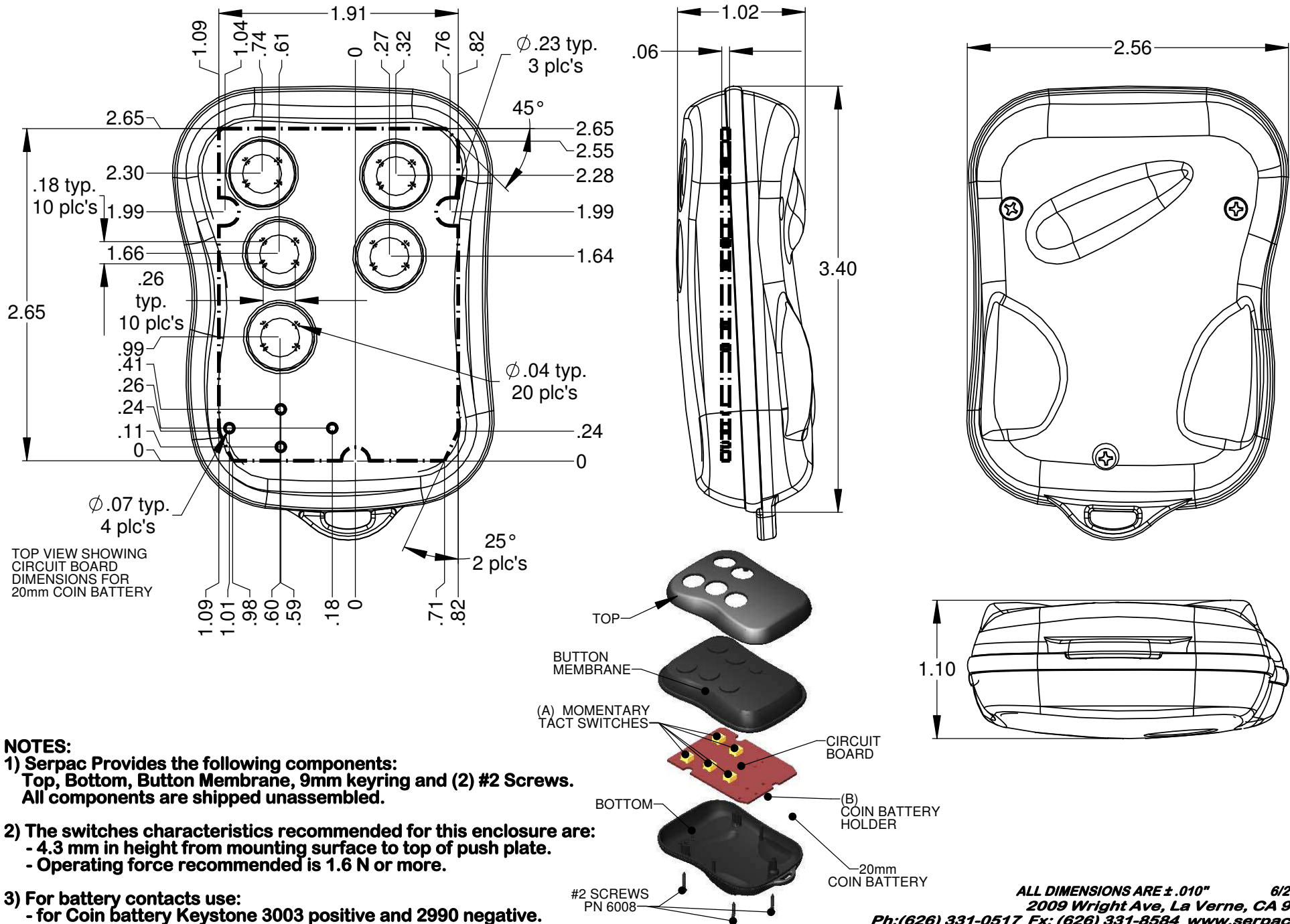


SERPAC CA 10B5 (5 button option)

Electronic Enclosures



NOTES:

1) Serpac Provides the following components:
 Top, Bottom, Button Membrane, 9mm keyring and (2) #2 Screws.
 All components are shipped unassembled.

2) The switches characteristics recommended for this enclosure are:
 - 4.3 mm in height from mounting surface to top of push plate.
 - Operating force recommended is 1.6 N or more.

3) For battery contacts use:
 - for Coin battery Keystone 3003 positive and 2990 negative.

