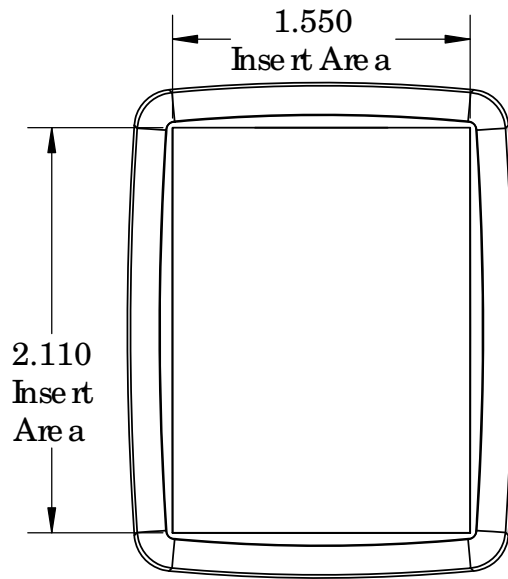
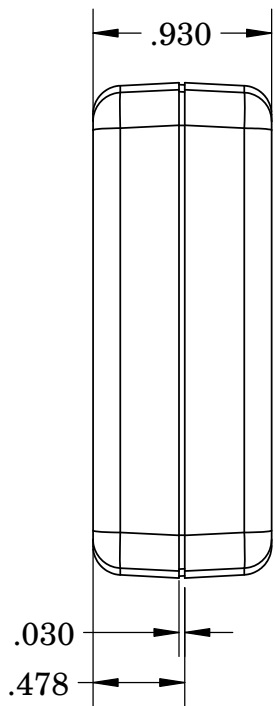


SERPAC CH8

Electronic Enclosures

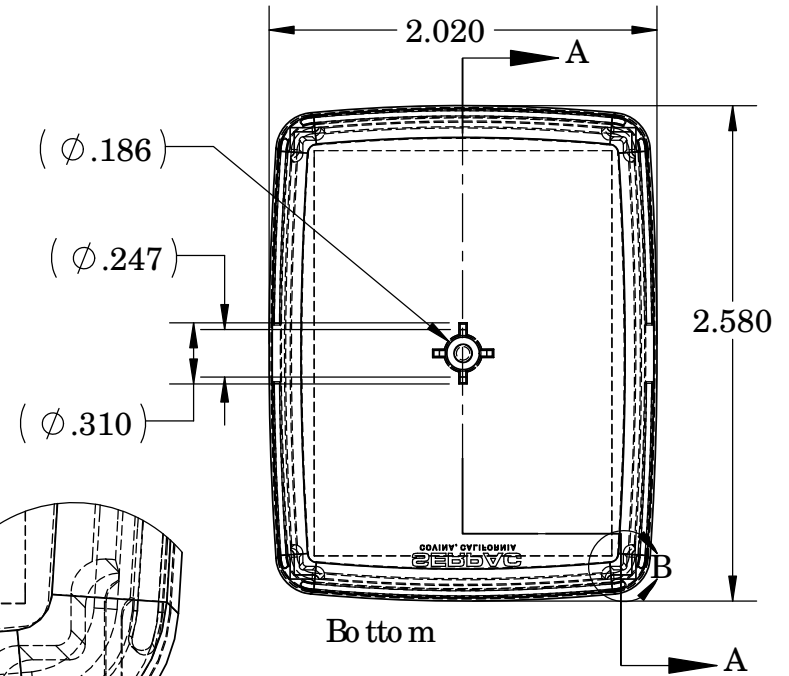
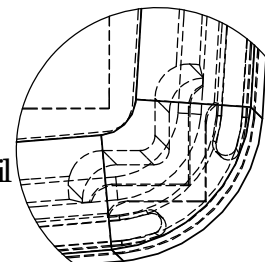
NOTES:

1) When machine or I-plates modifications are required, use the center of the enclosure to dimension.

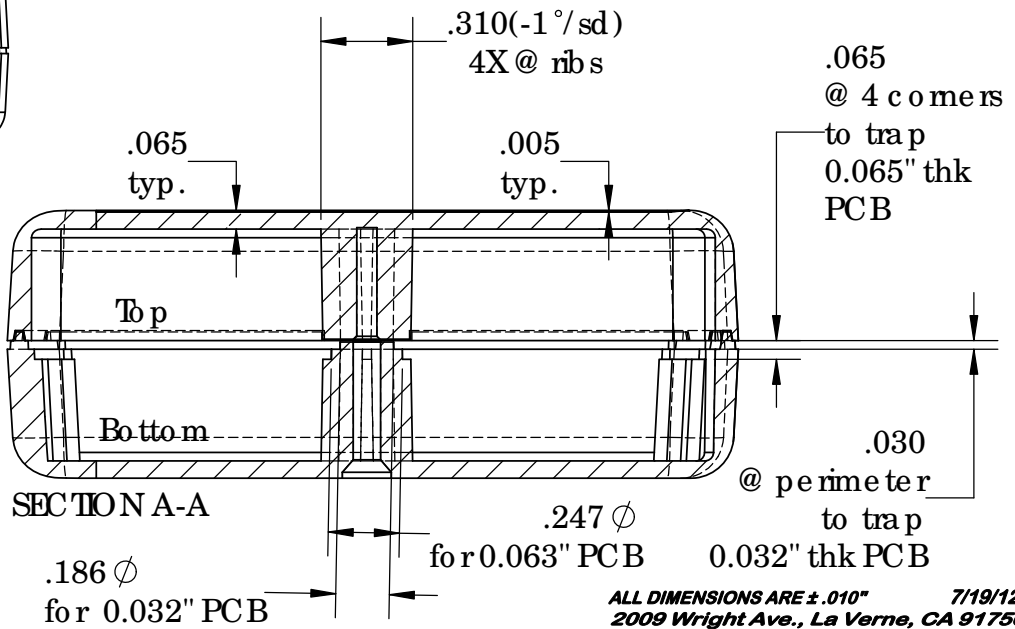
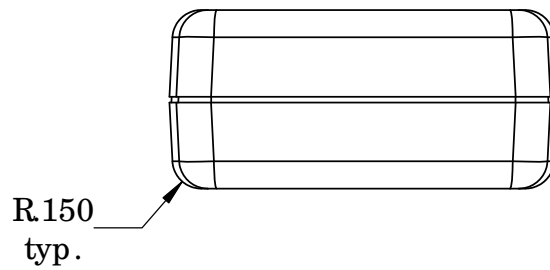


Top

DETAIL B
corner detail



Bottom



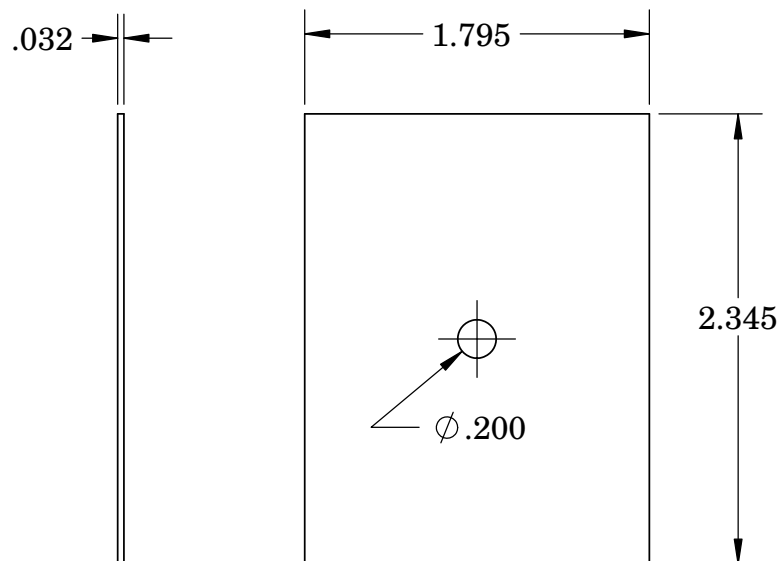
SECTION A-A

Enclosure can hold either a 0.032" PCB or a 0.063 PCB
 PCB dimensions are: (PCB drawings on page 2)
 0.032" [.8mm] PCB 2.345" X 1.795" (0.20 center hole)
 0.063" [1.6mm] PCB 2.30" X 1.75" (0.26 center hole)

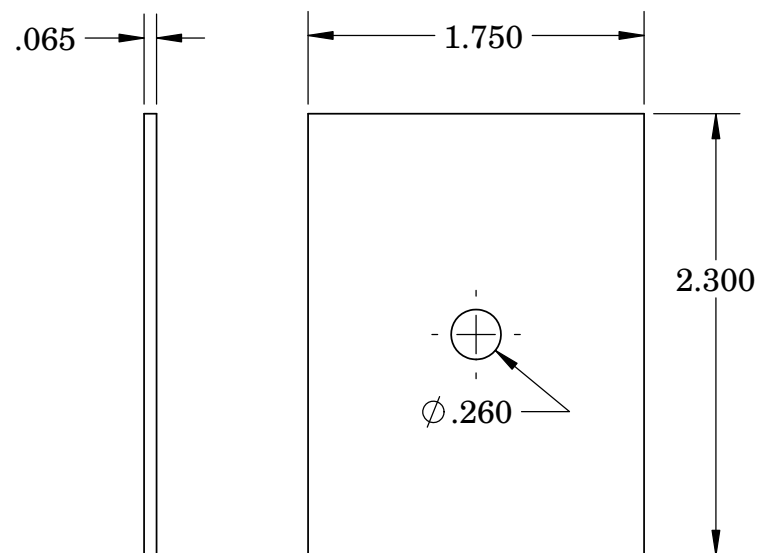
PART NO.	DESCRIPTION	ACCESSORIES	
		PART NO.	DESCRIPTION
1105	CH8 TOP	55	KEY HOLDER
1106	CH8 BOTTOM		
6007	SCREW 2x3/4" PHILFLAT H/L (1)		

SERPAC CIRCUIT BOARD CH8

Electronic Enclosures



.032 board



.065 board

NOTES:
These are suggested dimensions.
Plastic parts have a ± 0.010 " manufacturing tolerance.