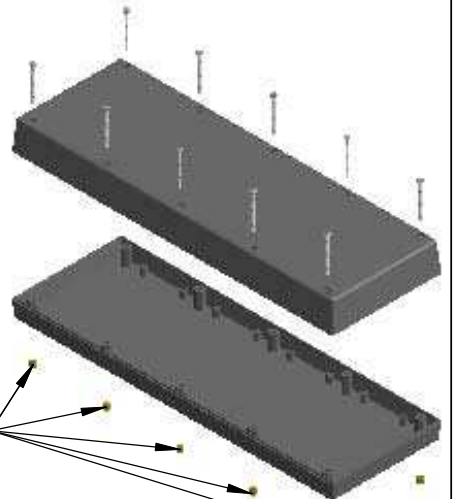
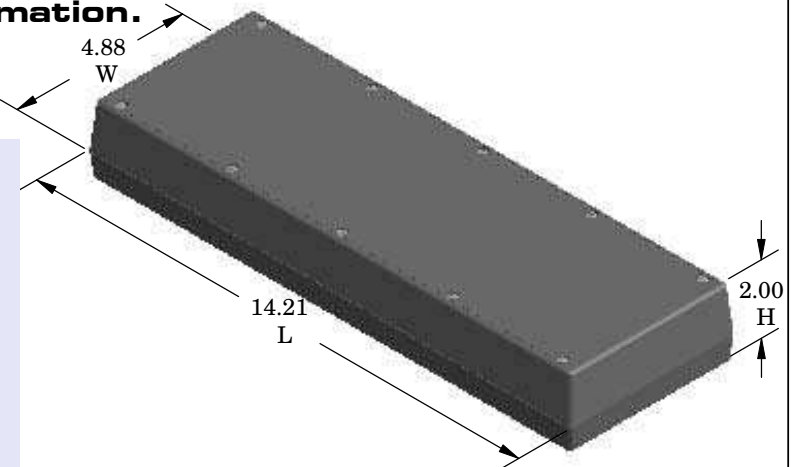
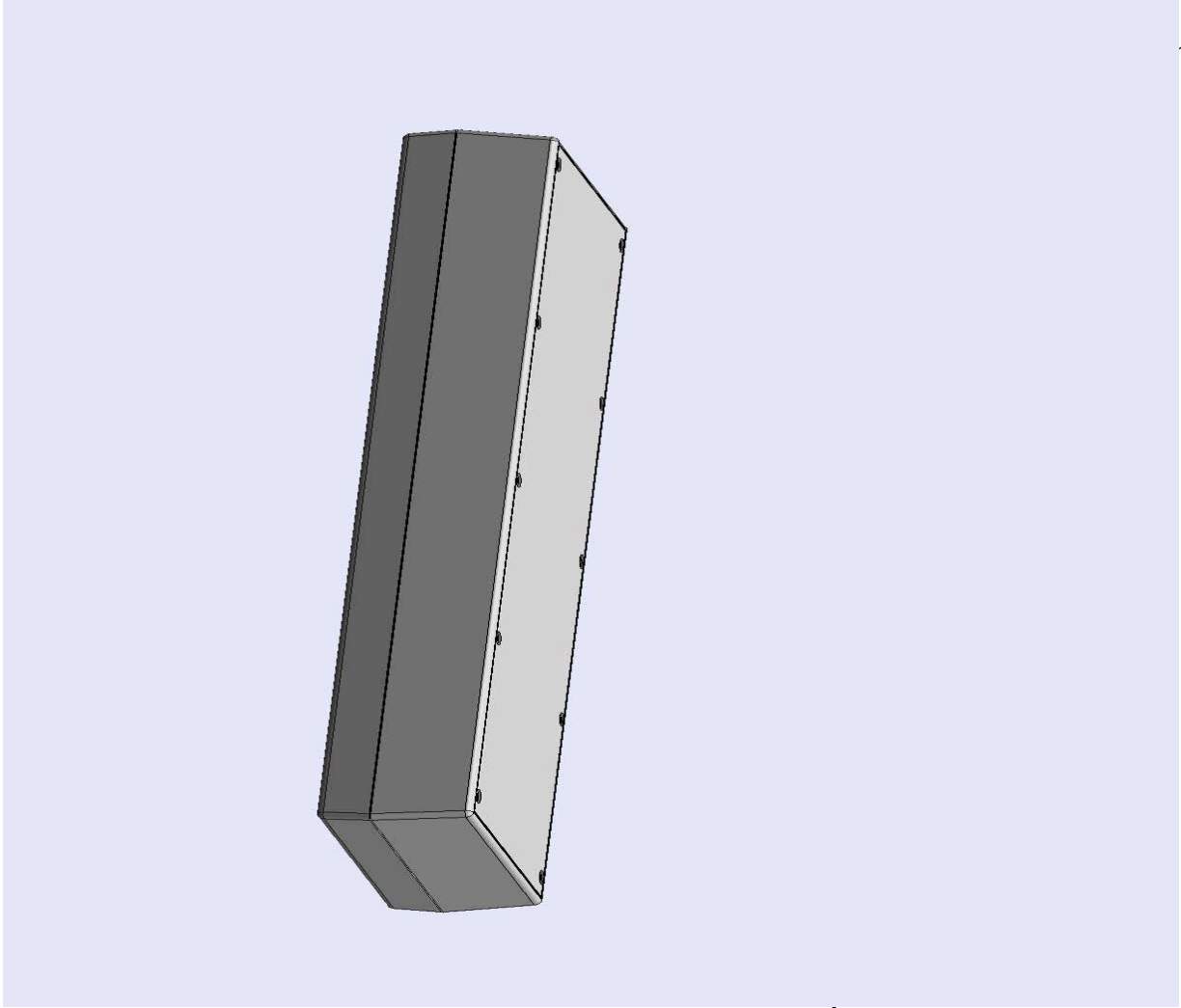


SERPAC 182R (3D exploded)

Electronic Enclosures

-Click on image to show toolbar. Use  to Play/Pause Animation.
 -Left click and drag on image to move 3D model.



Threaded inserts only have to be assembled the first time.

- a) Zoom in & out with center wheel.
- b) Pause at any moment to view and or print views.
- c) Change the views to ortho and section views if needed from the Views pull down menu.
- d) Explore options included in the tool bar like: Views, Transparency of model, Lighting type, etc.

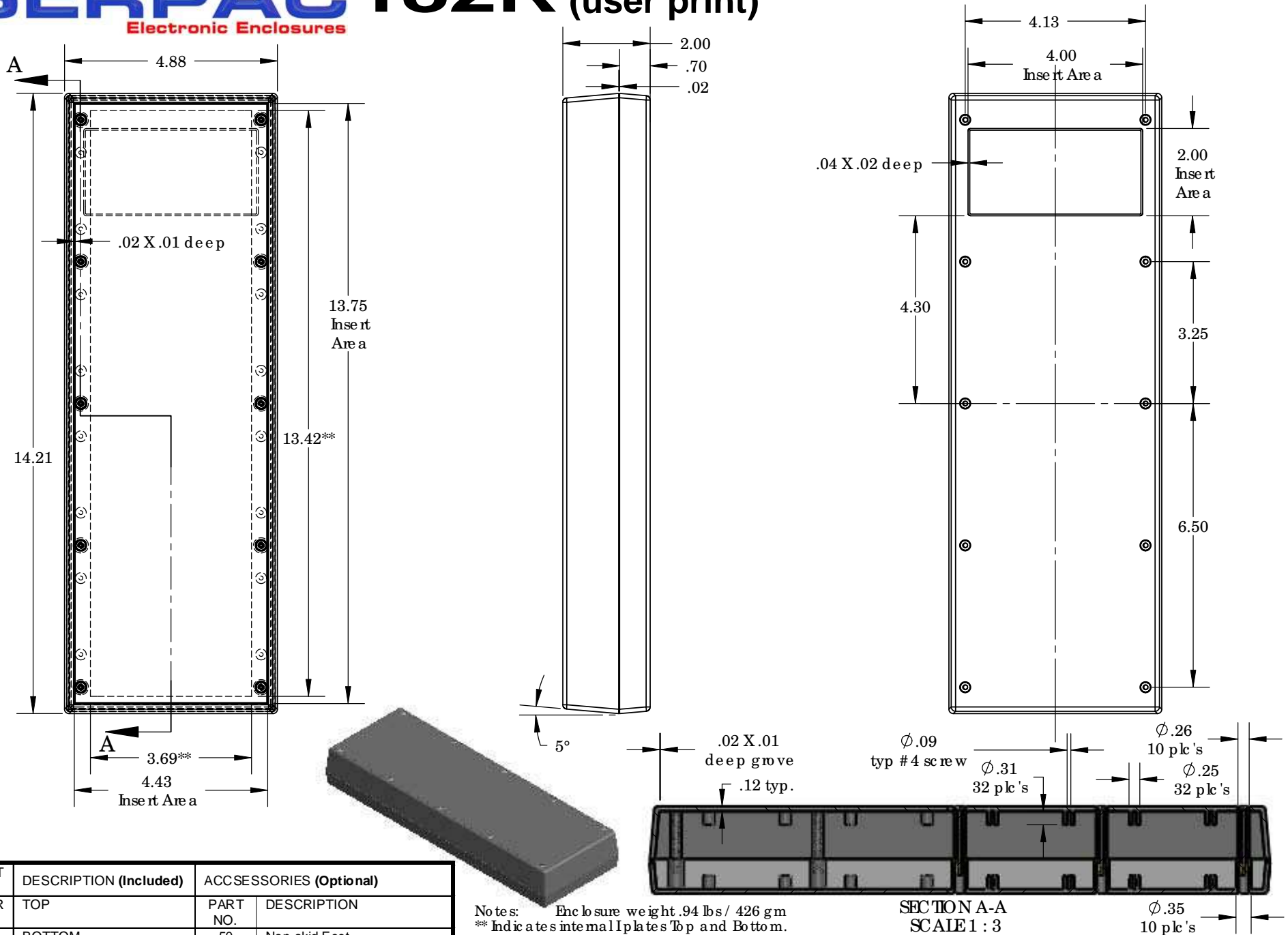
Notes: Enclosure weight .94 lbs / 426 gm
 1) Enclosure meets or exceeds IP40 and NEMA 1
 2) Circuit Board drawings can be download at:
http://www.serpac.com/Products/Series/x9x/drawings/18X_CB.pdf
 3) All components are RoHS compliant.

PART NO.	DESCRIPTION (Included)	ACCESSORIES (Optional)	
8-2R	TOP	PART NO.	DESCRIPTION
18	BOTTOM	50	Non-skid Feet
6019	4-40 SCREW (10)		
6102	THREADED INSERT (10)		

ALL DIMENSIONS ARE ±.010" 8/19/10 (1 of 2)
 2009 Wright Ave. La Verne, CA 91750
 Ph. (626) 331-0517 Ex. (626) 331-8584 serpac.com

SERPAC 182R (user print)

Electronic Enclosures



PART NO.	DESCRIPTION (Included)	ACCESSORIES (Optional)	
8-2R	TOP	PART NO.	DESCRIPTION
18	BOTTOM	50	Non-skid Feet
6019	4-40 screw (10)		
6102	THREADED INSERT (10)		

Notes: Enclosure weight .94 lbs / 426 gm
 ** Indicates internal plates Top and Bottom.
 1) Enclosure meets or exceeds IP40 and NEMA 1
 2) Circuit Board drawings can be downloaded at:
http://www.sempac.com/Products/Series/x9x/drawings/18X_CB.pdf
 3) All components are RoHS Compliant.

SECTION A-A
 SCALE 1 : 3

ALL DIMENSIONS ARE $\pm .010"$ 8/19/10 (2 of 2)
 2009 Wright Ave. La Verne, CA 91750
 Ph. (626) 331-0517 Ex. (626) 331-8584 www.sempac.com