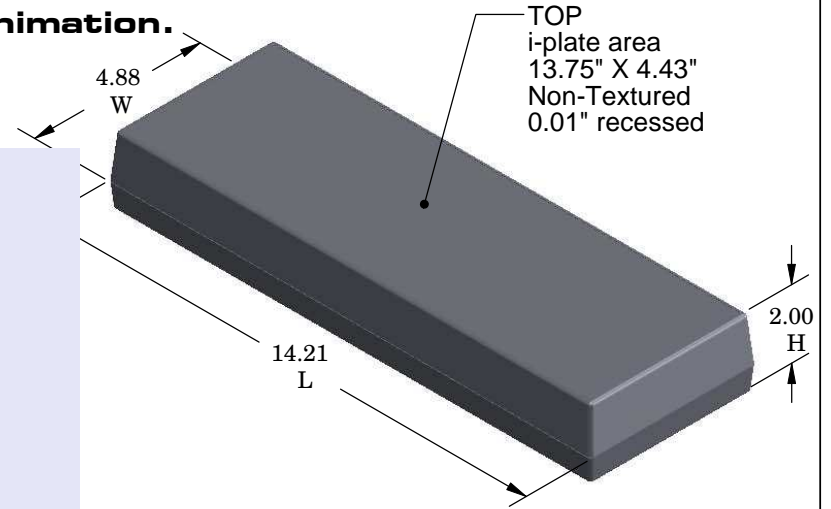
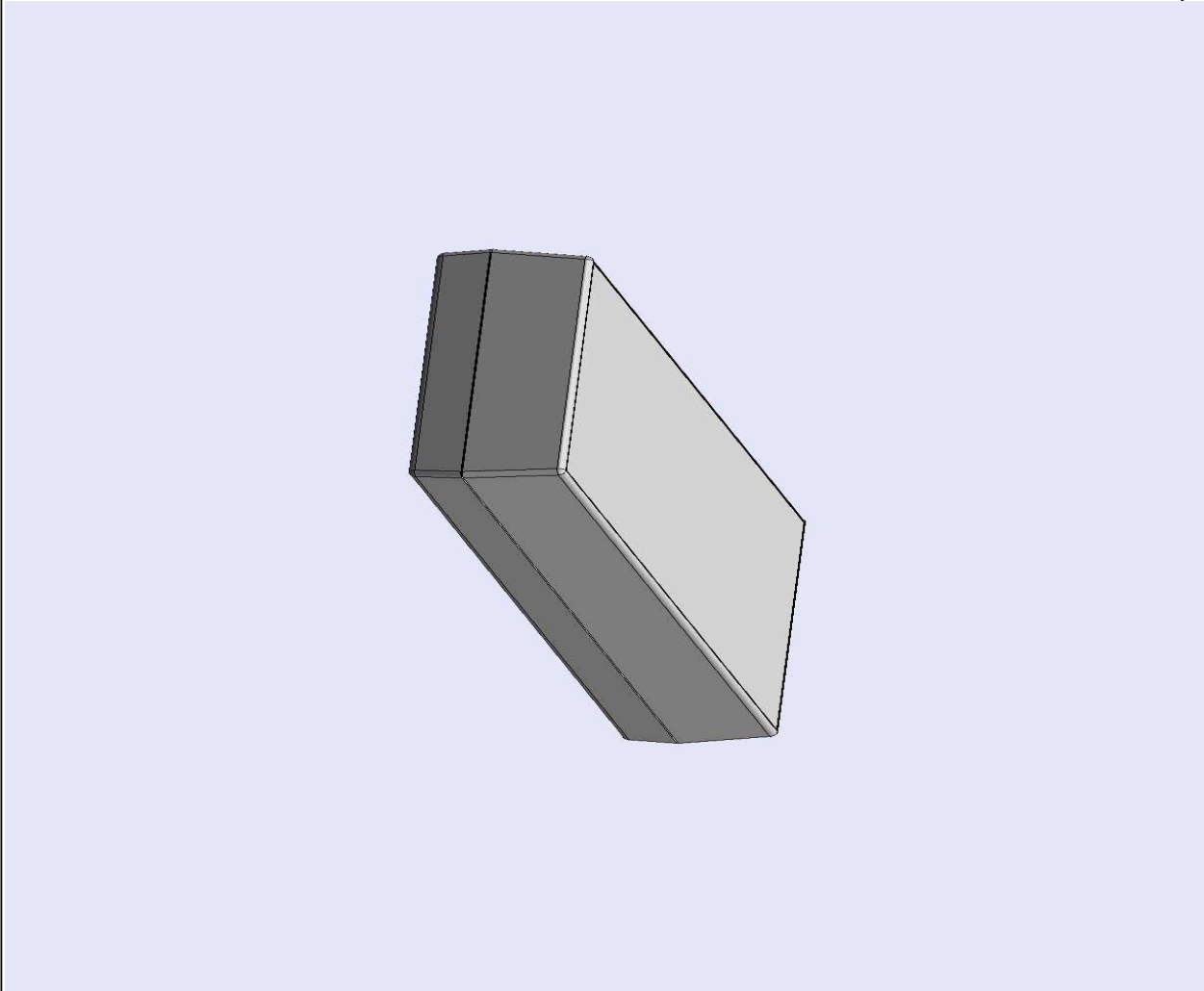


SERPAC 182i (exploded isometric)

Electronic Enclosures

- Click on image to show toolbar. Use ▶|| to Play/Pause Animation.
- Left click and drag on image to move 3D model.



- a) Zoom in & out with center wheel.
- b) Pause at any moment to view and or print views.
- c) Change the views to ortho and section views if needed from the Views pull down menu.
- d) Explore options included in the tool bar like: Views, Transparency of model, Lighting type, etc.

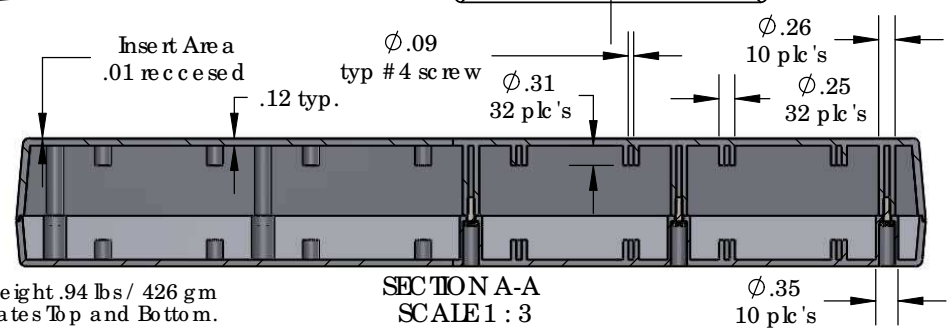
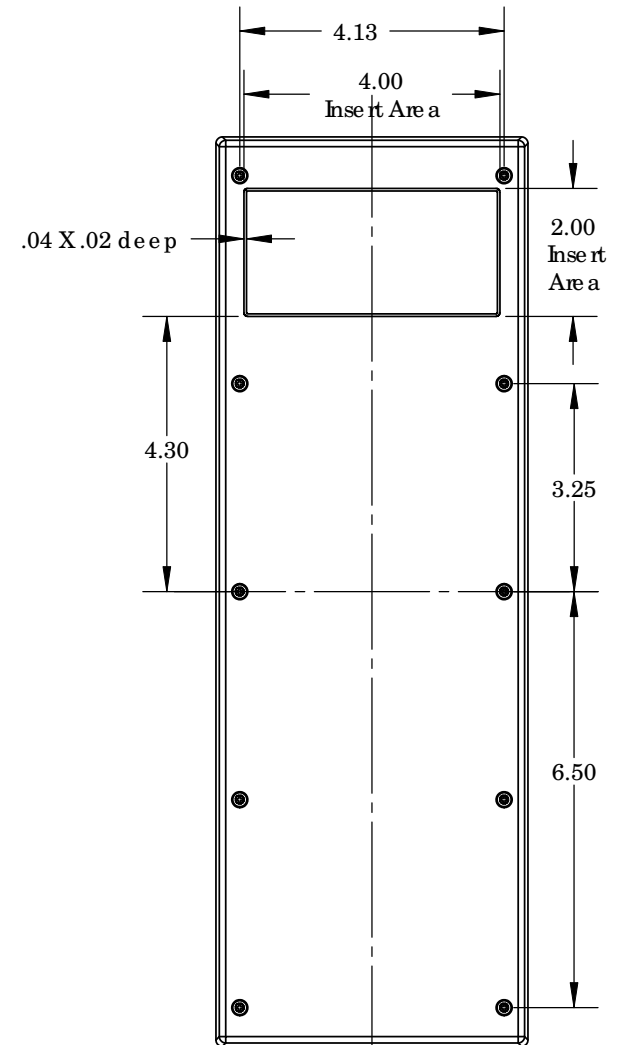
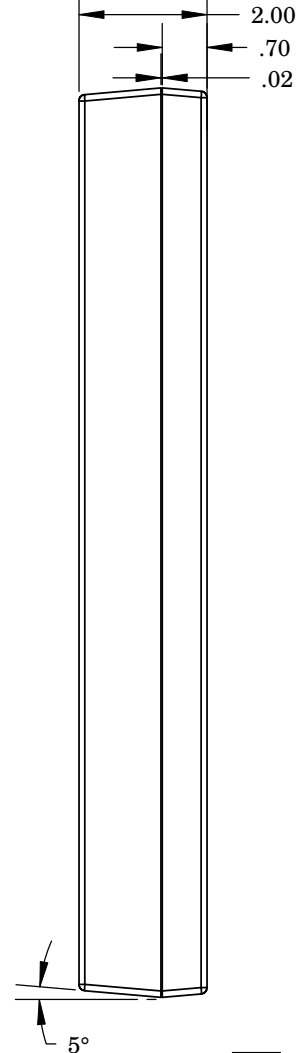
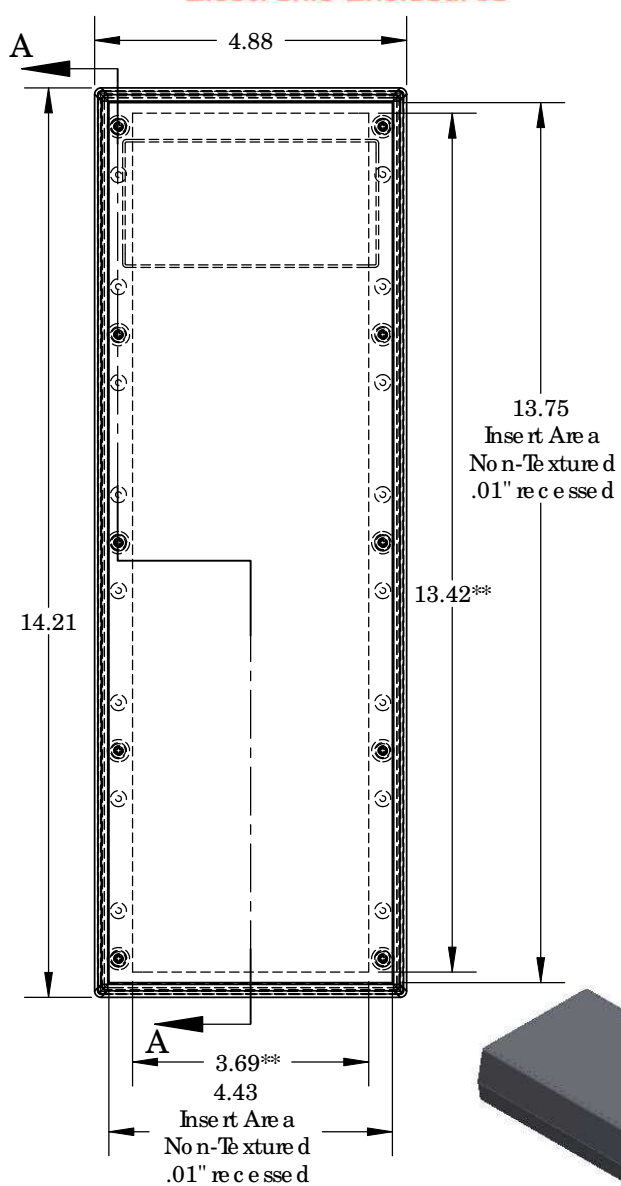
Notes: Enclosure weight .94 lbs / 426 gm
 *** Indicates internal plates Top and Bottom.
 1) Enclosure meets or exceeds IP40 and NEMA 1
 2) Circuit Board drawings can be download at:
http://www.serpac.com/Products/Sseries/x9x/drawings/18X_CB.pdf
 3) All components are RoHS Compliant.

PART NO.	DESCRIPTION (Included)	ACCESSORIES (Optional)	
8-2i	TOP	PART NO.	DESCRIPTION
18	BOTTOM	50	Non-skid Feet
6005	#4X3/8" Self tapping (10)		

ALL DIMENSIONS ARE ±.010" 7/22/10 (1 of 2)
 619 Commercial Ave. Covina, CA 91723
 Ph. (626) 331-0517 Ex. (626) 331-8584 serpac.com

SERPAC 182i (user print)

Electronic Enclosures



SECTION A-A
SCALE 1 : 3

PART NO.	DESCRIPTION (Included)	ACCESSORIES (Optional)	PART NO.	DESCRIPTION
8-2i	TOP		50	Non-skid Feet
18	BOTTOM			
6005	#4X3/8" Self tapping (10)			

Notes: Enclosure weight .94 lbs / 426 gm
 ** Indicates internal plates Top and Bottom.
 1) Enclosure meets or exceeds IP40 and NEMA 1
 2) Circuit Board drawings can be downloaded at:
http://www.sempac.com/Products/Series/x9x/drawings/18X_CB.pdf
 3) All components are RoHS Compliant.

ALL DIMENSIONS ARE $\pm .010"$ 7/22/10 (2 of 2)
 619 Commercial Ave. Covina, CA 91723
 Ph. (626) 331-0517 Ex. (626) 331-8584 www.sempac.com