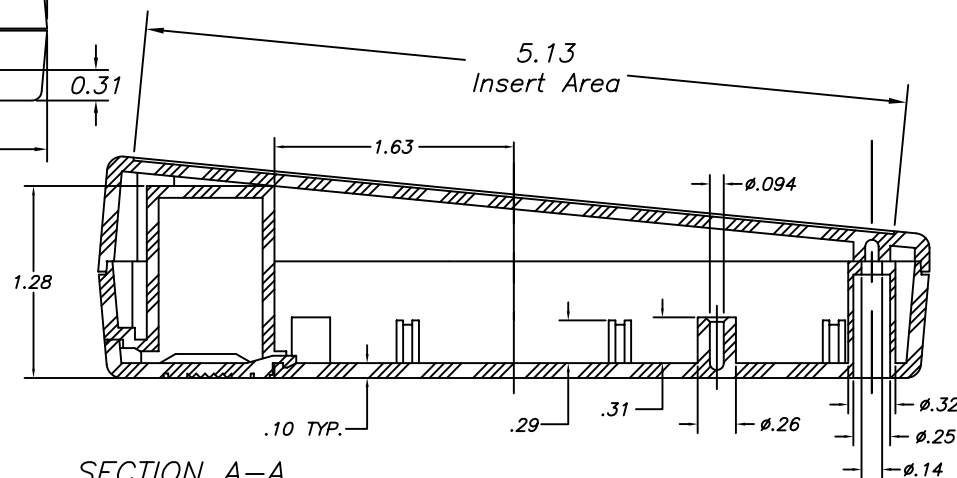
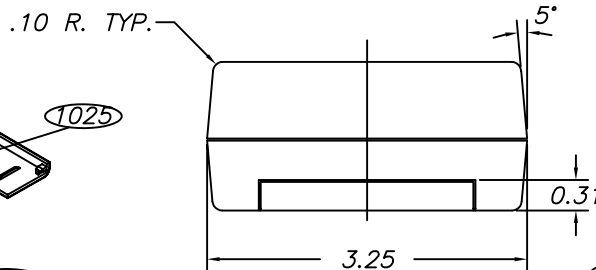
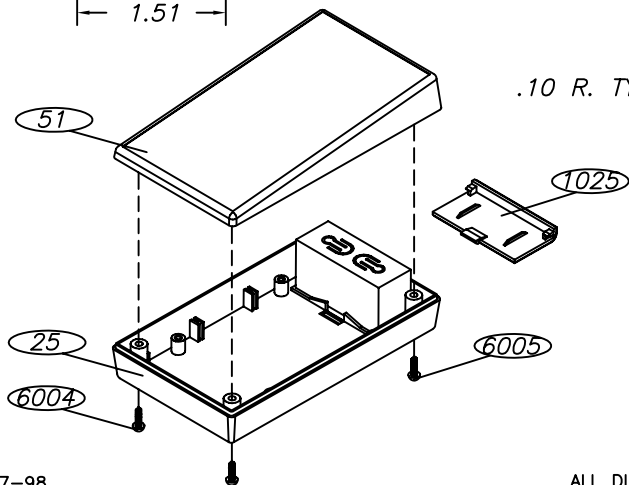
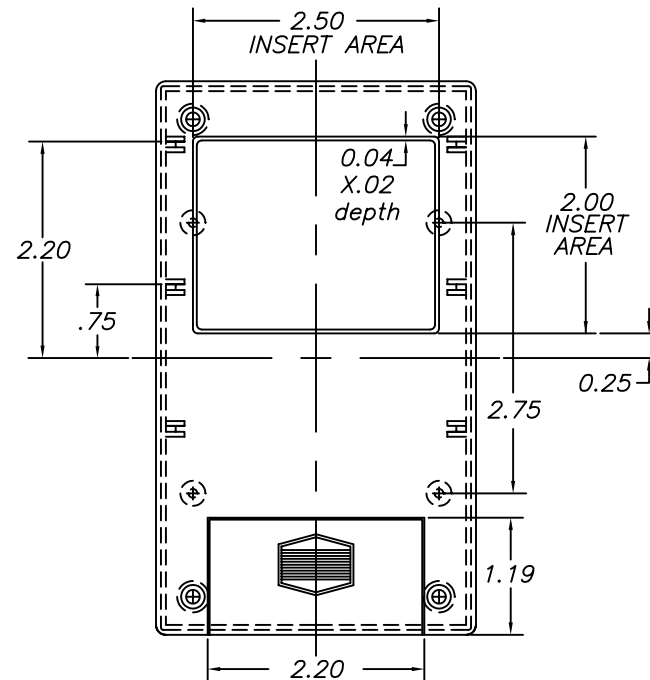
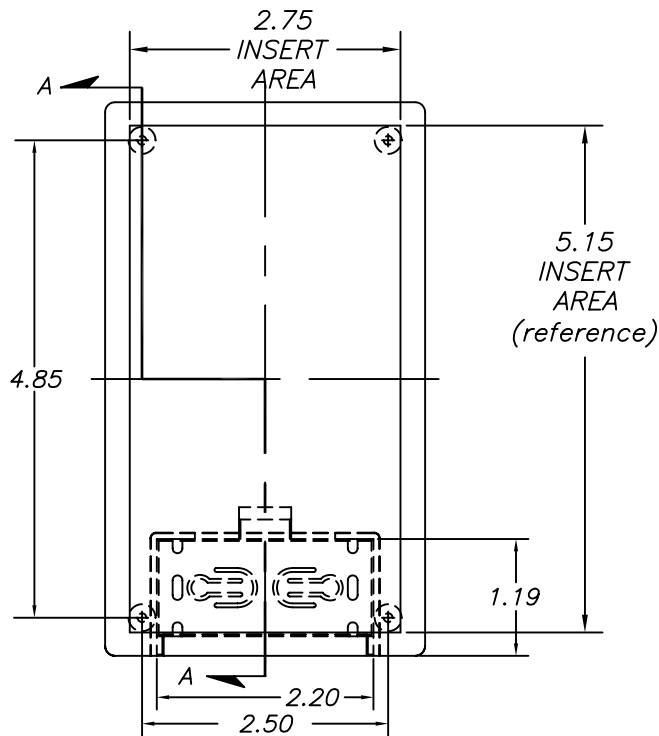
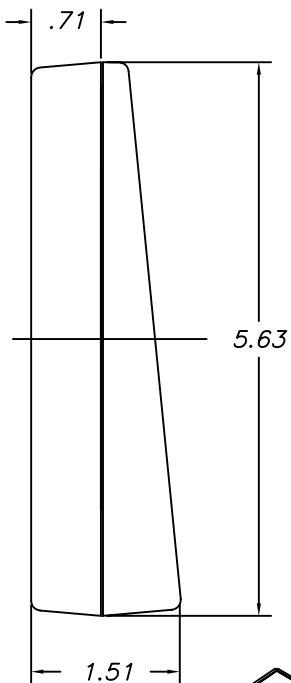


# SERPAC 25-S

Electronics Enclosures

NOTES:

1. WHEN MACHINE OR I PLATES MODIFICATIONS ARE REQUIRED, USE THE CENTER OF THE ENCLOSURE TO DIMENSION.



10-27-98

ALL DIMENSIONS ± .010

PART NO.	DESCRIPTION	PART NO.	DESCRIPTION
5S	PLASTIC TOP	50	FEET
25	PLASTIC BOTTOM	359	PROTOTYPE GRID BOARD (HORIZ.)
1025	PLASTIC BATTERY COVER	459	PROTOTYPE CLAD BOARD (HORIZ.)
6004	SCREWS (2)	351	PROTOTYPE GRID BOARD (VERT.)
6005	SCREWS (2)	451	PROTOTYPE CLAD BOARD (VERT.)
		PC	POCKET CLIP

619 Commercial Ave. Covina, CA 91723

(626) 331-0517 Fax (626) 331-8584 <http://www.serpac.com>