
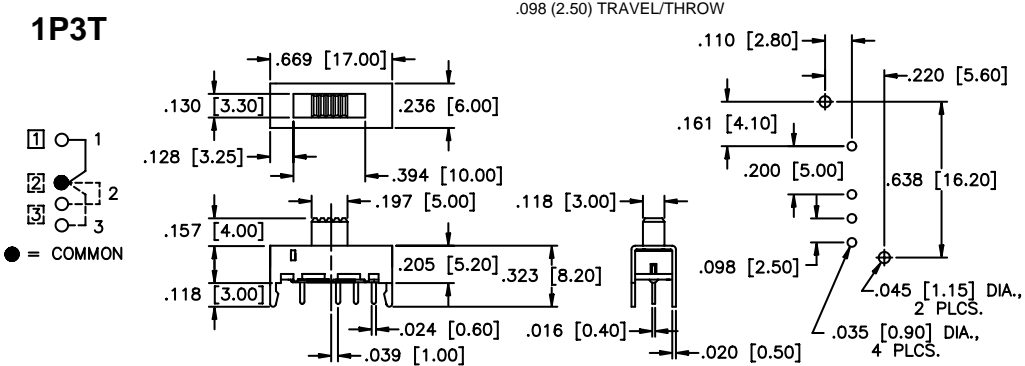



# MSTS Series

## Miniature Slide Switches

SPECIFICATIONS SUBJECT TO CHANGE WITHOUT NOTICE

SPECIFICATIONS	FEATURES
<b>Contact rating:</b> 300 mA at 28 VDC <b>Initial contact resistance:</b> 20 milliohms max. <b>Insulation resistance:</b> 100 megohms min. at 500 VDC <b>Dielectric strength:</b> 500 VAC for 1 minute <b>Electrical life:</b> 10,000 cycles min. <b>Operating temperature range:</b> -20°C to +85°C <b>Solder heat resistance:</b> 250°C max. for 5 seconds <b>Actuation force:</b> 200-600 grams <b>Solvent washing permissible</b>	<ul style="list-style-type: none"> <li>• <b>Miniature compact size.</b></li> <li>• <b>Wash-through open frame construction.</b></li> <li>• <b>Snap-in p.c. mounting bracket design.</b></li> <li>• <b>Positive spring loaded ball detent mechanism.</b></li> <li>• <b>Epoxy sealed terminals.</b></li> <li>• <b>Gold plated contacts available - consult factory.</b></li> </ul>
	MATERIALS
	<b>Contacts &amp; terminals:</b> Silver plated brass <b>Housing:</b> Zinc plated steel <b>Actuator:</b> Polyacetal, color black <b>Base:</b> Phenolic laminated sheet <span style="float: right;"><b>Terminal seal:</b> Epoxy</span>

MODEL NO.			
<b>MSTS1332K</b>			
 <p>VERTICAL ACTUATOR</p>	<b>1P3T</b>	.098 (2.50) TRAVEL/THROW	
MODEL NO.			
<b>MSTS2332K</b>			
 <p>VERTICAL ACTUATOR</p>	<b>2P3T</b>	.098 (2.50) TRAVEL/THROW	