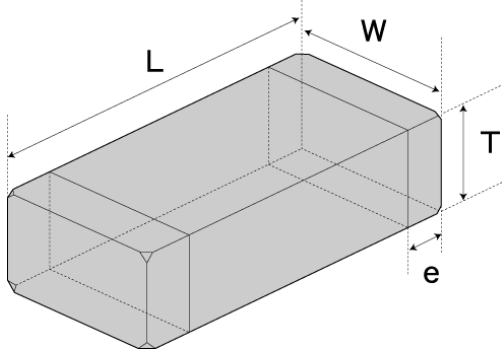


Spec Sheet

Wire-wound Chip Inductors for Industrial / Automotive Comfort and Safety Applications (CB series)

CBC3225T100KRV



■ Features

- Item Summary
10 μ H(\pm 10%), 900mA, 900mA, 1210
- Lifecycle Stage
Mass Production
- AEC-Q200 qualified
- Standard packaging quantity (minimum)
Taping 1000pcs

■ Products characteristics table

CaseSize (EIA/JIS)	1210/3225
Inductance	10 μ H(\pm 10%)
Inductance Measuring Frequency	0.1MHz
Rated Current -Saturation Current	900mA
Rated Current -Temperature Rise Current	900mA
DC Resistance (max)	0.1729 Ω
Avg. of DC.Resistance	0.133 Ω
Temperature Range	-40°C to 105°C
Self-resonant Frequency (min)	23MHz
RoHS Compliance	Yes
Halogen Free	Yes
Soldering Method	Reflow

■ External Dimensions

L	3.2mm \pm 0.2
W	2.5mm \pm 0.2
H	2.5mm \pm 0.2

2014.03.05

The data is reference only. Electrical characteristics vary depending on environment or measurement condition.
TAIYO YUDEN reserves the right to make change to the Date at any time without notice.
Before making final selection, please check product specification.