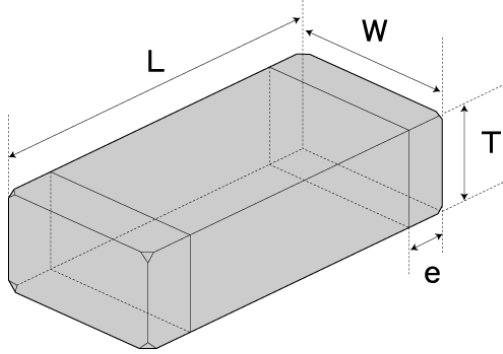


## Wire-wound Chip Power Inductors (CB series)

## CBC3225T470MR



## ■ Features

- Item Summary  
47  $\mu$ H( $\pm$ 20%), 390mA, 480mA, 1210
- Lifecycle Stage  
Mass Production
- Standard packaging quantity (minimum)  
Taping 1000pcs

## ■ Products characteristics table

CaseSize (EIA/JIS)	1210/3225
Inductance	47 $\mu$ H( $\pm$ 20%)
Inductance Measuring Frequency	0.1MHz
Rated Current -Saturation Current	390mA
Rated Current -Temperature Rise Current	480mA
DC Resistance (max)	0.871 $\Omega$
Avg. of DC.Resistance	0.67 $\Omega$
Temperature Range	-40°C to 105°C
Self-resonant Frequency (min)	10MHz
RoHS Compliance	Yes
Halogen Free	Yes
Soldering Method	Reflow

## ■ External Dimensions

L	3.2mm $\pm$ 0.2
W	2.5mm $\pm$ 0.2
H	2.5mm $\pm$ 0.2

2014.03.05

The data is reference only. Electrical characteristics vary depending on environment or measurement condition.  
 TAIYO YUDEN reserves the right to make change to the Date at any time without notice.  
 Before making final selection, please check product specification.