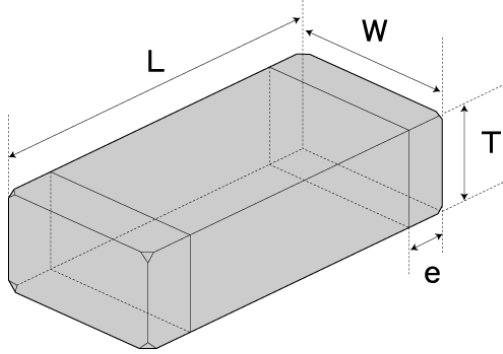


Wire-wound Chip Power Inductors (CB series)

CB2016T101K



■ Features

- Item Summary
100 μ H(\pm 10%), 70mA, 170mA, 0806
- Lifecycle Stage
Mass Production
- Standard packaging quantity (minimum)
Taping 2000pcs

■ Products characteristics table

| | |
|---|-------------------------|
| CaseSize (EIA/JIS) | 0806/2016 |
| Inductance | 100 μ H(\pm 10%) |
| Inductance Measuring Frequency | 0.796MHz |
| Rated Current -Saturation Current | 70mA |
| Rated Current -Temperature Rise Current | 170mA |
| DC Resistance (max) | 5.85 Ω |
| Avg. of DC.Resistance | 4.5 Ω |
| Temperature Range | -40°C to 105°C |
| Self-resonant Frequency (min) | 8MHz |
| RoHS Compliance | Yes |
| Halogen Free | Yes |
| Soldering Method | Reflow |

■ External Dimensions

| | |
|---|-----------------|
| L | 2mm \pm 0.2 |
| W | 1.6mm \pm 0.2 |
| H | 1.6mm \pm 0.2 |

2014.03.05

The data is reference only. Electrical characteristics vary depending on environment or measurement condition.
 TAIYO YUDEN reserves the right to make change to the Date at any time without notice.
 Before making final selection, please check product specification.