



CMR – Crazy Mid-night Relay

CMR-120-1000L
 CMR-240-1000L
 CMR-277-1000L

CMR-120-1000H
 CMR-240-1000H
 CMR-277-1000H

The ILLUMRA™ CMR works with any Dawn/Dusk sensor to reduce energy consumption 50% by shedding loads during the second half of every night.

Selectively install one per pole or fixture to shut off lights not needed for maintaining safety lighting levels. Auto-synchronizes to existing dawn/dusk sensors and adapts to changing seasons.

Limits peak demand inrush through sequenced start-up.

Applications:

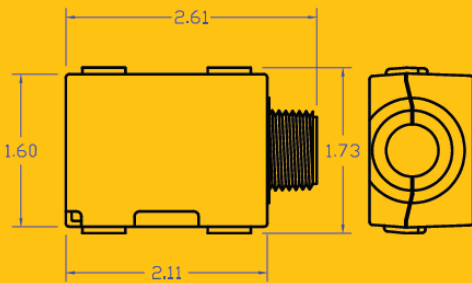
- Parking lots
- Parking garages
- Street lights
- Landscape Lighting
- Lights controlled by Dawn/dusk sensor

Compatible loads:

- Metal-halide
- Sodium-vapor
- Induction
- Fluorescent
- LED

Installation locations:

- Luminaires
- Junction boxes
- Wiring cavities



777 S. State St.
 Orem, UT 84058

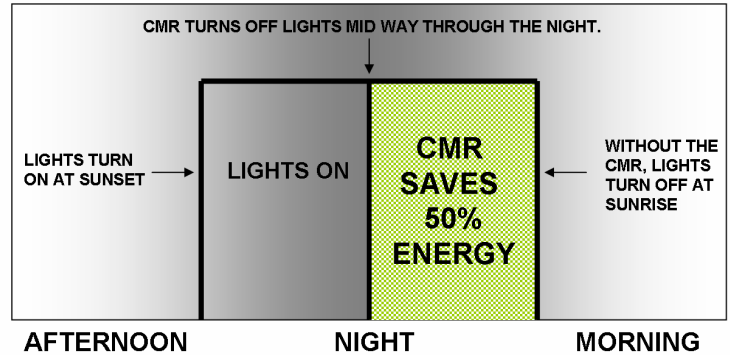
T: (801) 349-1200
 F: (801) 653-4257
 Sales@ILLUMRA.com
 Info@ILLUMRA.com
 www.ILLUMRA.com

Features

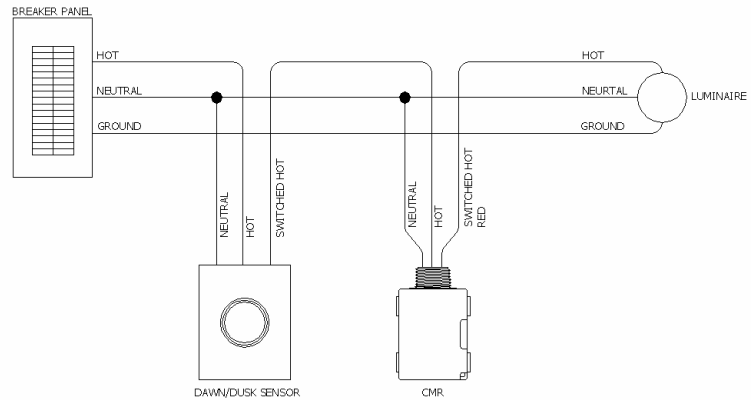
- Load shed for half of the night
- Self-calibrating astronomical timer
- No configuration
- 10 second Sequenced Turn On

Benefits

- Crazy 50% Energy Savings
- Crazy ROI in 1-3 years
- Reduce Light Pollution
- Extend equipment life



CONNECTION DIAGRAM



SPECIFICATIONS

	CMR-120-1000L CMR-120-1000H	CMR-240-1000L CMR-240-1000H	CMR-277-1000L CMR-277-1000H
Supply Voltage	120 VAC 50/60 Hz	240 VAC 50/60 Hz	277 VAC 50/60 Hz
Max Load Metal Halide Sodium Vapor Induction Fluorescent LED Other	1000L=300 W 1000H=950 W	1000L=300 W 1000H=1900 W	1000L=300 W 1000H=2200 W
Dimensions	2.11 x 1.73 x 1.09 in (54 x 44 x 28 mm)		
Operating Temperature	+14 to +122 F (-10 to +50 C)		
Storage Temperature	-4 to +176 F (-20 to +80 C)		
Approvals	UL 244A (safety) UL 2043 (plenum) CSA c22.2#14-05 (safety)		

This device or certain aspects thereof is protected by at least one U.S. or international patent or has at least one such patent application pending.

ILLUMRA is a trademark of Ad Hoc Electronics, LLC. Other trademarks herein are the property of their respective owners.