

# Leviton's OSP20-RDH/RNH Super Duty Power Pack

Combines transformer relay functions, occupancy sensor control, and manual/automatic operation into a single high performance unit



## DEFINITION

The OSP20-RDH/RNH is the latest in the Leviton power pack family, providing a wide array of switching solutions into a single unit. Exclusive Leviton H.I.S.™ circuitry is specifically designed to handle today's high inrush electronic ballast loads and offer unmatched durability and service..

## APPLICATIONS

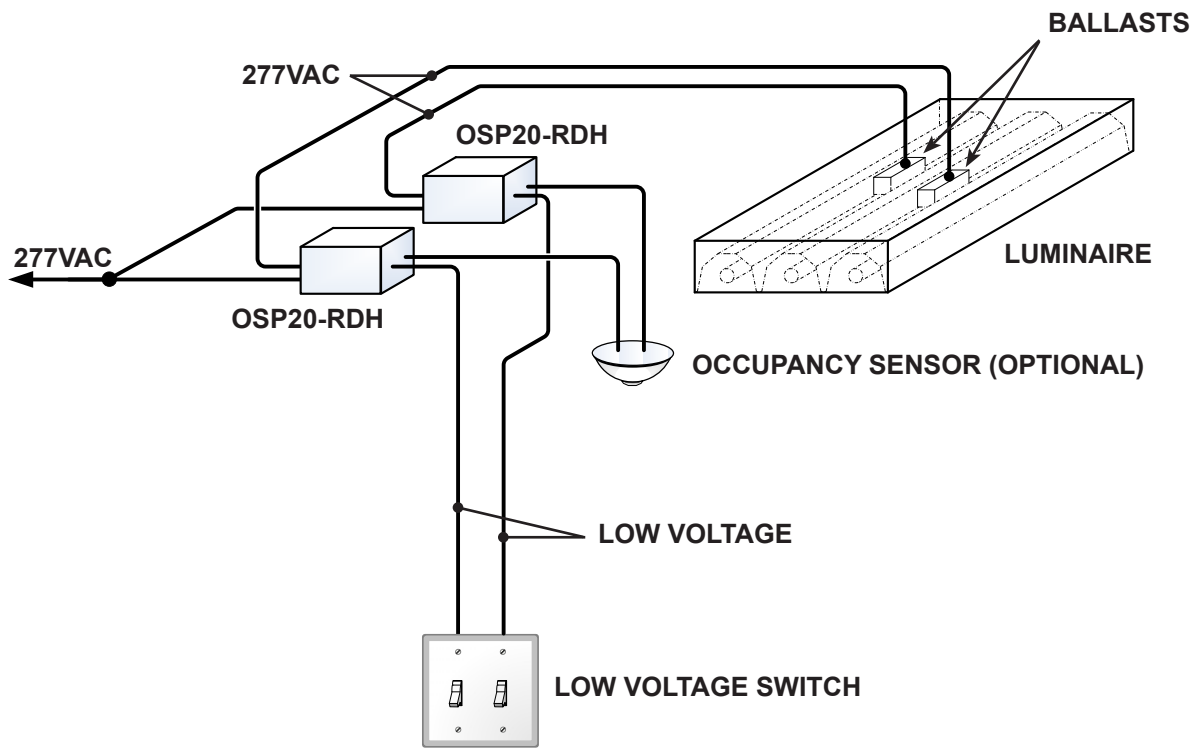
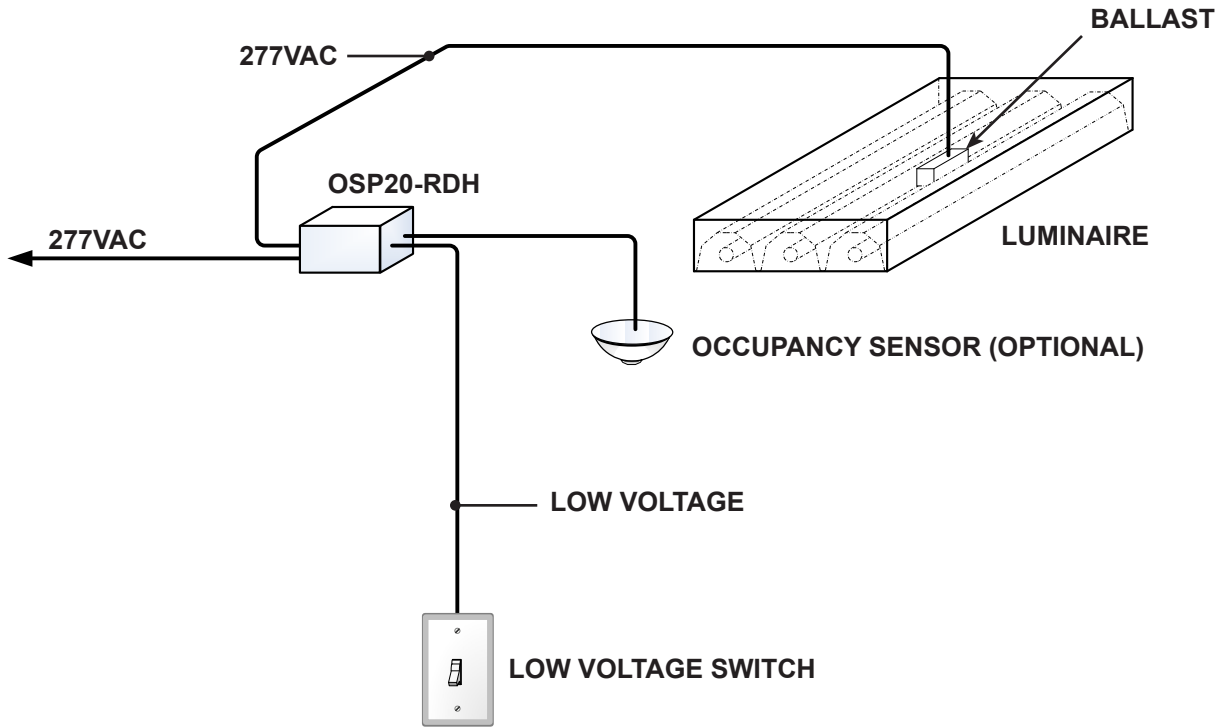
Use a Leviton Power Pack with Leviton Occupancy Sensors in the following applications.

- Bi-level lighting applications
- Class Rooms
- Conference Rooms
- Offices
- Load Shed/Interface Hold OFF Applications
- Retail Hold ON/Bypass Applications
- Anywhere optimal lighting and energy savings are desired

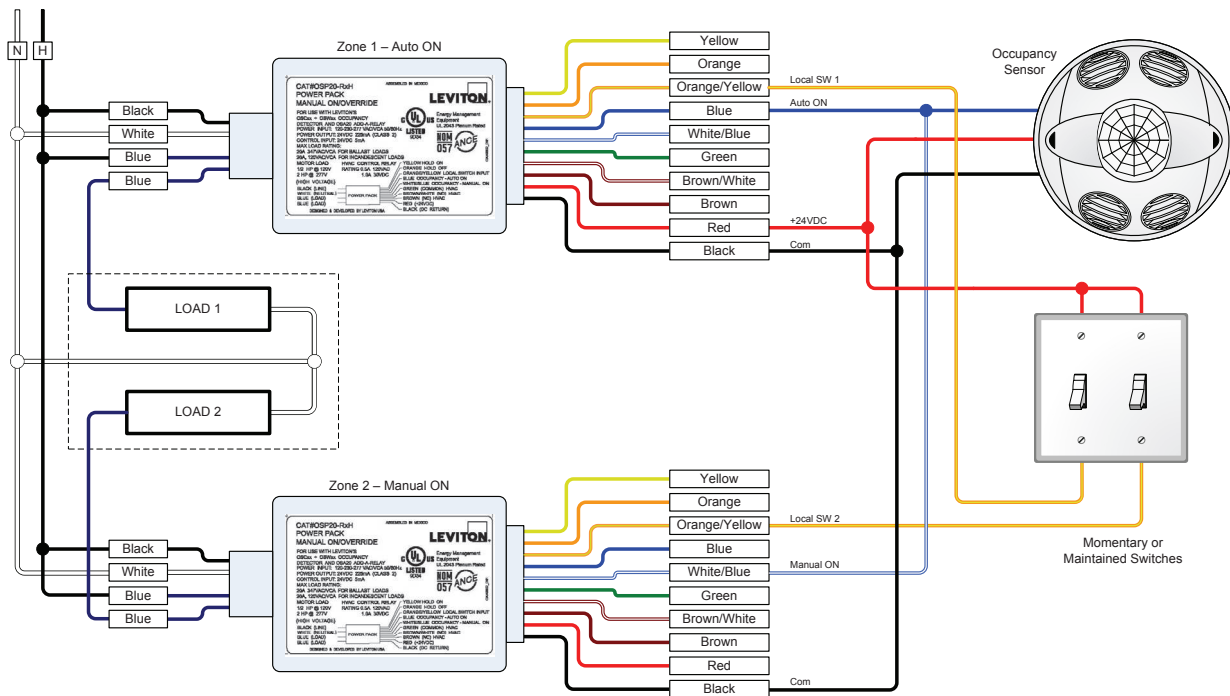
## FEATURES

- Extreme durability- exceeds Federal Specification WS-896 duty cycle requirements
- Exclusive H.I.S. (High Inrush Stability) circuit designed to handle high inrush electronic ballast loads, including the latest T5HO and T4 ballasts
- Return-to-on design provides fail safe operation in the event of power loss or malfunction
- Replaces transformer relays for switching where code requirements/jurisdictions prohibit the use of 277V switch legs
- Manual-ON or Automatic-ON functionality for use in bi-level lighting control per CEC Title 24 2009 requirements
- UL 2043 Plenum Rated
- Endurance tested to over 1,000,000 cycles at full load
- Integrates with low voltage momentary and maintained switches to control occupancy sensors
- Conduit adaptor included for low voltage connections

TRANSFORMER RELAY APPLICATION DIAGRAM



**BI-LEVEL SWITCHING DIAGRAM**



**OSP20-RDH • OSP20-RNH**

ORDERING INFORMATION

DESCRIPTION	CAT. NO.	POWER INPUT	RELAY RATING	CONTROL INPUT	POWER SUPPLY OUTPUT
Power Pack	OSP20-oDo (OSP20-ND0 NAFTA)	120-230-277VAC, 50/60 Hz	20A fluorescent/incandescent @ 120V, 20A fluorescent @ 230-277V; 1HP @ 120V, 2HP @ 240V	5mA, 24VDC	150mA, 24VDC
Power Pack with HVAC Relay	OSP20-RDo (OSP20-NH0 NAFTA)	120-230-277VAC, 50/60 Hz	20A fluorescent/incandescent @ 120V, 20A fluorescent @ 277V; 1HP @ 120V, 2HP @ 240V; HVAC: 0.5A @ 120VAC, 1A @ 30VDC	5mA, 24VDC	5mA, 24VDC
Power Pack with HVAC Relay	OSP15-R30	347VAC, 60 Hz	15A fluorescent @ 347V; 1HP @ 120V, 2HP @ 240V; HVAC: 0.5A @ 120VAC, 1A @ 30VDC	5mA, 24VDC	120mA, 24VDC
Add-A-Relay Unit with HVAC Relay	OSA20-R00 (OSA20-RN0 NAFTA)	—	15A incandescent @ 120V, 20A fluo- rescent @ 120V, 20A fluorescent @ 277V, 15A fluorescent @ 347V; HVAC: 0.5A @ 120VAC, 1A @ 30VDC	5mA, 24VDC	—
Power Pack with HVAC Relay with Auto-ON and Manual-ON Inputs for Occupancy Sensors	OSP20-RDH (OSP20-RNH NAFTA)	120-230-277VAC, 50/60Hz	20A incandescent @ 120V, 20A fluorescent @ 120-230-277/347VAC; 1/2HP @ 120V, 2HP @ 240-277V; HVAC: 0.5A @ 120VAC, 1A @ 30VDC	5mA, 24VDC	255mA, 24VDC

\* Consult factory for 208, 220, and 240V models.

POWER PACK CAPACITY FORMULA

Leviton power packs can be used to provide power to one or more occupancy sensors. Since current consumptions of occupancy sensors may vary, the best way to ensure you order the correct number of power packs and add-a-relays is by using this formula:

$$\begin{array}{|c|} \hline \# \text{ of sensor} \\ \text{Model As} \\ \times \\ \hline \text{Sensor A current} \\ \text{consumption rating} \\ \hline \end{array}
 +
 \begin{array}{|c|} \hline \# \text{ of sensor} \\ \text{Model Bs} \\ \times \\ \hline \text{Sensor B current} \\ \text{consumption rating} \\ \hline \end{array}
 +
 \begin{array}{|c|} \hline \# \text{ of Add a} \\ \text{Relays} \\ \times \\ \hline 50\text{mA} \\ \hline \end{array}
 < 150\text{mA per power pack}$$



DESCRIPTION	CURRENT CONSUMPTION
OSC04-I, OSC15-I, OSWHB-I, OSWLR-I, OSWWV-I	20mA
OSC05-M, OSC05-U, OSW12-M	30mA
OSC10-M, OSC10-U	30mA
OSC20-M, OSC20-U	40mA
OSA20-R00 Add-a-Relay	50mA

OSP20-RDH • OSP20-RNH

**Leviton Manufacturing Co., Inc. Lighting Management Systems**

20497 SW Teton Avenue, Tualatin, OR 97062  
 Telephone: 1-800-736-6682 • FAX: 503-404-5594 • Tech Line (6:00AM-4:00PM P.S.T. Monday-Friday): 1-800-959-6004

**Leviton Manufacturing of Canada, Ltd.**

165 Hymus Boulevard, Pointe Claire, Quebec H9R 1E9 • Telephone: 1-800-469-7890 • FAX: 1-800-563-1853

**Leviton S. de R.L. de C.V.**

Lago Tana 43, Mexico DF, Mexico CP 11290 • Tel. (+52) 55-5082-1040 • FAX: (+52) 5386-1797 • www.leviton.com.mx

Visit our Website at: [www.leviton.com/lms](http://www.leviton.com/lms)

© 2009 Leviton Manufacturing Co., Inc. All rights reserved. Subject to change without notice.