

The ILLUMRA™ Shade Controller enables manual and automated control of motorized window shades and blinds using self-powered wireless light switches and sensors. A single Shade Controller can control two different shade motors.

Easy-To-Use

- Installs in minutes
- Easy configuration
- Requires no switch leg wires

Reliable Range

- 50-150 foot range
- Communicates with ILLUMRA switches
- Error checking ensures response only to appropriate wireless switches
- A single transmitter can control unlimited Shade Controllers within range
- Repeaters available for added range

Save Energy, Time, and Money

Avoid costly and time-consuming installation of hardwired switches. Conserve energy and save money by choosing ILLUMRA switches, sensors, and receivers!



Natural Lighting Control

- Motorized shade control
- Motorized blind control
- Daylighting
- Motorized projection screens

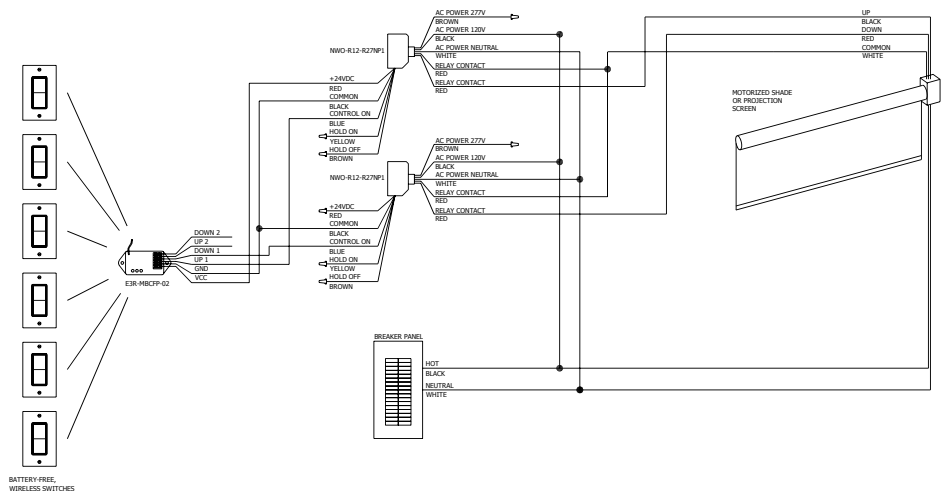
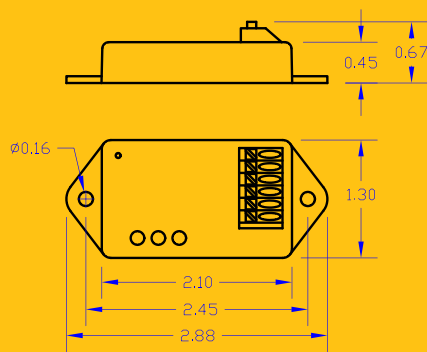
Simple Wireless Control Systems

Control the Shade Controller with a variety of devices:

- Self-powered wireless light switches
- Wireless light sensors
- Wireless or wired occupancy sensors
- More

E3R-MBCFP-02	
Range	50-150 feet
Power Supply Input Rating	8-30 VDC, 40 mA + Loads
Output Rating	30 VDC max, 100 mA max each output
Output Channels	2 solid state push/pull, DC
Operating Temperature	-13°F to 140°F
Storage Temperature	-40°F to 140°F
Dimensions	2.88"(W) x 1.30"(H) x 0.67"(D) 7.32cm x 3.30cm x 1.70cm
Antenna	attached whip antenna (5.85")
Radio Certifications	FCC (United States) SZV-TCM2XXC I.C. (Canada) 573A-TCM2XXC

Network Diagram



777 S. State St.
Orem, UT 84058

T: (801) 349-1200
F: (801) 653-4257
Sales@ILLUMRA.com
Info@ILLUMRA.com
www.ILLUMRA.com

This device or certain aspects thereof is protected by at least one U.S. or international patent or has at least one such patent application pending.