

THIS INFORMATION IS CONFIDENTIAL AND PROPRIETARY TO CW INDUSTRIES INCORPORATED AND ITS AFFILIATES.  
 IT MAY NOT BE DISCLOSED TO ANYONE, OTHER THAN CW INDUSTRIES PERSONNEL, WITHOUT WRITTEN  
 AUTHORIZATION FROM CW INDUSTRIES INCORPORATED, SOUTHAMPTON, PENNSYLVANIA USA.

DIMENSIONS IN INCHES (MILLIMETERS)  
 DO NOT SCALE DRAWING .....

Dwg. No.

**GCL-536A-0100**

**SPECIFICATIONS MATERIALS:**

ELECTRICAL RATING - 1A. 125V.A.C.  
 3A. 14-24V.D.C.

MECHANICAL PERFORMANCE - 30,000 Cycles minimum at Rated Load.

TERMINAL - Copper Alloy CDA 260, .100 Sn (min.) Over .000050 Ni (min.)

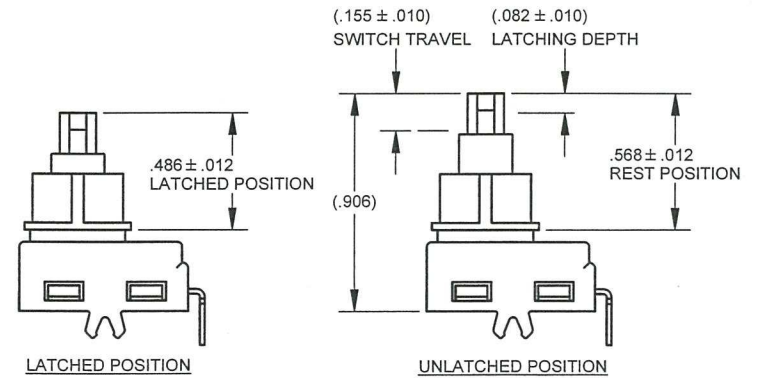
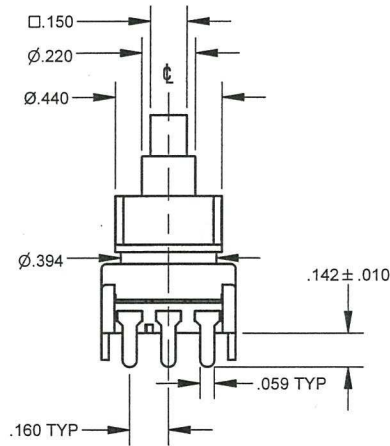
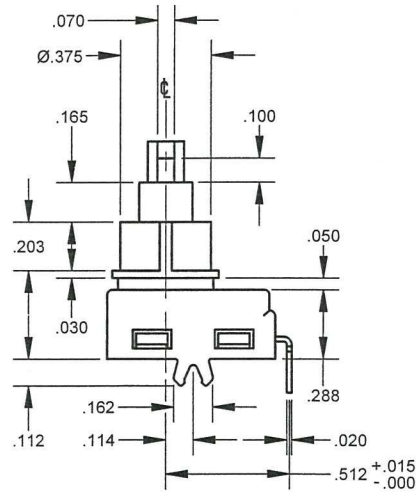
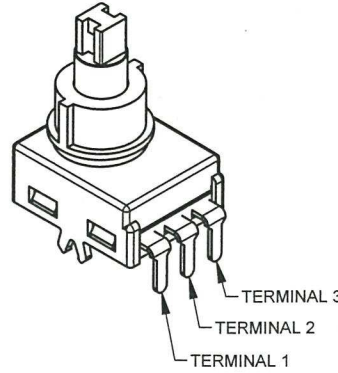
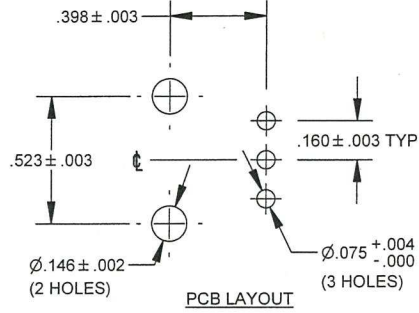
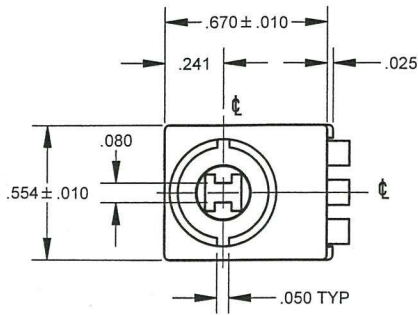
OPERATING FORCE - 15 - 22 oz. Typical, 4.2 - 6.1 Newtons Typical

VOLTAGE DROP - .030V MAX @ .7A

WAVE SOLDER TIME & TEMPERATURE

PREHEAT TEMPERATURE - Recommended not to exceed 130°C for 90 seconds

SOLDERING TEMPERATURE - Not to exceed 255°C



ELECTRICAL FUNCTION	
ACTUATOR POSITION	TERMINAL CONNECTION
REST	1 & 2
LATCHED	2 & 3

1 2 3 4 5 6 7 8 9 10

B-FORMAT 2010 REVISIONS NEW JRB 7-26-2012		<b>CW INDUSTRIES</b> Southampton, Pa. 18966 <small>TOLERANCES UNLESS OTHERWISE SPECIFIED</small> 2 Place Decimal ± .010 METRIC 3 Place Decimal ± .005 1 Place Dec. ± .25mm Angles ..... ± 1' 2 Place Dec. ± .13mm	Title: <b>S.P.D.T          PUSH BUTTON          LATCHING SWITCH</b> Division: SWITCH Dwg. No. <b>GCL-536A-0100</b>
		Made for: CW IND Drawn by: JRB 7-26-2012 Checked by: <i>Joseph Barber 7/26/12</i> Approval: <i>[Signature]</i> 7/26/12	

MASTER